

ASSEMBLY INSTRUCTION**4XHOL or R**

THREE WAY DIVERTER WITH SHARED OUTLETS IN BETWEEN FUNCTIONS

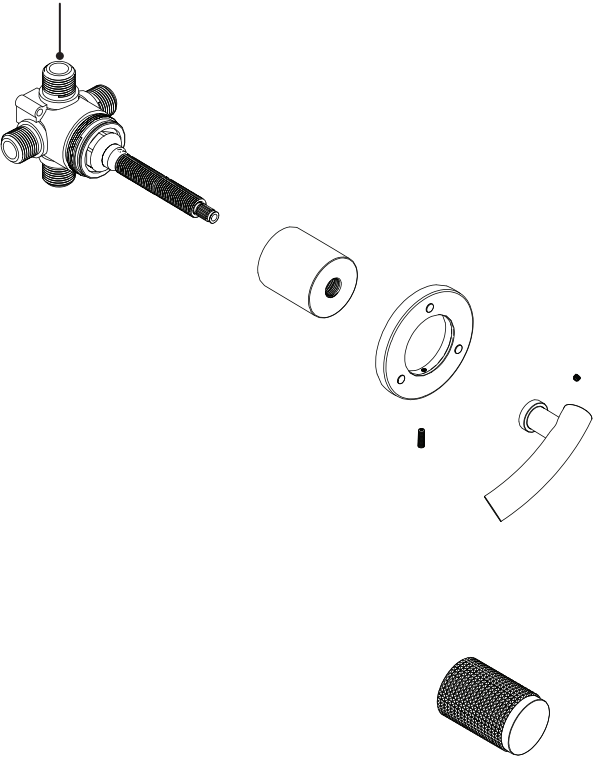
**4XHOL****4XHOR****REMOVAL OF FIXTURE:**

Always turn the water supply off before removing the existing fixture or disassembling a valve. Open all fixture handles to relieve water pressure and to ensure that the water has been successfully turned off.

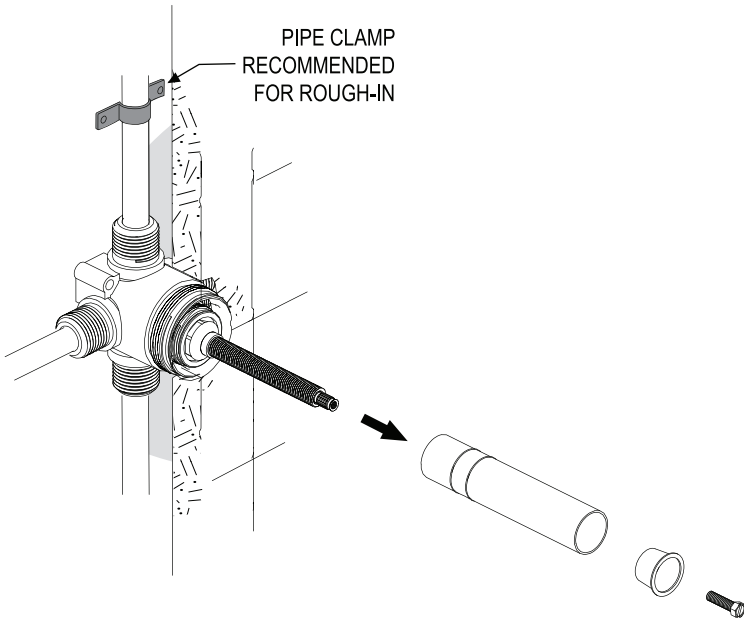
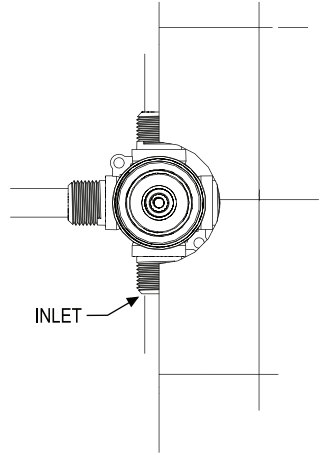
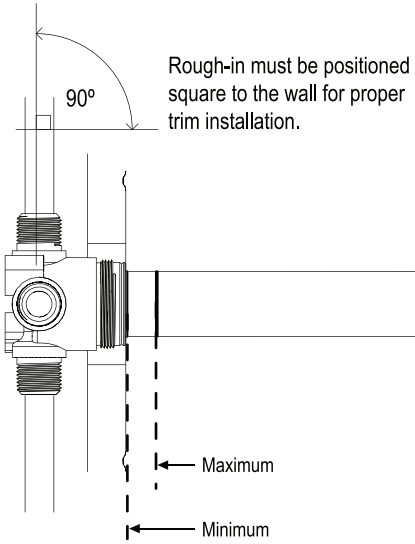
CARE OF FIXTURE:

The use of warm water and a soft cloth is all that is required to clean Rubinet products. The patina of our living finishes (Oil Rubbed Bronze & Tuscan Brass) will change as a result of normal use. Applying Mineral Oil on occasion will create a softer look, subtle color changes and character.

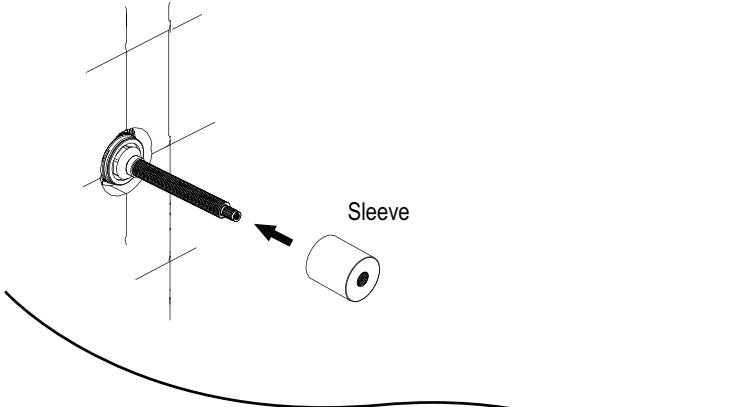
4XR000
Rough-In Valve



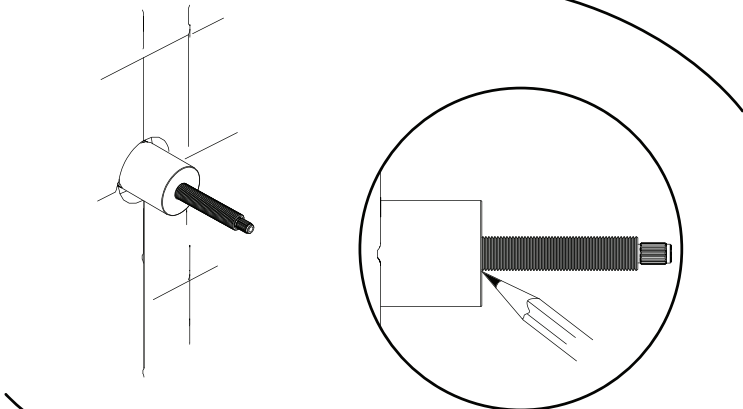
1



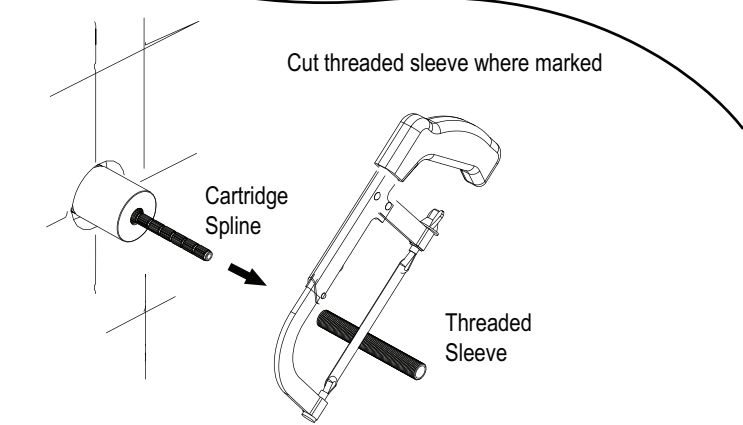
2



Sleeve



Mark threaded sleeve

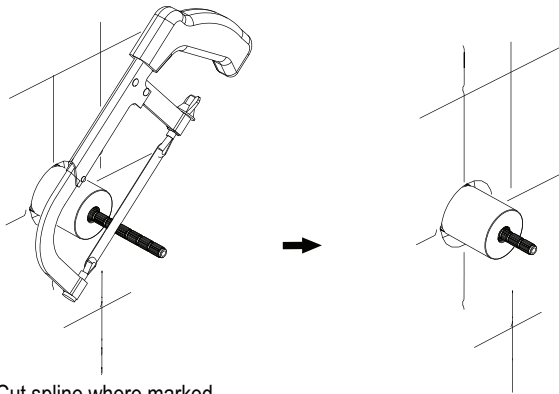
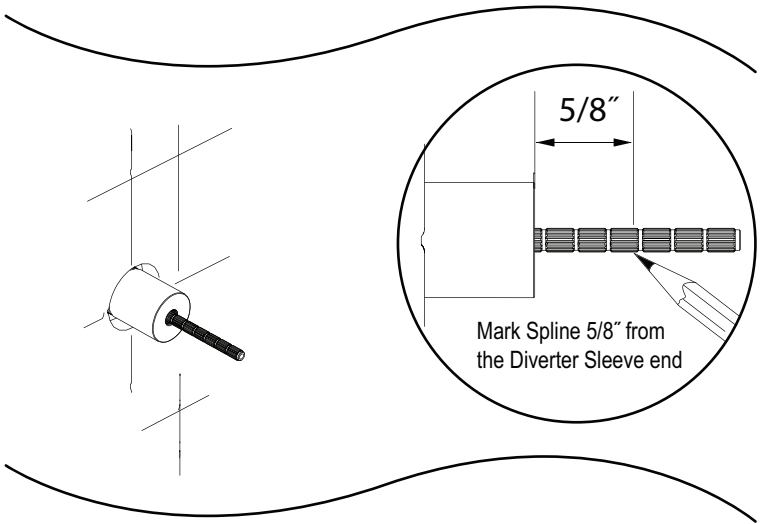
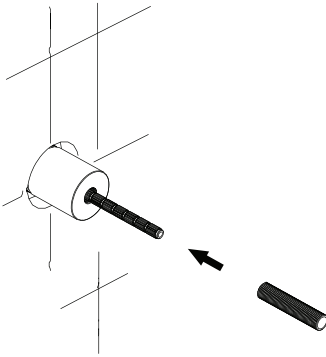


Cut threaded sleeve where marked

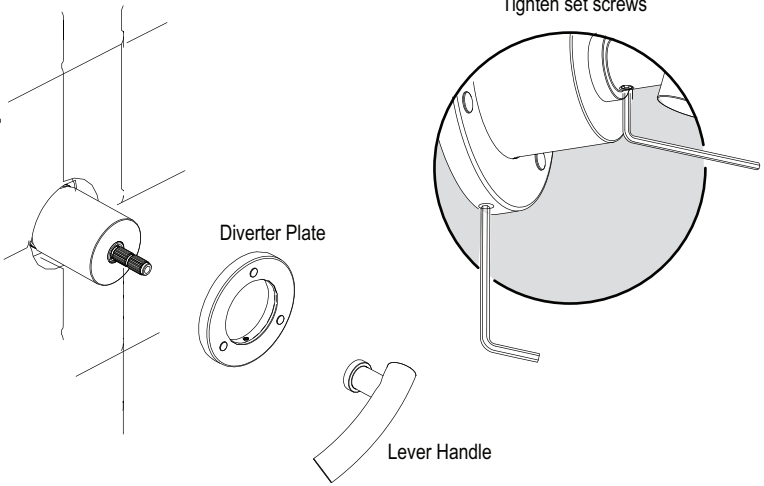
Cartridge Spline

Threaded Sleeve

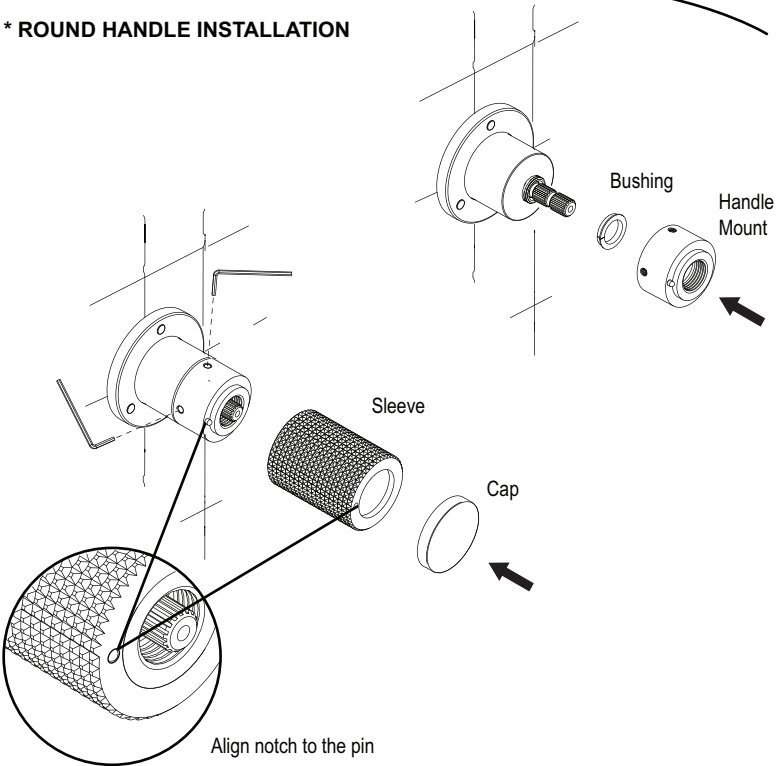
3

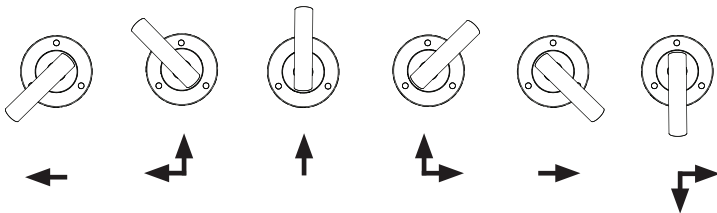
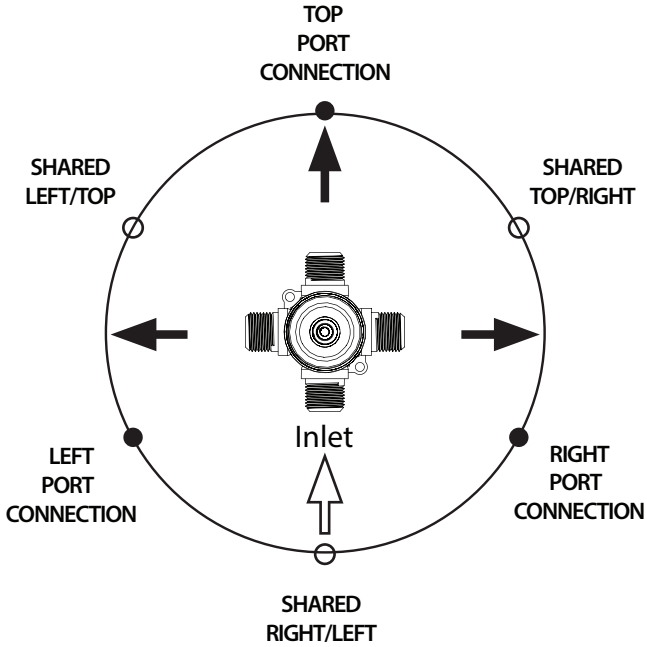


Cut spline where marked



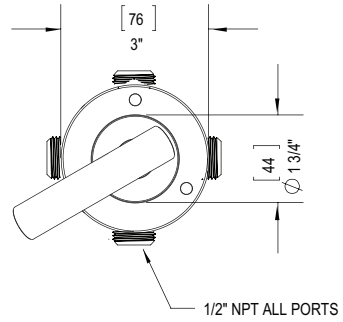
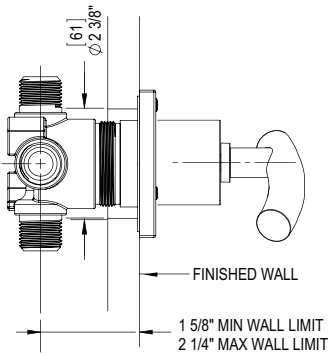
*** ROUND HANDLE INSTALLATION**





FEATURES:

- Brass construction with choice of 21 finishes
- Single handle control
- 4-Port 3 Way diverter valve
- Shared outlets in between functions

**CONTACT US:**

If you need assistance with installation, replacement parts or have any questions regarding your Rubinet product, please call a Customer Service representative at: **905-851-6781 toll free 1-800-461-5901** or visit **www.rubinet.com**
