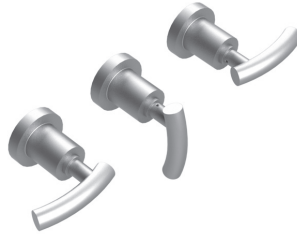
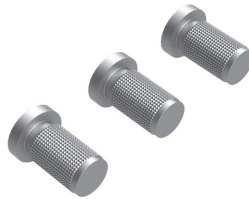


**ASSEMBLY INSTRUCTION****2AHOL or R**

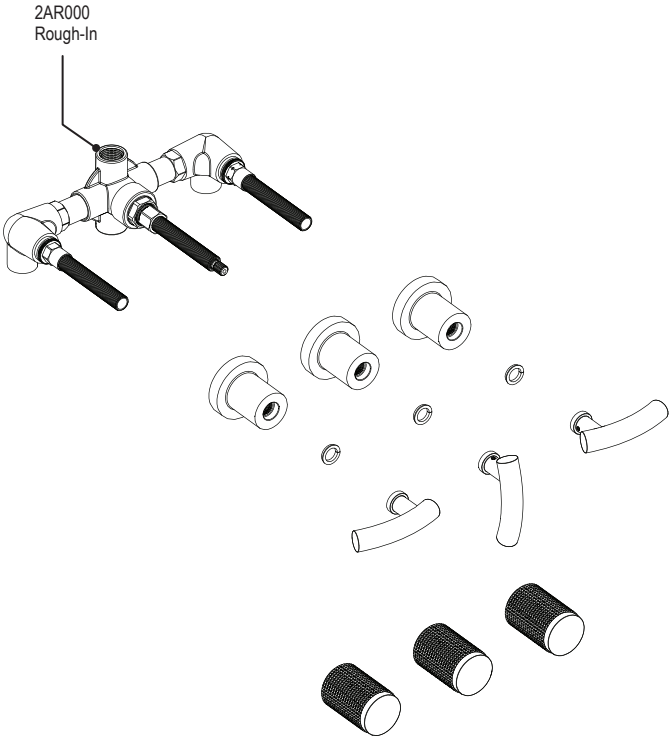
THREE VALVE TUB &amp; SHOWER

**2AHOL****2AHOR****REMOVAL OF FIXTURE:**

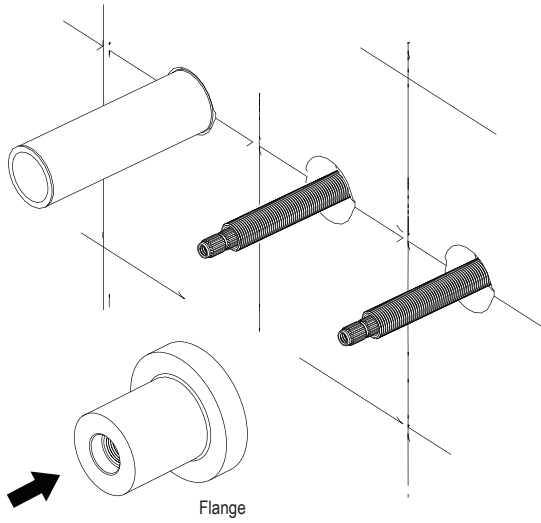
Always turn the water supply off before removing the existing fixture or disassembling a valve. Open all fixture handles to relieve water pressure and to ensure that the water has been successfully turned off.

**CARE OF FIXTURE:**

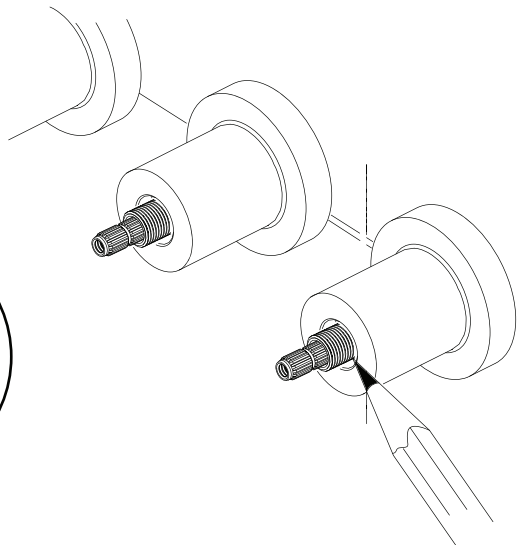
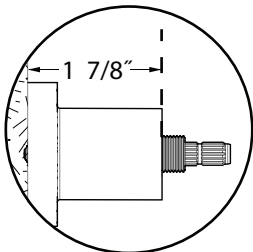
The use of warm water and a soft cloth is all that is required to clean Rubinet products. The patina of our living finishes (Oil Rubbed Bronze & Tuscan Brass) will change as a result of normal use. Applying Mineral Oil on occasion will create a softer look, subtle color changes and character.



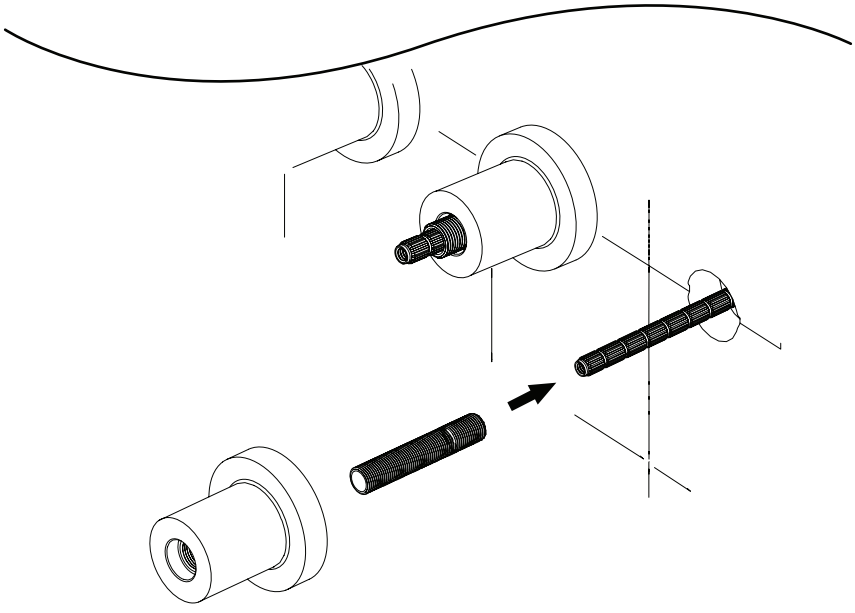
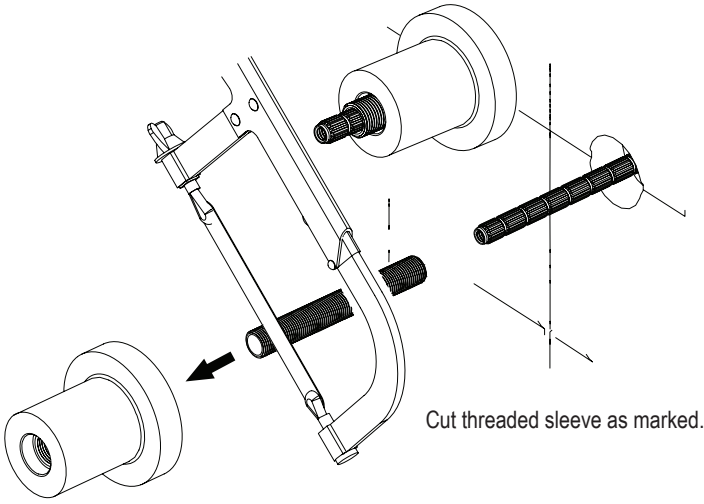
1



**MUST CUT FLUSH  
TO THE FLANGE TRIM**  
\* 1 7/8" (47.5mm)  
from the finished wall

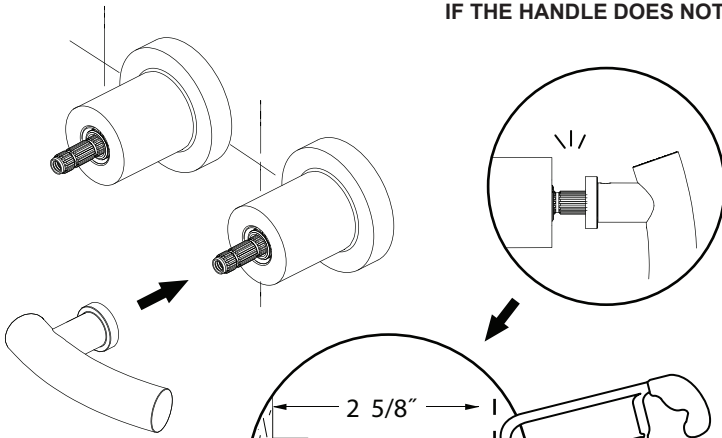


2

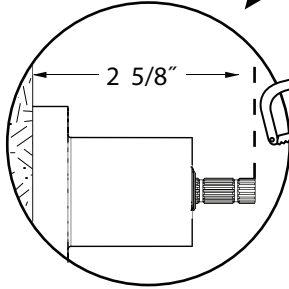


3

IF THE HANDLE DOES NOT FIT

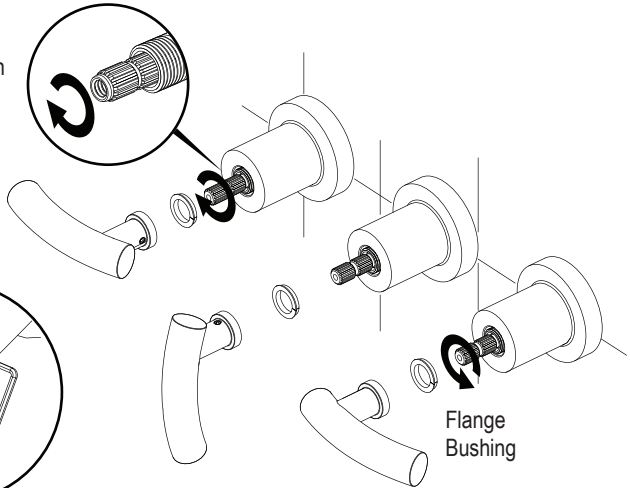


Place handle on the spline.



CUT THE SPLINE TO FIT  
\* 2 5/8" (66.5mm)  
from the finished wall

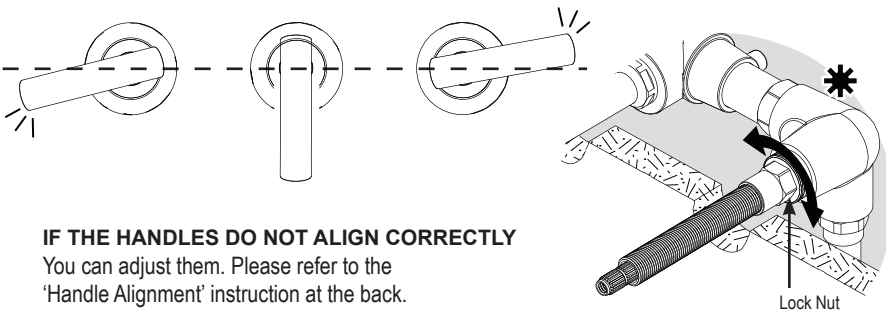
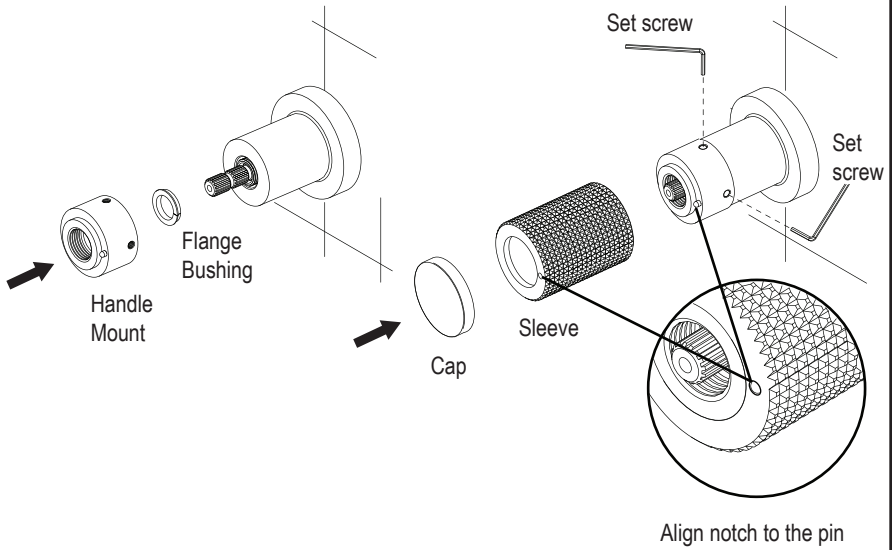
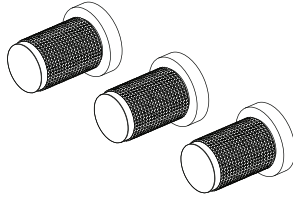
Turn each cartridge splines into **OFF** position before installing handles



Tighten set screws to secure

Flange  
Bushing

### ROUND HANDLE INSTALLATION



**IF THE HANDLES DO NOT ALIGN CORRECTLY**  
You can adjust them. Please refer to the 'Handle Alignment' instruction at the back.

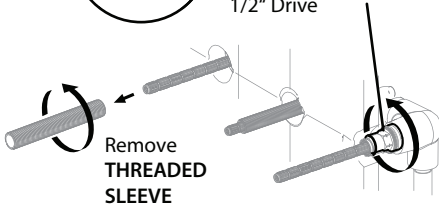
5

## HANDLE ALIGNMENT (2A)

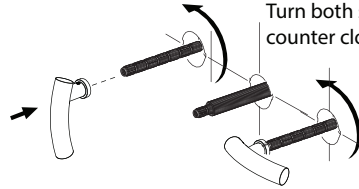
1



**LOCK NUT**  
Loosen the lock nut using  
**\* 17mm Deep Socket.**  
1/2" Drive

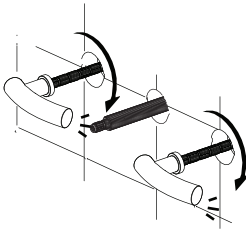


2



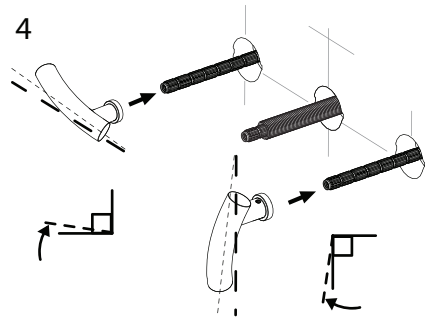
Use Handles to  
unscrew cartridge.  
Turn both splines  
counter clock-wise.

3



Once cartridge valves are loose, screw them  
back into the faucet using the handle.  
Stop when you feel a noticeable resistance.  
Then remove handles.

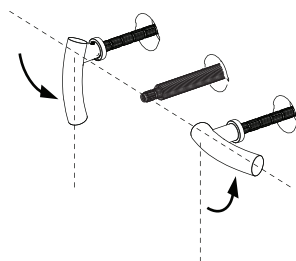
4



Replace Left Handle (hot) **one tooth off**  
from the **OFF** position as shown.

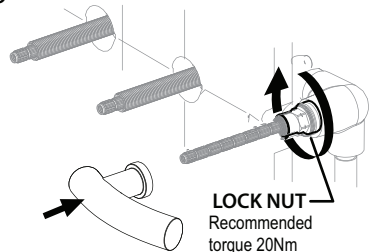
And Right Handle (cold) **one tooth off**  
from the **ON** position as shown.

5



Turn the handles to the desired alignment.  
(This will unscrew the cartridge)  
This adjustment should not be more than 25°.

6



Tighten Lock Nut using **17mm Deep Socket**  
wrench to secure cartridge valve position.

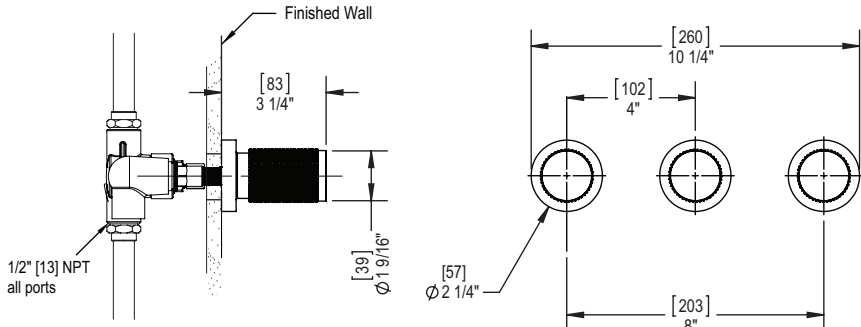
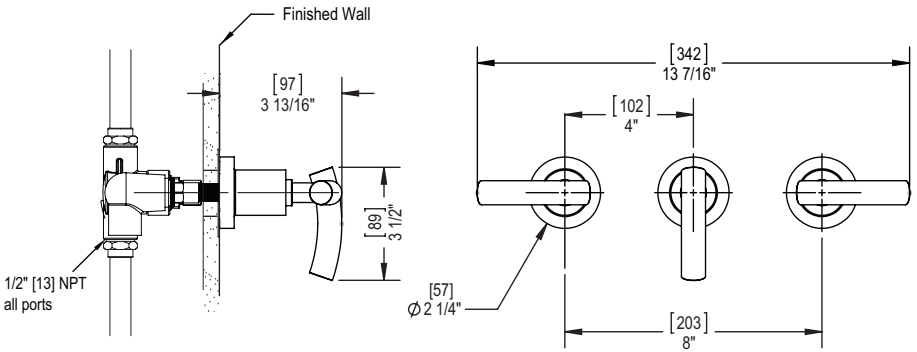
\*Use handle to hold spline while tightening.

**FEATURES:**

- Brass construction with choice of 21 finishes
- Two Lever or Round handles, diverter (Lever or Round)
- Quarter turn Ceramic Disk cartridges
- Flow Rate  
Shower : 7.0 gpm @ 50 psi  
Tub : 7.0 gpm @ 50 psi

**APPROVAL:**

- AB1953 / NSF61
- ASME A 112.18.1
- CSA B125.1



**CONTACT US:**

If you need assistance with installation, replacement parts or have any questions regarding your Rubinet product, please call a Customer Service representative at: 905-851-6781 toll free 1-800-461-5901 or visit [www.rubinet.com](http://www.rubinet.com)