

# Oxby™ Technical Specification

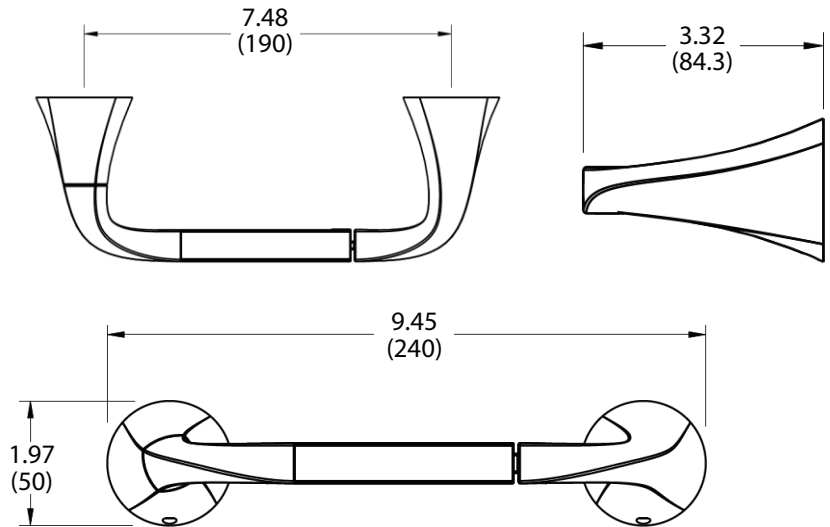
## Pivoting Paper Holder

# Y1208

### Stock Numbers:

- Y1208BN – Pivoting Paper Holder  
Brushed Nickel Finish

### Dimensions:



### Materials:

Pivoting Paper Holder is constructed of zinc.

### Installation Instructions:

Tools Required: Phillips screwdriver, drill, 1/4" drill bit, hammer, level, tape  
Hardware Kit Contents: 2 anchors, 1 hex wrench.

Note: Directions below are for installation into drywall. If installing product into a stud, use the wood screws only.

- 1) Remove mounting posts from the product assemblies by loosening each setscrew.
- 2) Position the mounting plate on the wall in the desired location and mark holes at the Horizontal screw location on the template if installing into drywall or vertical screw location if installing into a stud.
- 3) Drill 1/4" pilot holes in marked locations.
- 4) Lightly tap anchors until flush with the wall.
- 5) Place each mounting plate over anchors and insert screws through post into anchors.
- 6) Tighten screws.
- 7) Place posts over the mounting plates with setscrew facing down and tighten setscrew.

### Cleaning Instructions:

To preserve the fine finish of this product, clean only with a soft damp cloth. Dry well. Do not use commercial or abrasive cleaners.

**Stock Number: Y1208 Pivoting Paper Holder**

25300 AL MOEN DRIVE • NORTH OLMSTED, OH 44070  
CORPORATE HEADQUARTERS: (800) 321-8809 • FAX: (800) 848-6636  
INTERNATIONAL: (440) 962-2000 • FAX: (440) 962-2726  
CUSTOMER SERVICE (USA): 800-882-0116 • FAX: (888) 379-2720  
WWW.MOEN.COM

© 2018 Moen Incorporated. Moen is a registered trademark and Oxby is a trademark of Moen Incorporated. All rights reserved.

# MOEN®