

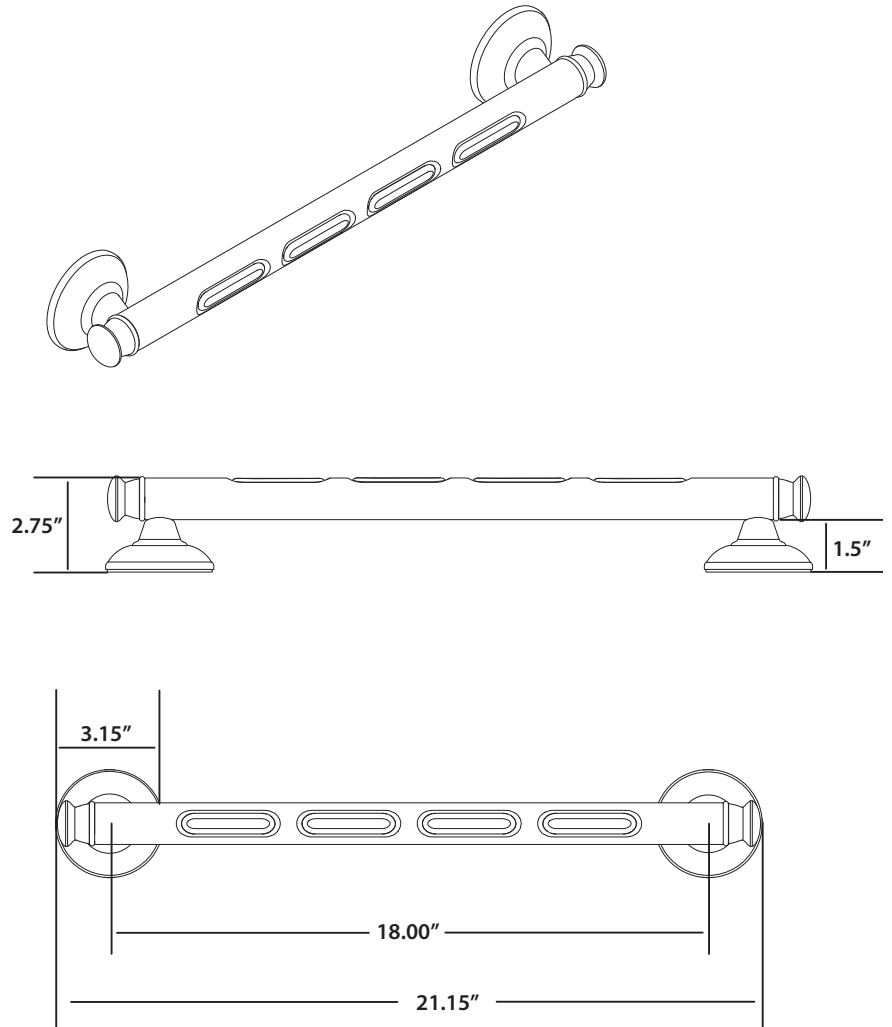
# Technical Specification

Glow-In-The-Dark Grab Bar with Press and Mark MLR8718D4G

## Stock Numbers:

- MLR8718D4GBN – 18" Glow-In-The-Dark Grab Bar with Press and Mark Brushed Nickel Finish, 1-1/4" Bar

## Dimensions:



## Materials:

1-1/4" Grab Bar rods are formed from Type 304 stainless steel tubing.

## Cleaning Instructions:

To preserve the fine finish of this product, clean only with a soft damp cloth. Dry well. Do not use commercial or abrasive cleaners.

**Stock Number:** \_\_\_\_\_ Glow-In-The-Dark Grab Bar  
By Moen Incorporated

# MOEN®

25300 AL MOEN DRIVE • NORTH OLMSTED, OH 44070  
CONSUMER SUPPORT: (800) 289-6636 • FAX: (800) 848-6636  
INTERNATIONAL: (440) 962-2000 • FAX: (440) 962-2726  
CUSTOMER SERVICE (USA): 800-882-0116 • FAX: (888) 379-2720  
WWW.MOEN.COM  
© 2018 Moen Incorporated.