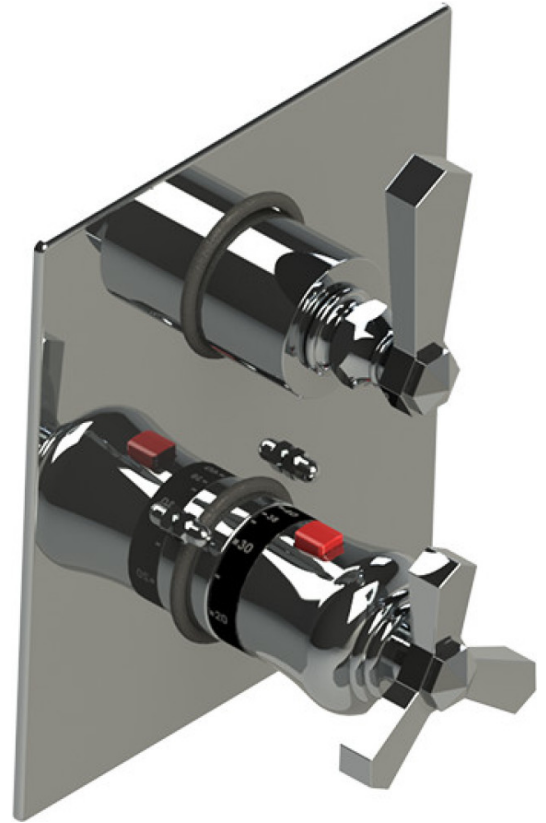


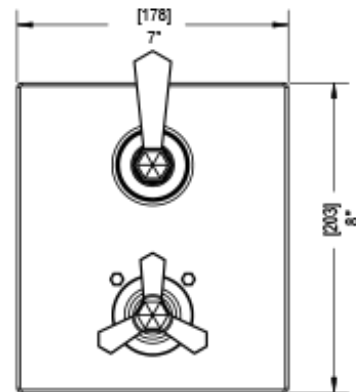
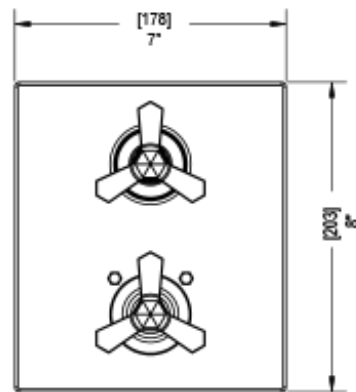
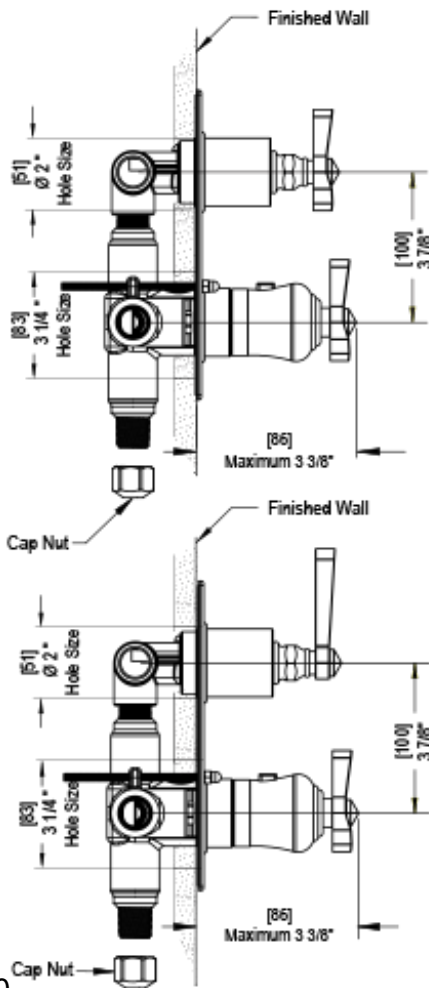
27HXLCHCH

Specifications





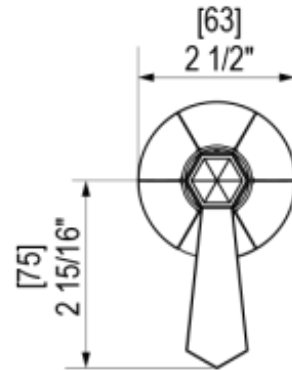
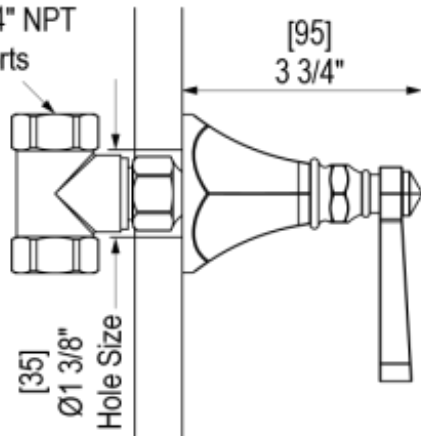
TEMPERATURE CONTROL VALVE WITH STOPS & TWO WAY DIVERTER WITH SHUT-OFF TRIM ONLY



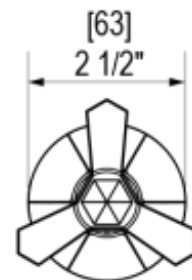
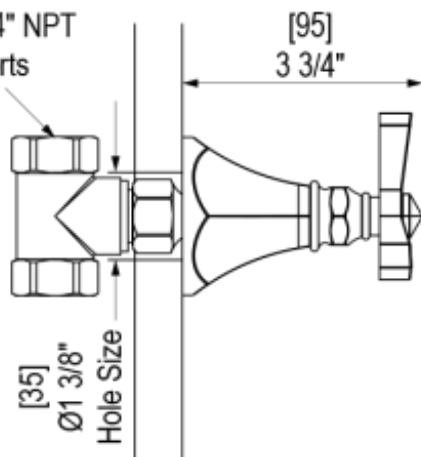


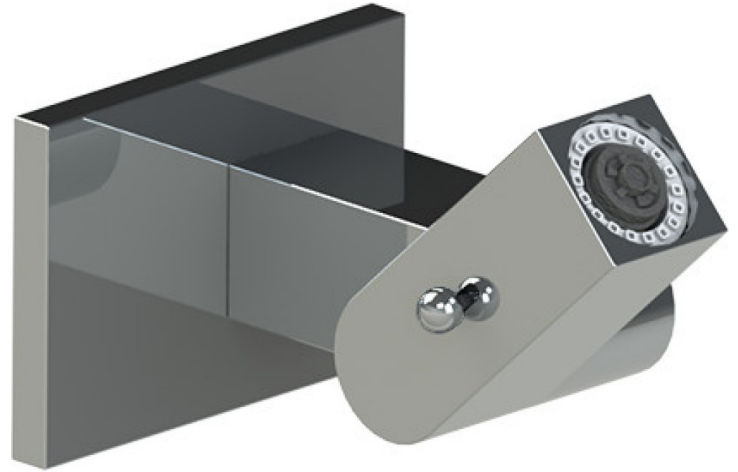
VOLUME CONTROL VALVE TRIM ONLY

4KR100-1/2" NPT
4KR300-3/4" NPT
both ports

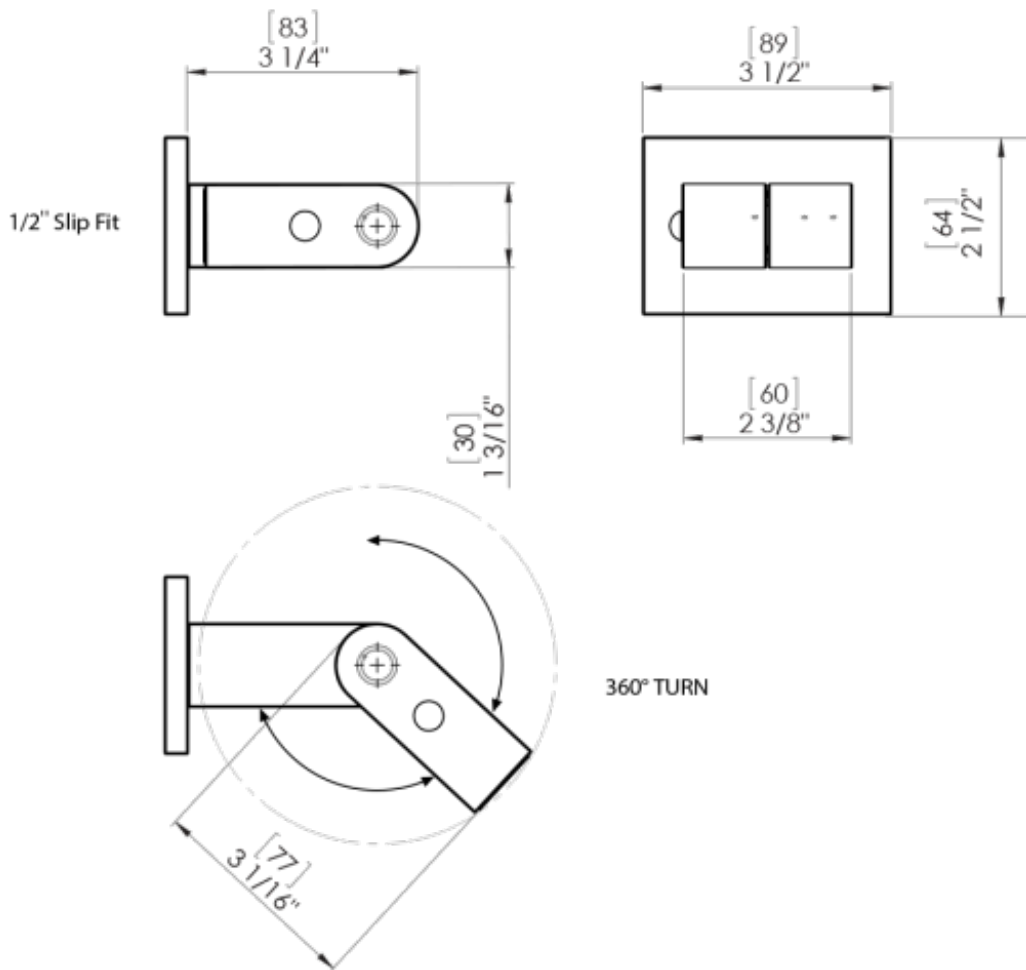


4KR100-1/2" NPT
4KR300-3/4" NPT
both ports



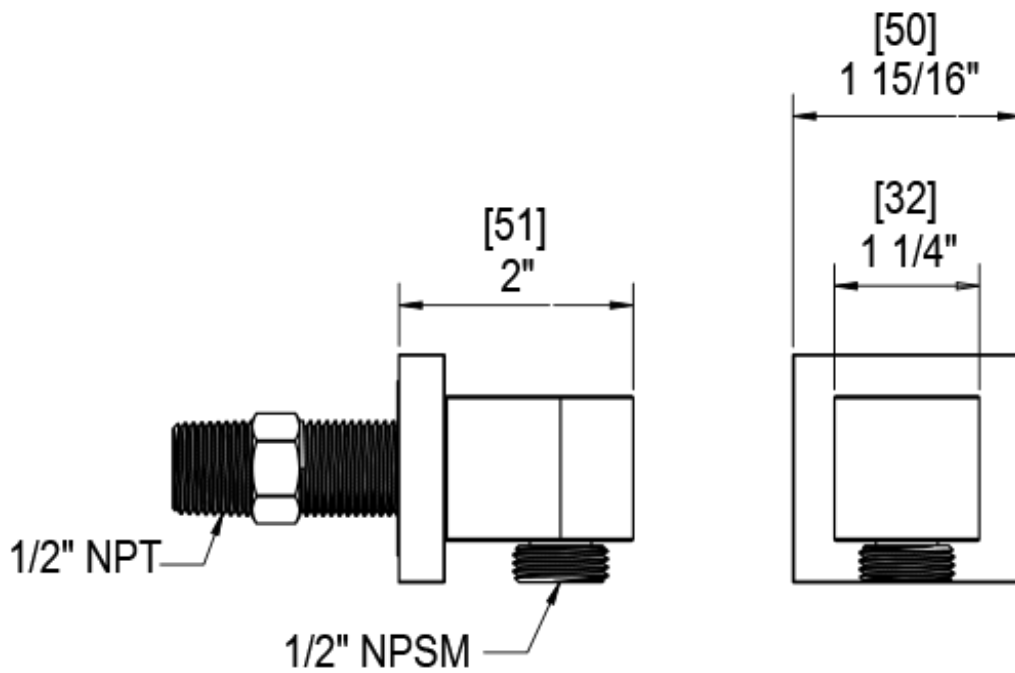


WALL MOUNT BIDET & FOOT RINSE WITH DUAL FUNCTION SPRAY





INTEGRAL SUPPLY WITH 1/2" NPT X 1/2" NPSM X 3" NIPPLE





8" SHOWER HEAD WITH WALL MOUNT 12" SHOWER ARM & FLANGE

