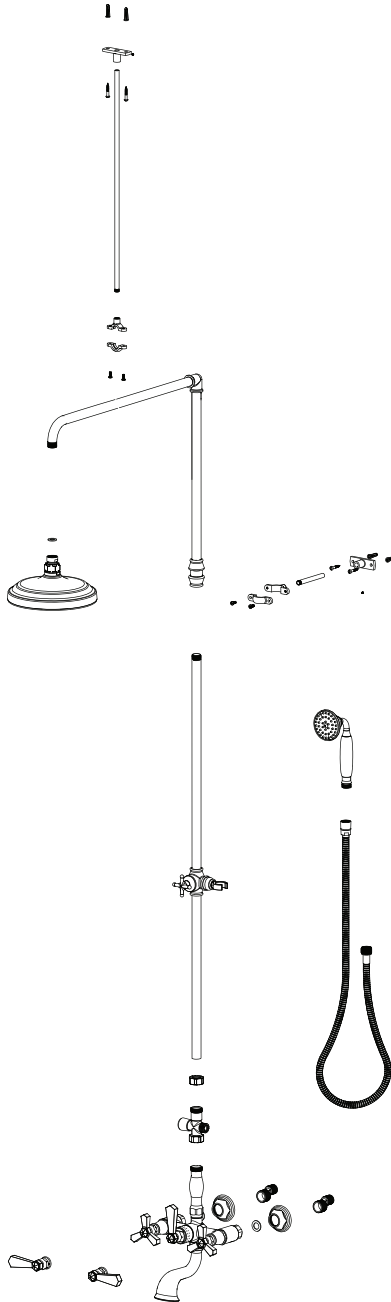


ASSEMBLY INSTRUCTION**2WHXL or C****WALL MOUNT TUB & SHOWER WITH HAND HELD SHOWER****2WHXL****2WHXC****REMOVAL OF FIXTURE:**

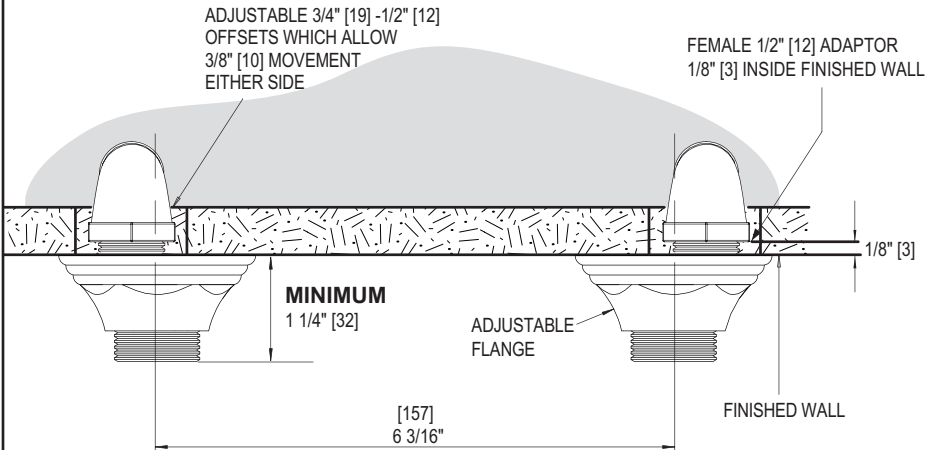
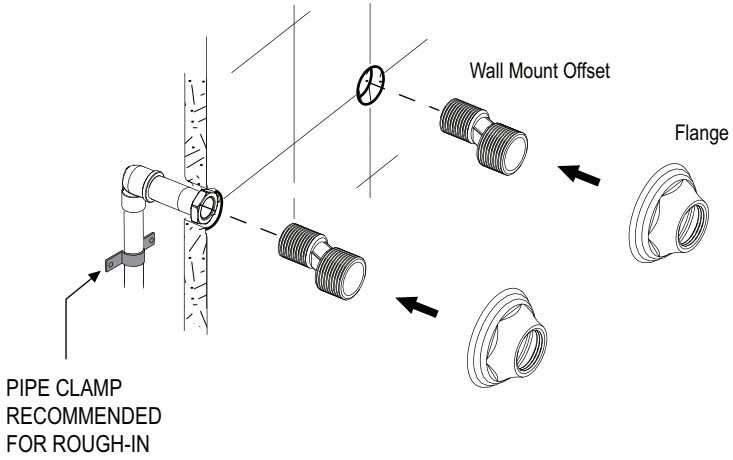
Always turn the water supply off before removing the existing faucet or disassembling a valve. Open both faucet handles to relieve water pressure and to ensure that the water has been successfully turned off.

CARE OF FIXTURE:

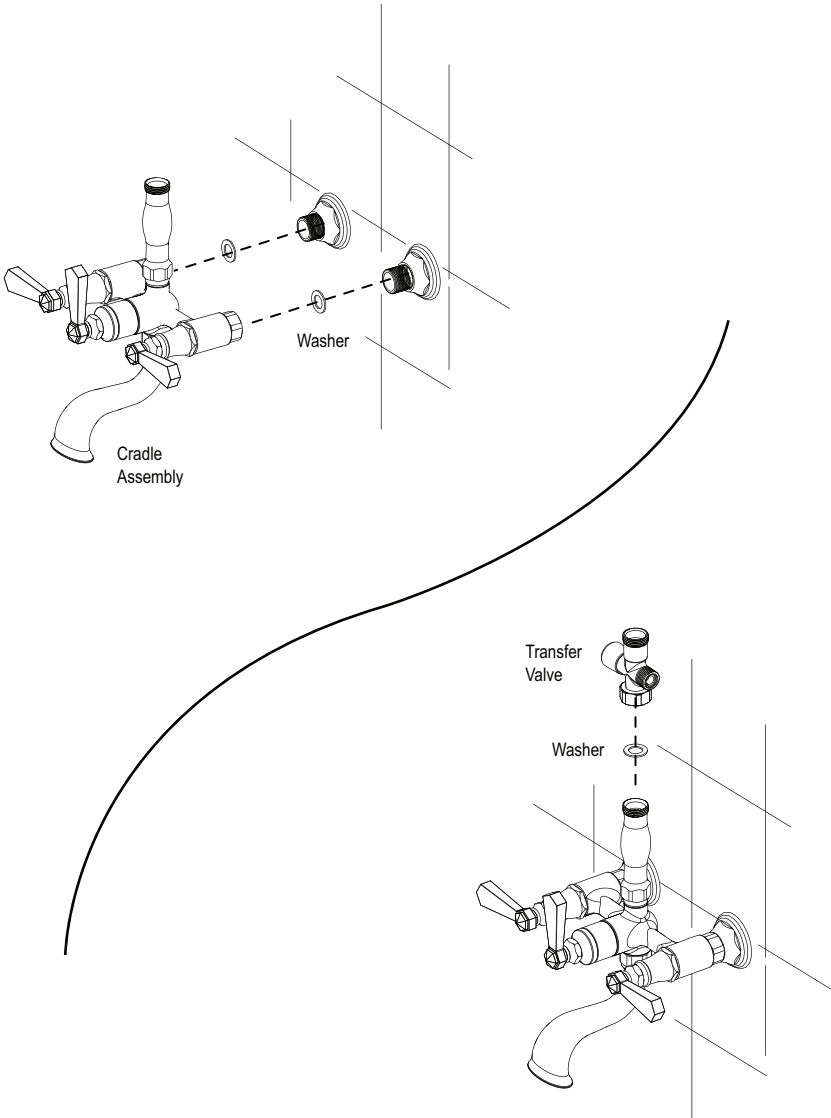
The use of warm water and a soft cloth is all that is required to clean Rubinet products. The patina of our living finishes (Oil Rubbed Bronze & Tuscan Brass) will change as a result of normal use. Applying Mineral Oil on occasion will create a softer look, subtle color changes and character.



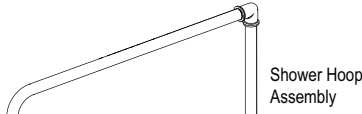
1



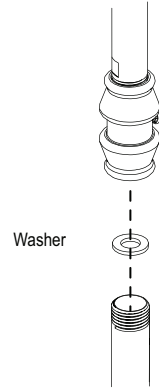
2



3

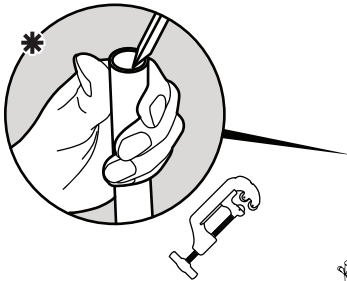


①



CUT THIS END TO SUIT
HEIGHT REQUIREMENTS.
MUST REMOVE ANY BURRS
AFTER CUTTING.

Shower Tube

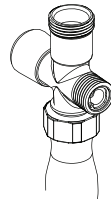
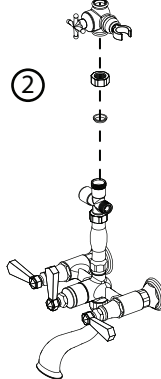


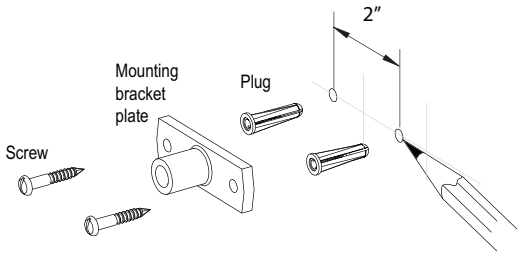
Slider Bracket

Shower Tube
Tie Down Nut

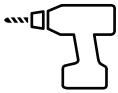
Shower Tube
Ferrule

②

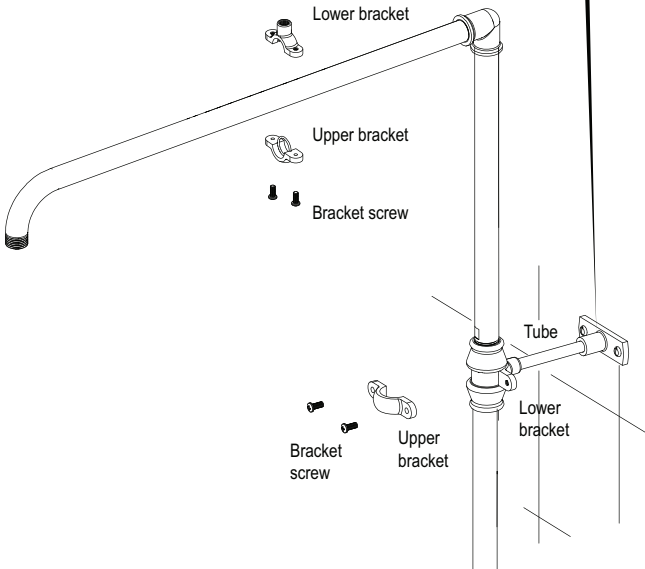
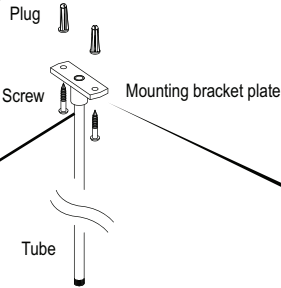


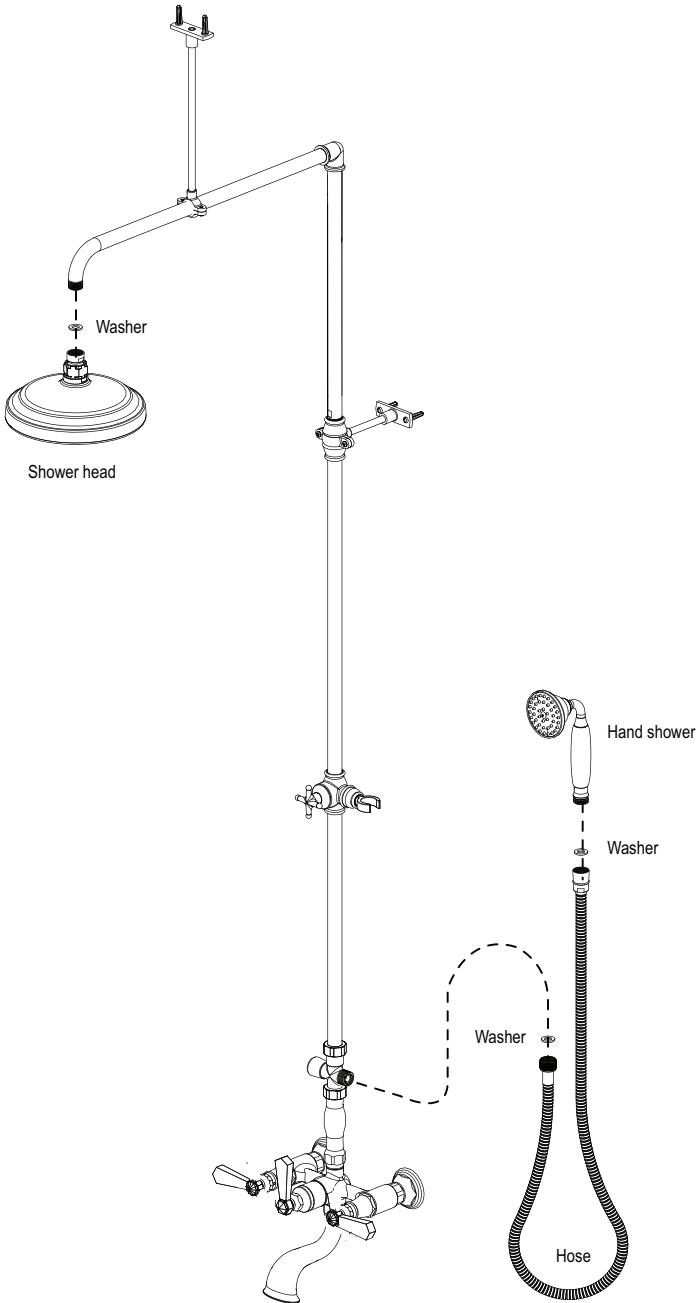


MARK ANCHOR HOLES FOR MOUNTING BRACKETS. THEN DRILL \varnothing 1/4" HOLES FOR ANCHORS.



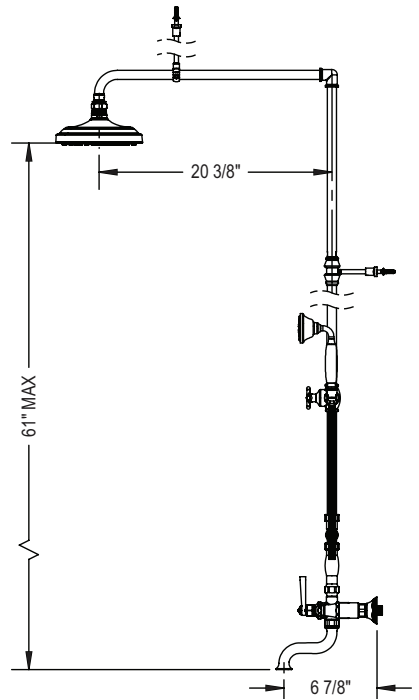
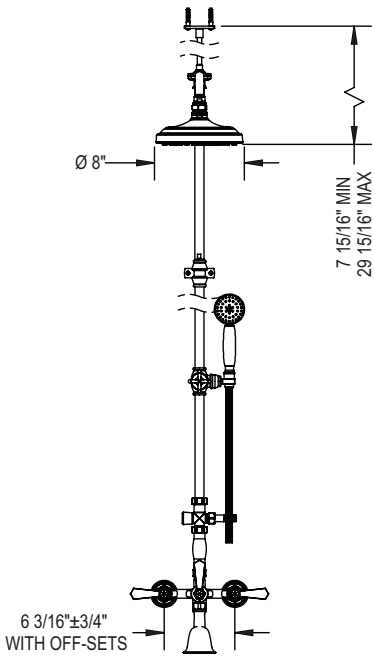
CUT THIS END TO SUIT HEIGHT REQUIREMENTS.





FEATURES:

- Brass construction with choice of 21 finishes
- Quarter Turn adjustable, ceramic disc cartridges
- Two Lever or Cross handles
- Hand Held Shower with 60" Hose (2.5 gpm @ 60 psi)
- 8" Shower Head (2.5 gpm @ 60 psi)
- Built-in double check valve



CONTACT US:

If you need assistance with installation, replacement parts or have any questions regarding your Rubinet product, please call a Customer Service representative at: 905-851-6781 toll free 1-800-461-5901 or visit www.rubinet.com