

PRODUCT SPECIFICATIONS

Elkay Celebrity Stainless Steel 12-1/2" x 15" x 6-1/8", Single Bowl Drop-in Bar Sink with Quick-clip. Sink is manufactured from 20 gauge 304 Stainless Steel with a Brilliant Satin finish, Center drain placement, and Bottom only pads.

Material:	304 Stainless Steel
Special Features:	Quick-Clip Mounting System
Finish:	Brilliant Satin
Gauge:	20
Sound Deadening:	Bottom only pads
Number of Bowls:	1
Sink Dimensions:	12-1/2" x 15" x 6-1/8"
Bowl 1 Dimensions:	9-1/4" x 12" x 6"
Bowl 2 Dimensions:	" x " x "
Drain Size:	2" (51mm)
Drain Location:	Center
Minimum Cabinet Size:	18"
Mounting Hardware:	Included for 3/4" (19mm) countertop
Template Included:	No
Cutout Template #:	1000001253

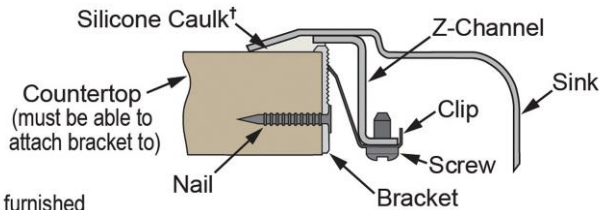
Template is available for download at [elkay.com](#). CAD software will be required to open the template.

Cutout Dimensions for Drop-in Installation:

11-7/8" x 14-3/8" (302mm x 365mm) with 1-1/2" (38mm) corner radius

Special Note: No faucet ledge

Installation Profile:



†Not furnished

OPTIONAL ACCESSORIES

Bottom Grid:	LKWBG1209SS
Cutting Board:	CB912
Drain:	LK36
Rinsing Basket:	LKWRB1209SS
Sinkmate:	LKSM17
Soap Dispenser:	LKGT1054

PART: _____ QTY: _____

PROJECT: _____

CONTACT: _____

DATE: _____

NOTES: _____

APPROVAL: _____



AMERICAN PRIDE. A LIFETIME TRADITION.

Like your family, the Elkay family has values and traditions that endure. For almost a century, Elkay has been a family-owned and operated company, providing thousands of jobs that support our families and communities.



Product Compliance: ADA & ICC A117.1
ASME A112.19.3/CSA B45.4
Buy American Act



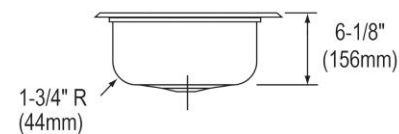
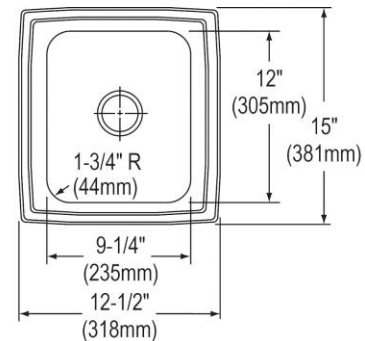
Sinks are listed by IAPMO® as meeting the applicable requirements of the Uniform Plumbing Code®, International Plumbing Code®, and National Plumbing Code of Canada.



Complies with ADA & ICC A117.1 accessibility requirements when installed according to the requirements outlined in these standards.

- [Clean and Care Manual \(PDF\)](#)
- [Installation Instructions \(PDF\)](#)
- [Limited Lifetime Warranty \(PDF\)](#)

Similar models are available with: U Channel mounting system



In keeping with our policy of continuing product improvement, Elkay reserves the right to change product specifications without notice. Please visit [elkay.com](#) for the most current version of Elkay product specification sheets. This specification describes an Elkay product with design, quality, and functional benefits to the user. When making a comparison of other producers' offerings, be certain these features are not overlooked.