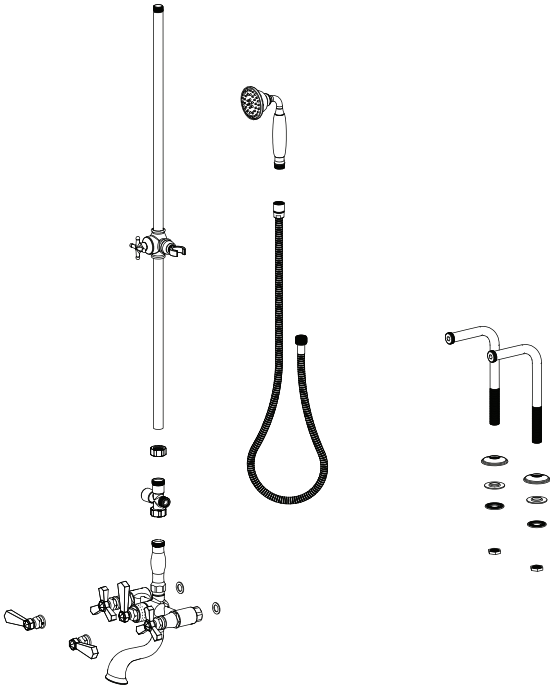
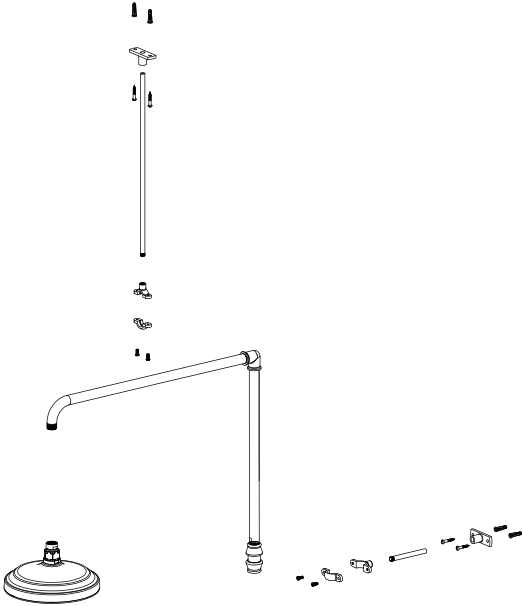


ASSEMBLY INSTRUCTION**2DHXL or C****DECK MOUNT TUB & SHOWER WITH HAND HELD SHOWER****2DHXL****2DHXC****REMOVAL OF FIXTURE:**

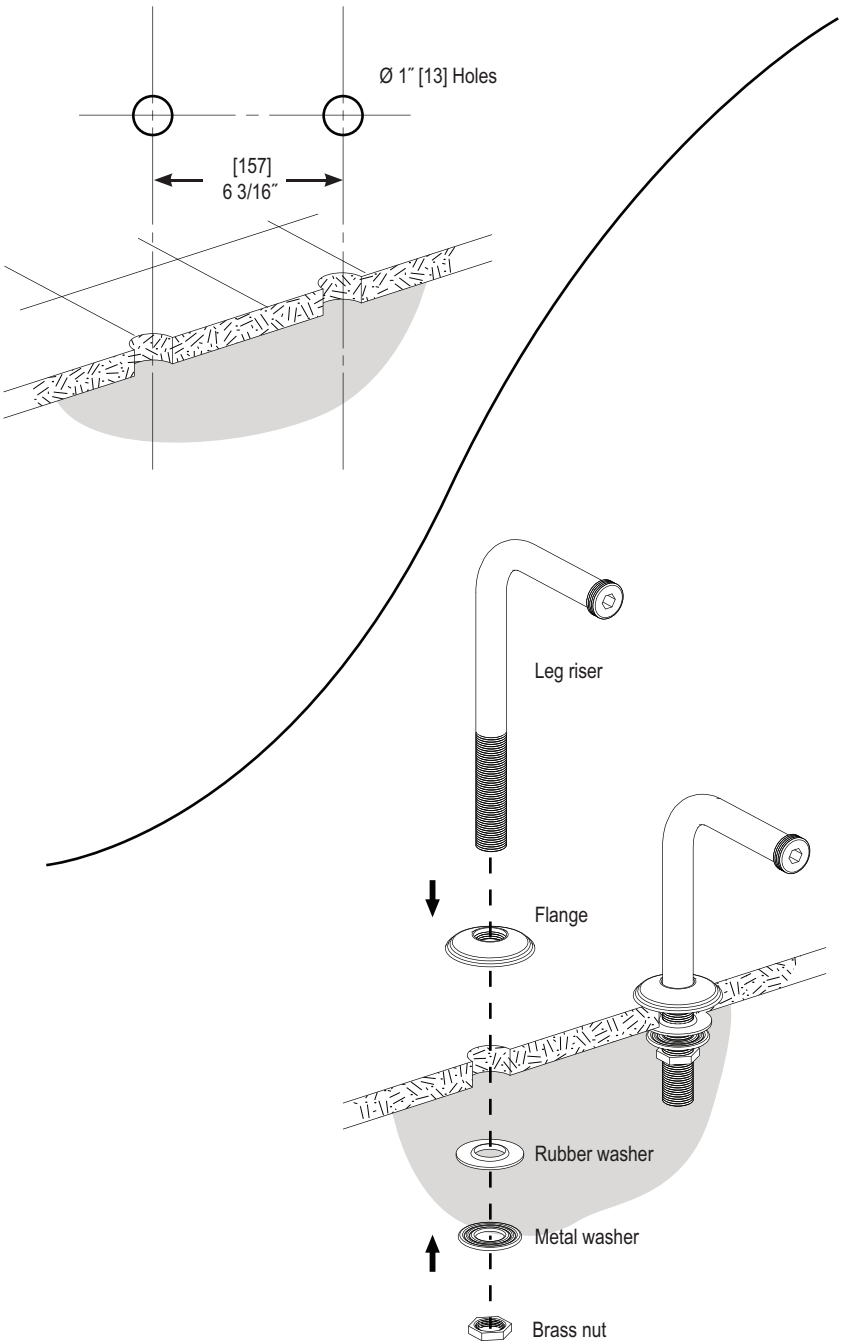
Always turn the water supply off before removing the existing fixture or disassembling a valve. Open both faucet handles to relieve water pressure and to ensure that the water has been successfully turned off.

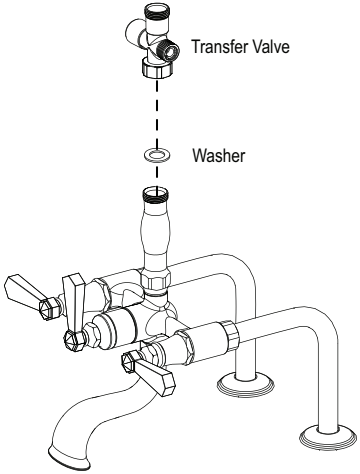
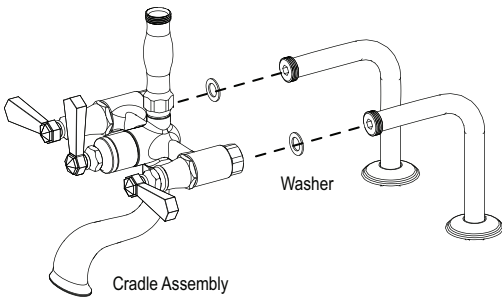
CARE OF FIXTURE:

The use of warm water and a soft cloth is all that is required to clean Rubinet products. The patina of our living finishes (Oil Rubbed Bronze & Tuscan Brass) will change as a result of normal use. Applying Mineral Oil on occasion will create a softer look, subtle color changes and character.

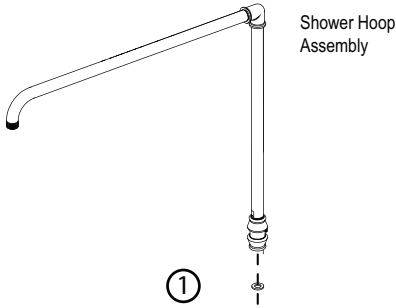


1

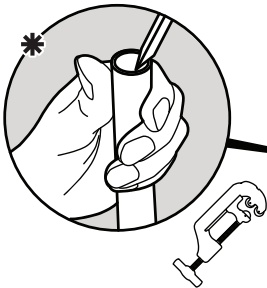




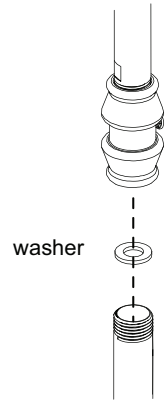
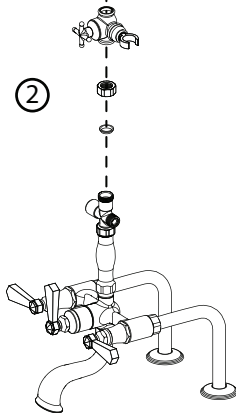
3



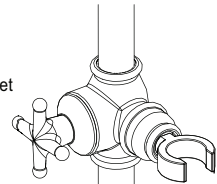
CUT THIS END TO SUIT
HEIGHT REQUIREMENTS.
MUST REMOVE ANY BURRS
AFTER CUTTING.



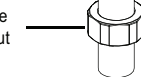
②



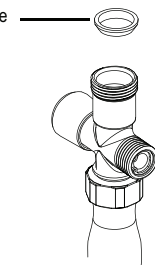
Slider Bracket

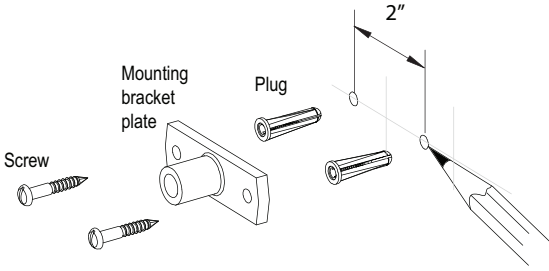


Shower Tube
Tie Down Nut

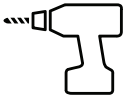


Shower Tube
Ferrule

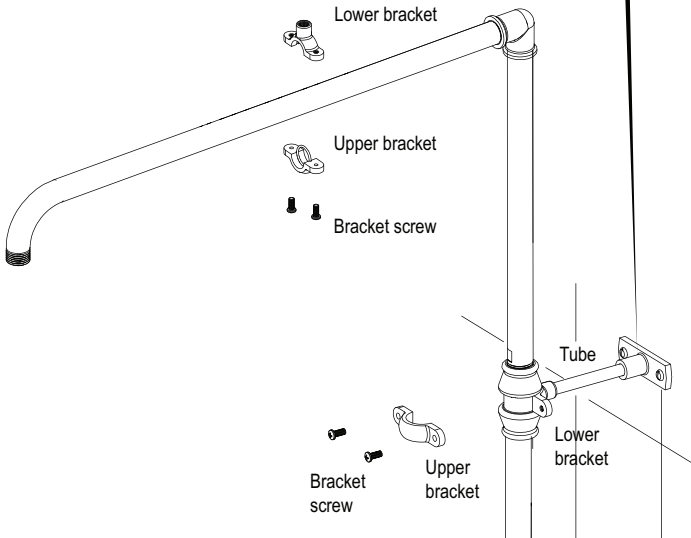
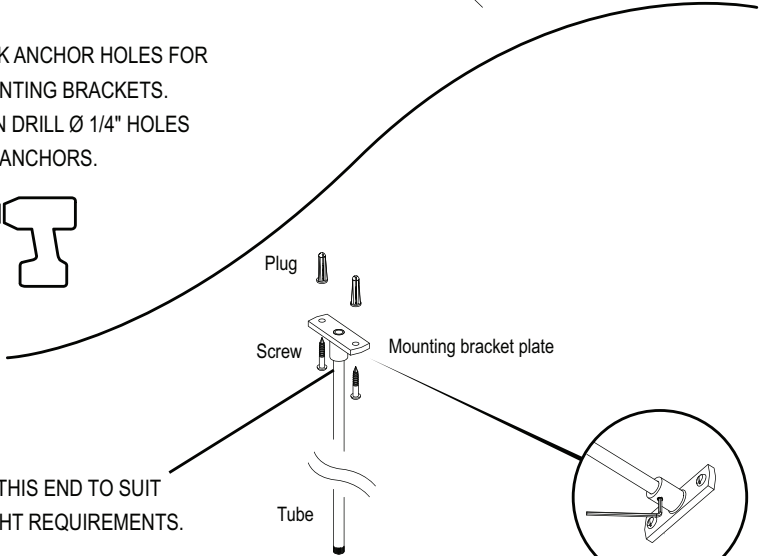




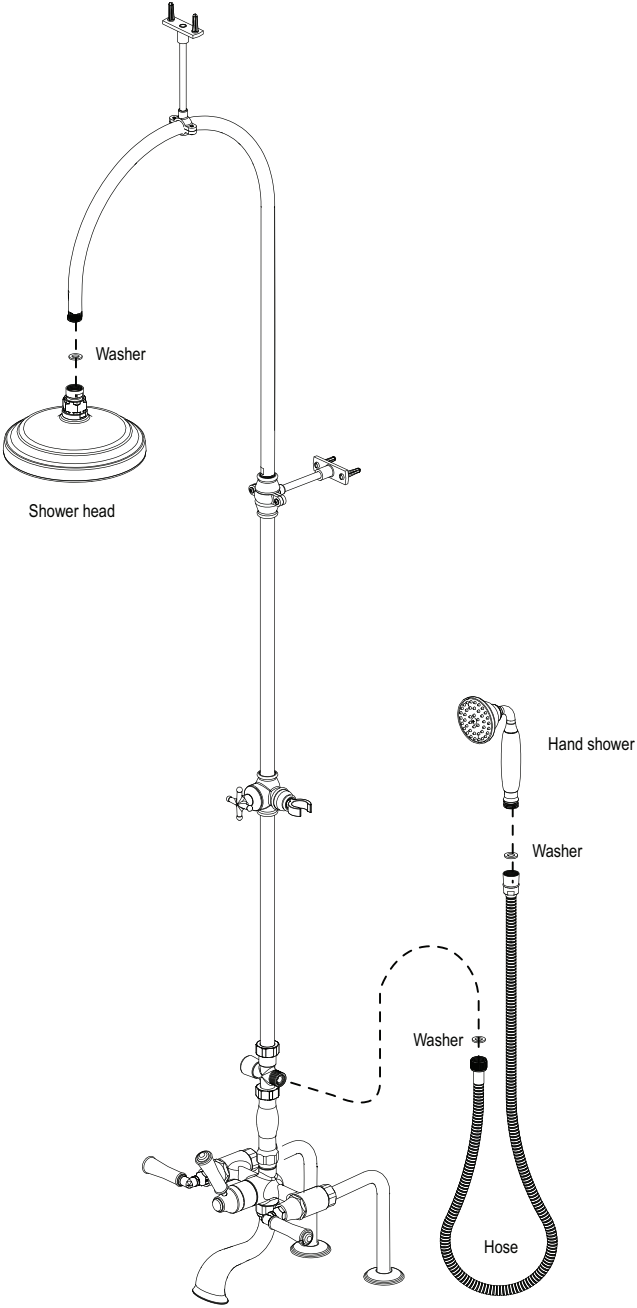
MARK ANCHOR HOLES FOR MOUNTING BRACKETS. THEN DRILL Ø 1/4" HOLES FOR ANCHORS.



CUT THIS END TO SUIT HEIGHT REQUIREMENTS.

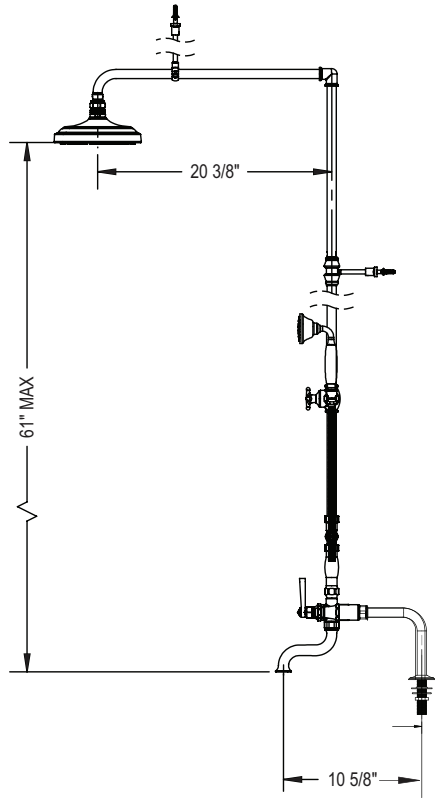
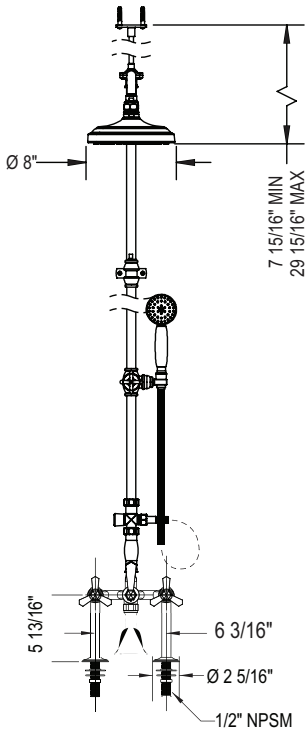


5



FEATURES:

- Brass construction with choice of 21 finishes
- Quarter Turn adjustable, ceramic disc cartridges
- Two Lever or Cross handles
- Hand Held Shower with 60" Hose (2.5 gpm @ 60 psi)
- 8" Shower Head (2.5 gpm @ 60 psi)
- Built-in double check valve



CONTACT US:

If you need assistance with installation, replacement parts or have any questions regarding your Rubinet product, please call a Customer Service representative at: 905-851-6781 toll free 1-800-461-5901 or visit www.rubinet.com