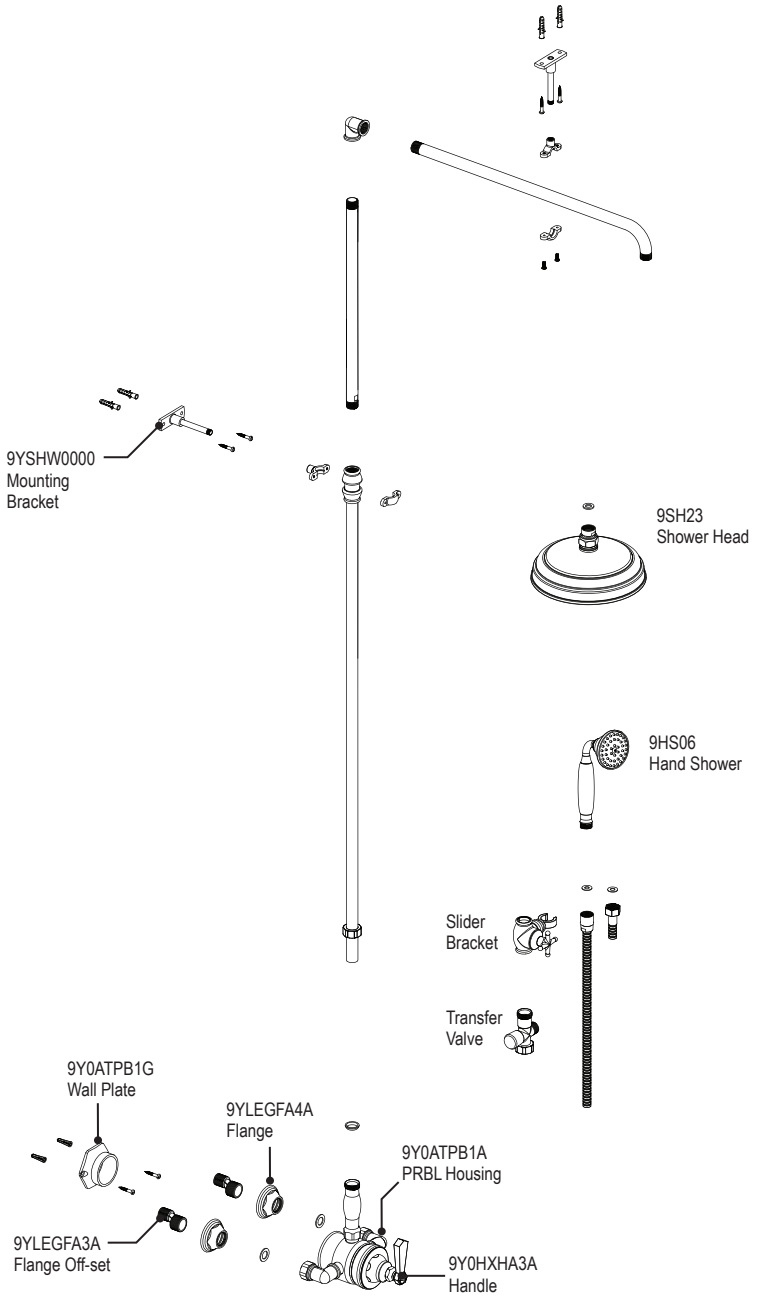


ASSEMBLY INSTRUCTION**4WHXL****WALL MOUNT PRESSURE BALANCE SHOWER WITH FIXED SHOWER HEAD WITH JETS****4WHXL****REMOVAL OF FIXTURE:**

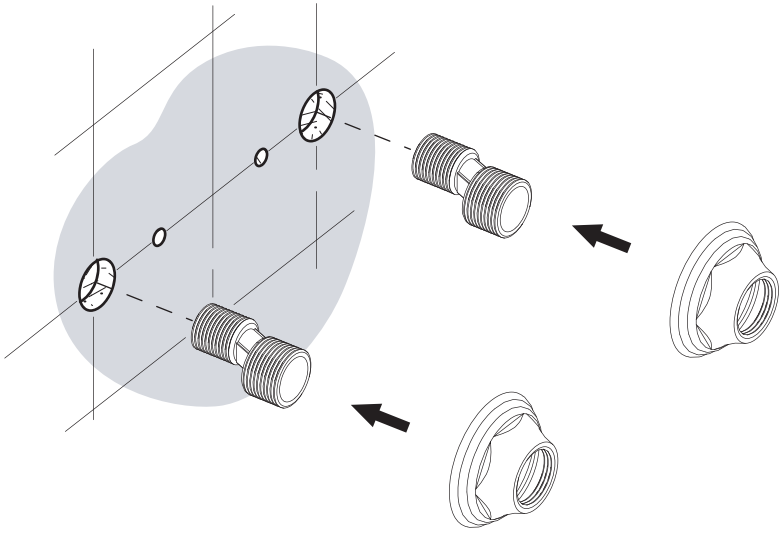
Always turn the water supply off before removing the existing fixture or disassembling a valve. Open all handles to relieve water pressure and to ensure that the water has been successfully turned off.

CARE OF FIXTURE:

The use of warm water and a soft cloth is all that is required to clean Rubinet products. The patina of our living finishes (Oil Rubbed Bronze & Tuscan Brass) will change as a result of normal use. Applying Mineral Oil on occasion will create a softer look, subtle color changes and character.

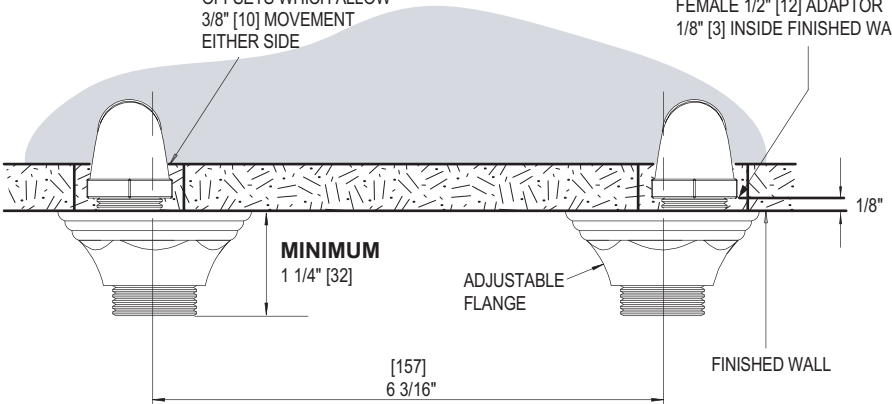


1

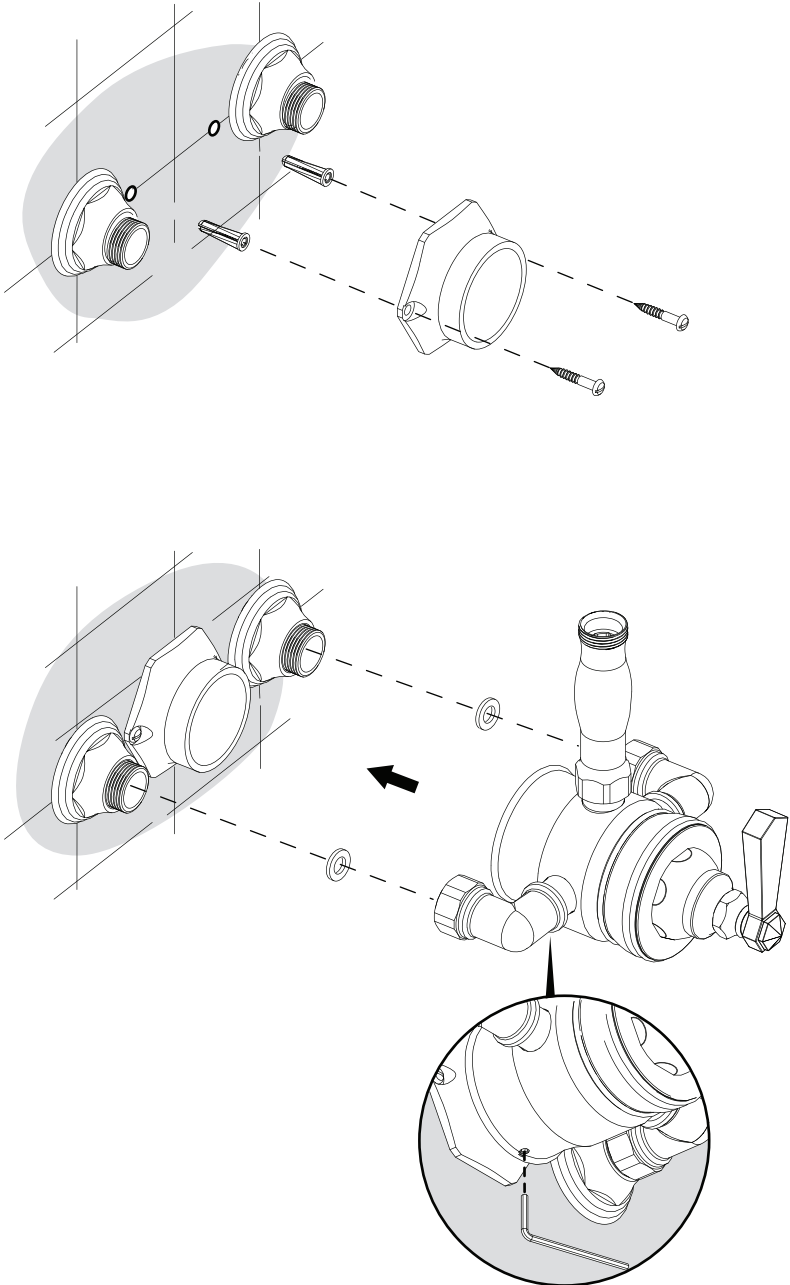


ADJUSTABLE 3/4" [19] -1/2" [12]
OFFSETS WHICH ALLOW
3/8" [10] MOVEMENT
EITHER SIDE

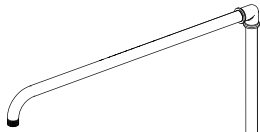
FEMALE 1/2" [12] ADAPTOR
1/8" [3] INSIDE FINISHED WALL



2

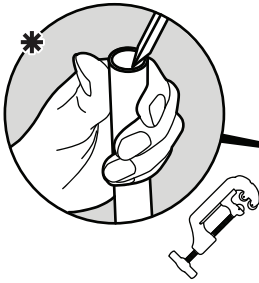


3

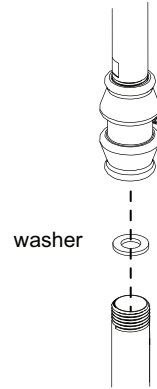
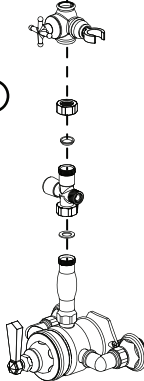


①

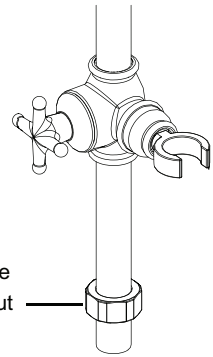
Cut this end to suit height requirements. Must remove any burrs after cutting.



②

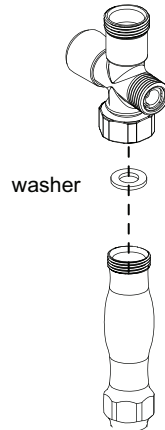


washer



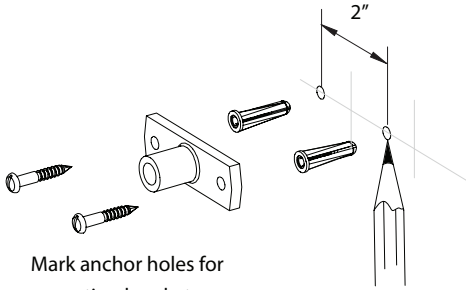
Shower Tube Tie Down Nut

Shower Tube Ferrule

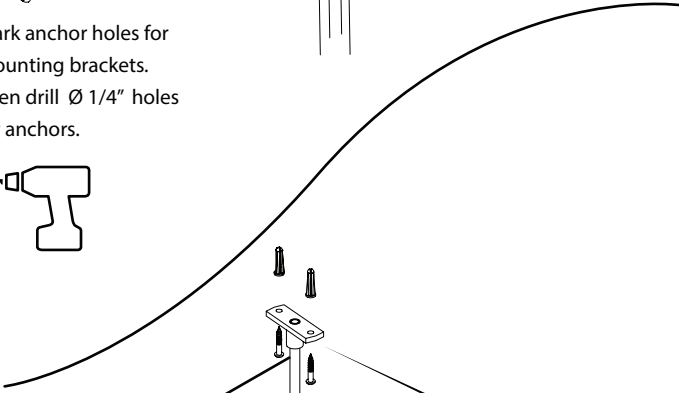
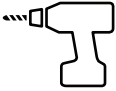


washer

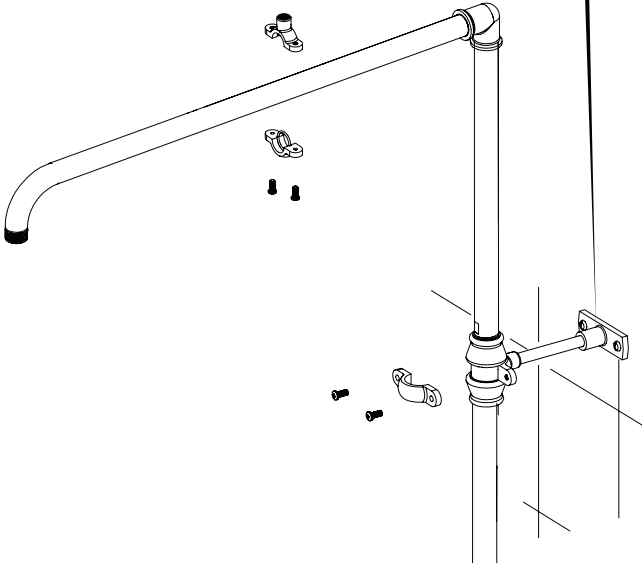
4



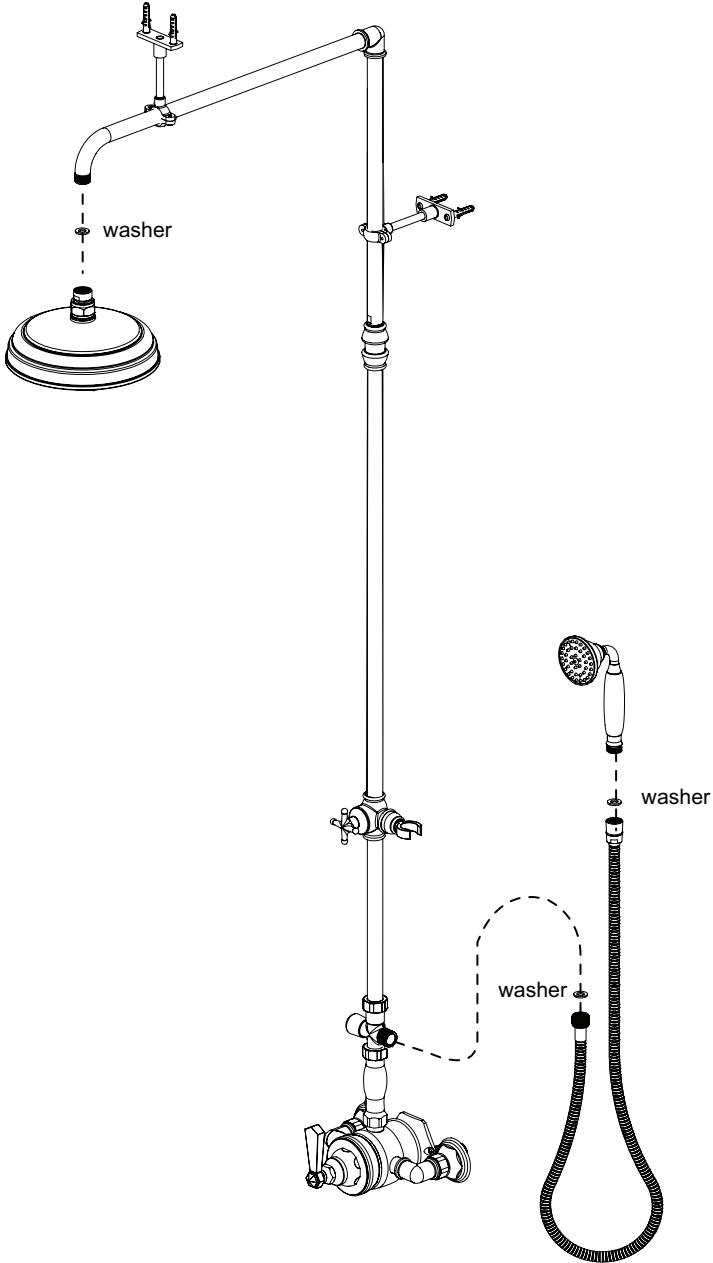
Mark anchor holes for mounting brackets. Then drill $\varnothing 1/4"$ holes for anchors.



Cut this end to suit height requirements

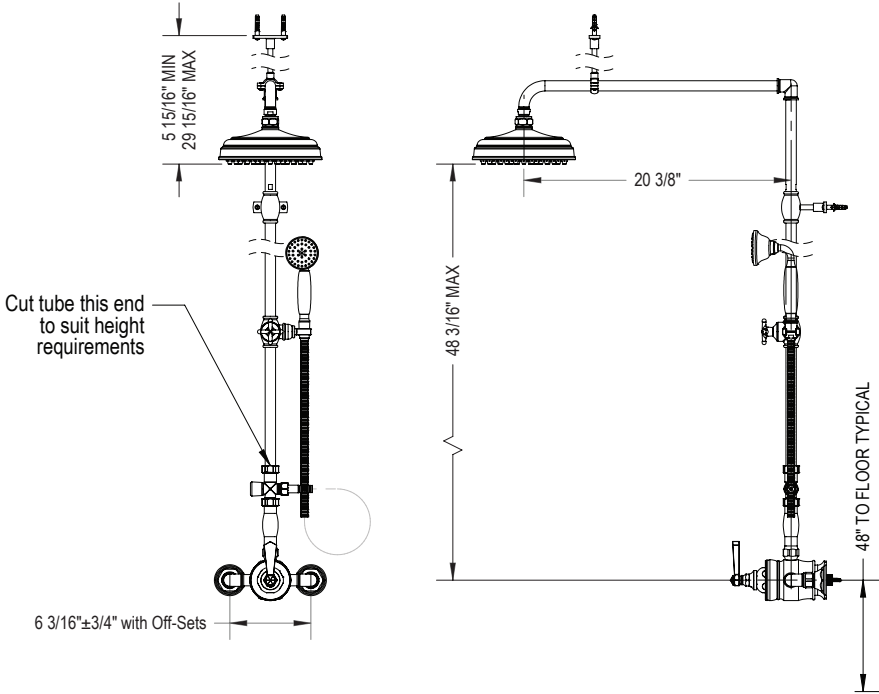


5



FEATURES:

- Brass construction with choice of 21 finishes
- Single Control Lever handle
- Pressure Balance cartridge allows both volume and temperature control
- 8" Shower Head with Jets (2.5 gpm)
- Optional Hand Held Shower (2.5 gpm)



CONTACT US:

If you need assistance with installation, replacement parts or have any questions regarding your Rubinet product, please call a Customer Service representative at: 905-851-6781 toll free 1-800-461-5901 or visit www.rubinet.com