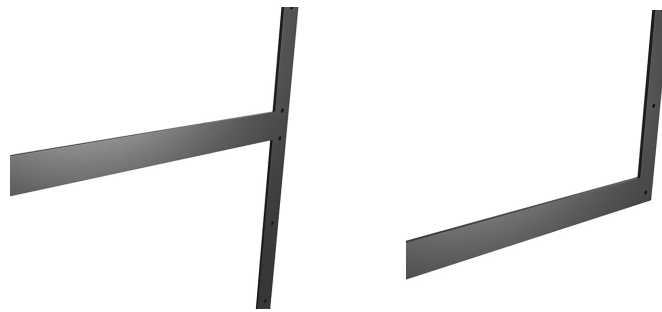




INSTALLING YOUR CONCRETE SINK USING “L” OR “T” STUD-MOUNTED BRACKETS



APPLICATIONS

Trueform “L” and “T” brackets can be mounted to either wood studs or steel studs.

TOOLS NEEDED

- Pencil
- Tape Measure
- Magnetic Torpedo level
- Two Clamps
- Power Drill
- 1/2” Socket or Wrench
- 5/16” Drill Bit
- 3/16” Pilot Bit
- Silicone Adhesive
- Water-Based Caulk

HARDWARE

- L Bracket
- 5/16” x 1-1/2” hex head wood screw (3 per bracket)
- T Bracket
- 5/16” x 2-1/2” hex head wood screw (5 per bracket)

MOUNTING TO WOOD STUDS

Complete mounting hardware is included for wood stud applications only.

MOUNTING TO STEEL STUDS (MIN. 20 GA)

Although these brackets are engineered for both wood and steel studs, Trueform strongly recommends outfitting the wall with wood studs when possible. Therefore, mounting screws are **not** included for steel stud applications.

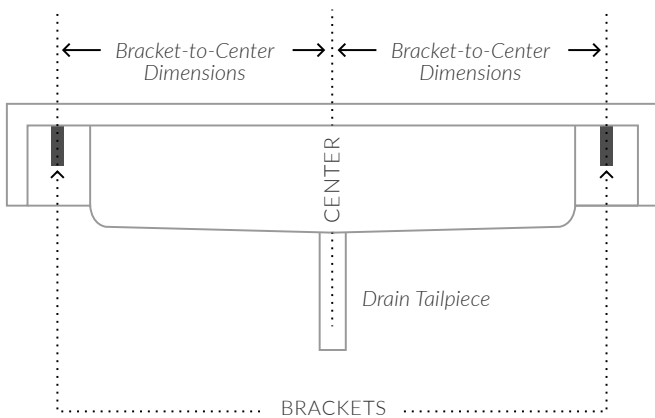
If brackets must be installed on steel studs, we recommend using 5/16” hex-head sheet metal screws. Also note that applicable steel studs should be no thinner than 20 gauge.

1. Identifying Your *Bracket-to-Center* Dimensions

Each of Trueform's floating sinks has two hollow channels on the underside that enable it to rest on our stud-mounted brackets.

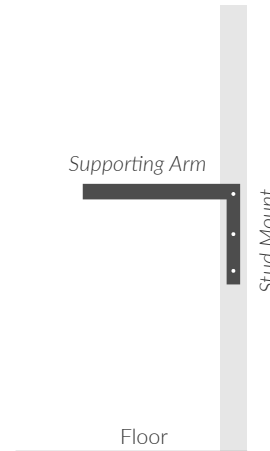
The **Bracket-to-Center** dimensions tell you the distance from the center of the sink to the location of both the left and right brackets. This distance will vary depending on the size of your sink.

Sink Resting on Brackets: Rear Elevation

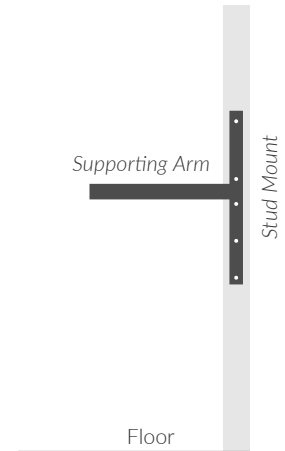


Each bracket, whether you have an "L" or "T", has a *Supporting Arm* (on which the sink rests) and a *Stud Mount* that attaches firmly to a wood or steel wall stud.

L Brackets



T Brackets



Locate your product SKU (also shown on packing slip) and determine the corresponding **Bracket-to-Center** dimensions using the chart below. Note that the +/- means that you have some flexibility.

Sink SKU#	Bracket-to-Center Dimensions	Bracket Style
RAMP SINKS		
FLO-20V-ADA	8.5"	L
FLO-24V-ADA	10.5"	L
FLO-30V-ADA	12.5" +/- 0.5"	L
FLO-30VW-ADA	12.5" +/- 0.5"	L
FLO-36V-ADA	14" +/- 2"	L
FLO-NOL-36N-ADA	13.5" +/- 2"	L
FLO-NOL-36V-ADA	13.5" +/- 2"	L
FLO-60V-ADA	27" +/- 1"	T
FLO-60V-DBL-ADA	27.5" +/- 0.5"	T
FLO-72V-ADA	33" +/- 1"	T
FLO-72V-DBL-ADA	32" +/- 2"	T
CONTEMPO SINKS		
FLO-20V-CONTEMPO*	8.5"	L
FLO-24V-CONTEMPO	10.5"	L
FLO-30V-CONTEMPO	12.5" +/- 0.5"	L
FLO-40V-CONTEMPO	15" +/- 3"	L
FLO-60V-CONTEMPO	27" +/- 1"	T
FLO-60V-DBL-CONTEMPO	27.5" +/- 0.5"	T
FLO-72V-CONTEMPO	33" +/- 1"	T
FLO-72V-DBL-CONTEMPO	32" +/- 2"	T
FLO-90V-TPL-CONTEMPO	42.5" +/- 0.5" & 15" +/- 2"	L

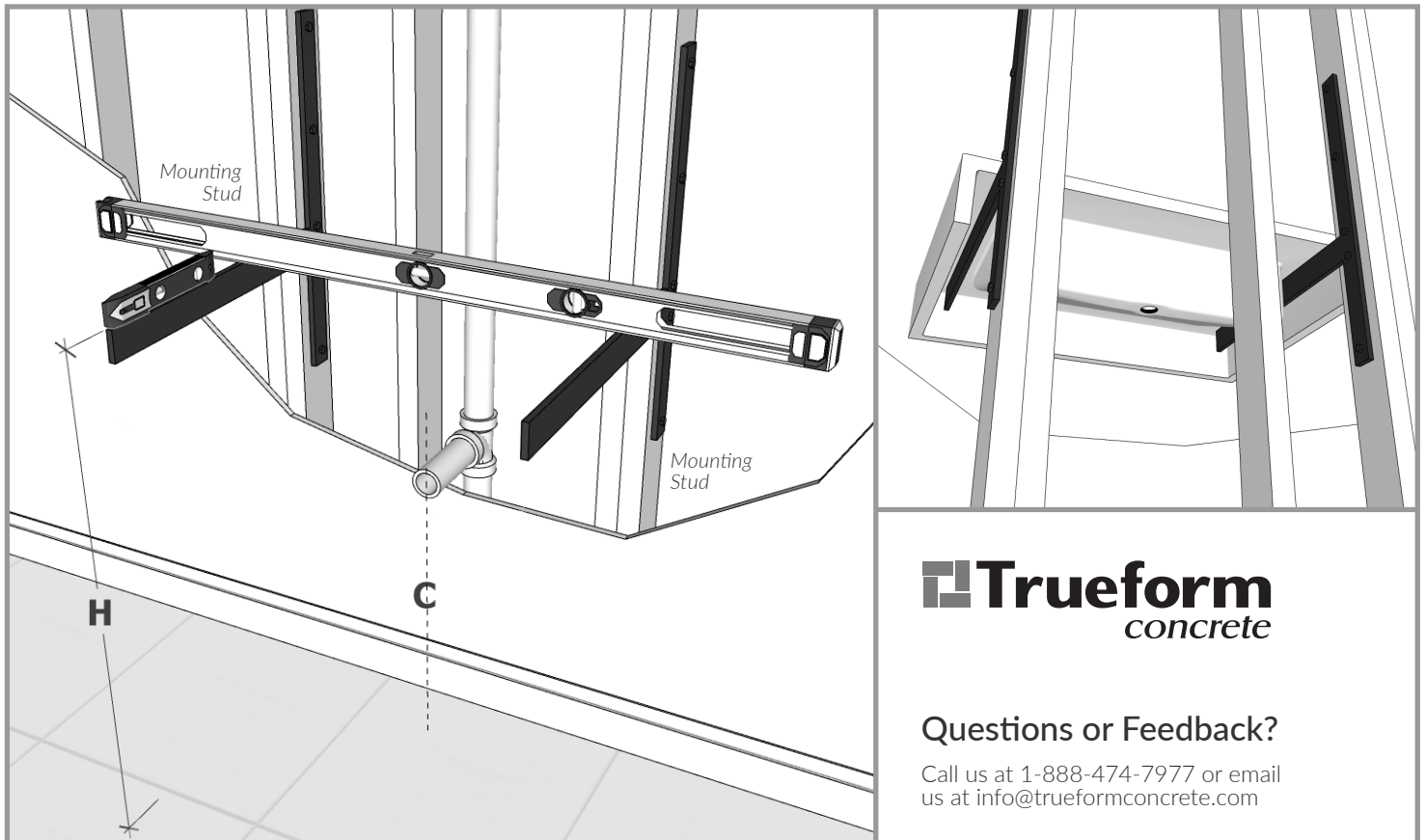
Sink SKU#	Bracket-to-Center Dimensions	Bracket Style
RECTANGLE SINKS		
FLO-30N-ADA	12.5" +/- 0.5"	L
FLO-36N-ADA	14" +/- 2"	L
FLO-60N-ADA	27" +/- 1"	T
FLO-60N-DBL-ADA	27.5" +/- 0.5"	T
FLO-72N-ADA	30" +/- 4"	T
FLO-72N-DBL-ADA	32" +/- 2"	T
HALF-TROUGH SINKS		
FLO-24C-ADA	10"	L
FLO-30C-ADA	12.5" +/- 0.5"	L
FLO-36C-ADA	14" +/- 2"	L
FLO-60C-DBL-ADA	27.5" +/- 0.5"	T
FLO-72C-DBL-ADA	32" +/- 2"	T
ELLIPSA SINKS		
FLO-24E-ADA	10 7/16"	L
FLO-30E-ADA	12" +/- 1"	L
FLO-60E-ADA	27" +/- 1/2"	T
FLO-60E-DBL-ADA	27" +/- 1/2"	T
NOLITA SINKS		
FLO-NOL-36N-ADA	13 1/2" +/- 2"	L
FLO-NOL-36V-ADA	13 1/2" +/- 2"	L

*This sink is not ADA compliant.

2. Mounting Your Brackets and Sink

It is important to note that brackets must be mounted to wood (or steel) studs and must be perfectly leveled, independently and to each other. Details regarding tools and hardware in certain steps may differ if you are mounting to steel studs. Do not measure from the floor when leveling brackets since the floor may not be level.

1. Determine and mark where the **Center** of your sink will be (see “**C**” in drawing below). Trueform assumes that your concrete sink drain will be centered on your plumbing waste line.
2. Determine and mark the distance from **Center** to where the left and right brackets will be mounted. The **Bracket-to-Center** dimensions are found on the chart on the previous page, the **Product Tech Sheet** (“Rear Elevation”), or your Trueform Custom Drawing (if applicable). If there is no wall stud on either side of where the brackets will be attached, either a full stud must be added or an existing nearby stud must be packed out to meet this distance. Doubling up studs is recommended for T brackets.
3. Measuring up from the finished floor, mark a mounting stud 1” *below* the desired finished height of the sink. This is the **Height** (see “**H**” in drawing below) and represents the top of the bracket. Use your 6’ Level to mark a **Height Line** across each mounting stud. Note that the finished sink height is typically 34” - 36” and that ADA height = 34”.
4. Clamp the first bracket to the center of the appropriate stud with the top of the supporting arm at your **Height Line**.
5. Use your Magnetic Torpedo Level on the supporting arm of the bracket to make sure the arm is independently level.
6. Run the 5/16” Drill Bit in reverse for a moment at each bracket hole to create an index for the 3/16” Pilot Bit.
7. Drill 3/16” pilot holes and then insert and tighten each lag bolt using a socket or wrench.
8. Clamp the second bracket to the appropriate stud at the **Height Line** and place the 6’ Level across the two brackets.
9. Repeat steps 5-7 for each bracket, making sure it remains level with the first bracket.
10. Patch up and finish the wall with the applicable covering (sheetrock, tile, etc.).
11. Apply silicone adhesive to the top surface of each bracket and then set the sink into position.
12. If desired, apply caulk between the sink and the finished wall. Avoid using harsh chemicals when cleaning up.



Trueform
concrete

Questions or Feedback?

Call us at 1-888-474-7977 or email us at info@trueformconcrete.com

Product Care & Maintenance

The following instructions are for our indoor products sealed with our topical sealer.

Now that your concrete is installed, you'll want to properly care for it. Follow these simple guidelines to keep your concrete looking beautiful for years to come:

- Avoid dragging sharp, hard objects across the concrete surface to prevent scratching. Minor white scratches should be expected throughout the piece from use over time. Applying *Pledge* every now and then can fill in minor scratches and give your pieces a nice sheen.
- Avoid leaving acidic foods and beverages (lemon juice, mustard, vinegar, wine, soda, tomatoes, bananas, pumpkins/gourds, etc.) perfumes and colognes, cleaners that contain vinegar or citric acids, and other harsh chemicals or solvents (ammonia, acetone, hydrogen peroxide, etc.) on the concrete surface. Clean or remove these substances as soon as possible as they may "eat" through the sealer (which can leave light hazing) and could possibly expose or stain your concrete. There are, of course, other items and products that may damage your sealer. We have tested against the most typical stain agents, but please use standard precautions to keep your concrete protected.
- Avoid using abrasive soaps, cleansers, or scrubbing pads that can wear down the sealer. We recommend using mild, non-abrasive, non-ammonia, non-citric acid, non-vinegar, non-bleach soaps and cleaners.
- Please use standard care and precautions with your concrete products. Concrete is extremely durable; however, it is not invincible. Excessive force can do damage to your piece.

For more information see our *Product Care & Use Sheets* at <https://www.trueformconcrete.com/product-care-use-sheets/>

Warranties, Limitations of Liability and Exclusive Remedies

TRUEFORM warrants for a period of one (1) year from the date of delivery that its Products shall perform in a good and workmanlike manner in accordance with applicable standards; comply with any applicable laws, rules or regulations; and not violate or infringe upon any presently issued patent or copyright of any third party. This warranty does not include or cover 1) hairline cracks in the concrete, 2) damage caused during installation or due to incorrect installation, 3) damage caused by incorrect cleaning or care, 4) damage caused by incorrect use, 5) damage caused by acts of abuse to the products such as scratches, chips, stains, or other markings/damage, or 6) damage caused by drilling into or attempting to alter the product from the way in which it was received.

THE FOREGOING WARRANTIES ARE TRUEFORM'S ONLY WARRANTIES CONCERNING THE PRODUCTS, AND ARE MADE FOR THE BENEFIT OF THE CUSTOMER ONLY AND ARE IN LIEU OF ALL OTHER WARRANTIES OR REPRESENTATIONS, EXPRESS OR IMPLIED, INCLUDING, BUT NOT LIMITED TO, ANY IMPLIED WARRANTIES OF MERCHANTABILITY AND FITNESS FOR A PARTICULAR PURPOSE OR OTHERWISE.

TRUEFORM's sole responsibility is limited to the repair or replacement, at its own expense, of any non-conforming TRUEFORM Products discovered by the Customer and reported to TRUEFORM within seven (7) days from the date of delivery.

TRUEFORM SHALL HAVE NO LIABILITY OR OTHER RESPONSIBILITY TO THE CUSTOMER OR ANY THIRD PARTY WITH RESPECT TO ANY LIABILITY, LOSS OR DAMAGE ALLEGEDLY CAUSED DIRECTLY OR INDIRECTLY BY OUR PRODUCTS AND SERVICES AND THE USE OF THIS MANUAL, INCLUDING, BUT NOT LIMITED TO, ANY INTERRUPTION OF SERVICE, LOSS OF BUSINESS, ANTICIPATORY PROFITS, OR INDIRECT, SPECIAL OR CONSEQUENTIAL DAMAGES.

The material in this manual is for informational purposes only. The products it describes are subject to change without prior notice, due to the manufacturer's continuous development program.

Certifications



CSA B45.8 / IAPMO Z403
ASME A112.8.2 / CSA B125.2



This sink is ADA Compliant when installed per section 606 (Sinks and Lavatories) of the ADA Accessibility Guidelines.

Questions or Feedback?

If you have any questions or if there is anything we can do to improve your experience, please let us know. We'd be happy to hear your feedback.

Trueform Concrete, LLC

105 W Dewey Ave, Suite 509. Wharton NJ 07885
888.474.7977 info@trueformconcrete.com
www.trueformconcrete.com