

FLOATING CONCRETE SINKS

NOLITA 36" CONCRETE RAMP SINK

SKU: FLO-NOL-36V-ADA

- Size: 36" x 18" x 4" / Basin Model: R-1813-S / Basin ID: 18" x 13" x 3"
- This sink meets ADA Accessibility Guidelines
- 8 concrete color options
- 6" drain tailpiece included in Polished Chrome - available in 3 other finishes
- Standard Faucet & Soap Hole Configurations (customizable):
  - 0 Holes: wall-mount faucet
  - 1 single faucet hole or triple-hole set: centered on sink basin
  - Soap hole (optional): 5" minimum to left or right of faucet hole
  - Triple-hole set = 8" spread
  - Hole diameter = 1 3/8"
  - Hole(s) centered 2 1/4" off back of sink basin
- Sink does not have overflow hole
- Mounts to stud walls with 2 L-brackets (FSB-L-XS)
- Handmade in the USA

CONCRETE COLORS



Compliances & Certifications

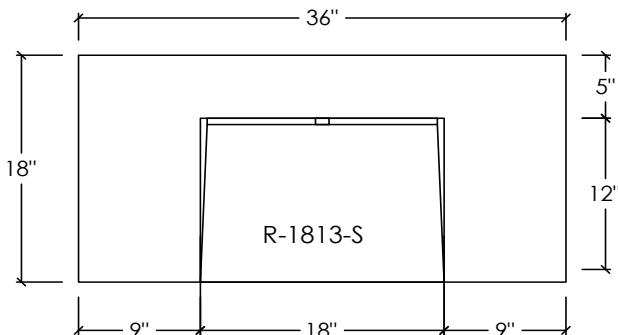


ICC A117.1

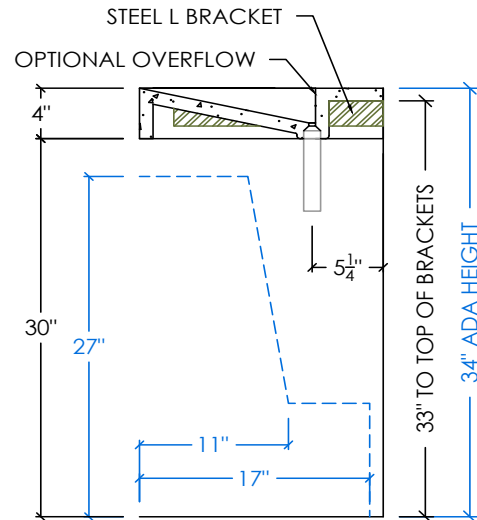


CSA B45/IAPMO Z403  
ASME A112.18.2/CSA B125.2

PLAN VIEW



RIGHT SECTION



REAR ELEVATION

