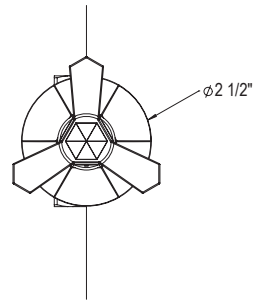
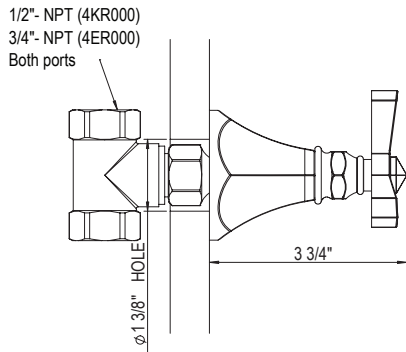
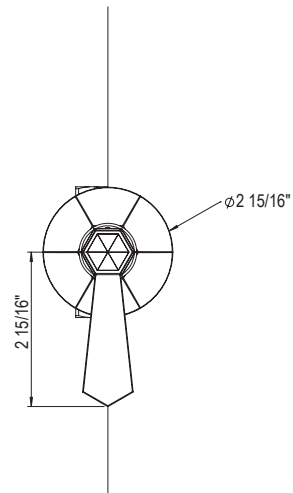
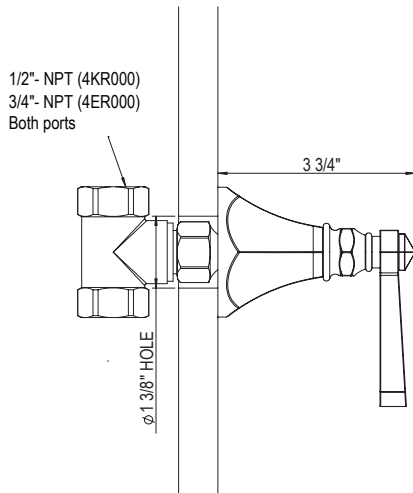


FEATURES:

- Brass construction with choice of 21 finishes
- Lever or Cross handle
- Quarter turn, ceramic disc cartridge
- 2.5 gpm @ 60 psi



4KHXL (1/2" valve)
4EHXL (3/4" valve)



4KHXC (1/2" valve)
4EHXC (3/4" valve)

CONTACT US:

If you need assistance with installation, replacement parts or have any questions regarding your Rubinet product, please call a Customer Service representative at: 905-851-6781 toll free 1-800-461-5901 or visit www.rubinet.com

150814

THE **Rubinet** FAUCET COMPANY

ASSEMBLY INSTRUCTION

4E-4KHXL or C

VOLUME CONTROL VALVE

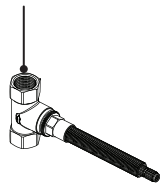
REMOVAL OF FIXTURE:

Always turn the water supply off before removing the existing fixture or disassembling a valve. Open all handles to relieve water pressure and to ensure that the water has been successfully turned off.

CARE OF FIXTURE:

The use of warm water and a soft cloth is all that is required to clean Rubinet products. The patina of our living finishes (Oil Rubbed Bronze & Tuscan Brass) will change as a result of normal use. Applying Mineral Oil on occasion will create a softer look, subtle color changes and character.

4ER000 (3/4")
4KR000 (1/2")
Rough-In Valve



9Y0HXFA1B
Flange



Flange
Bushing



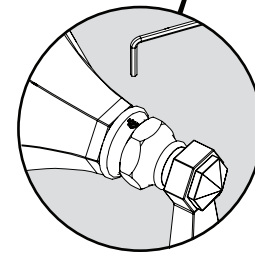
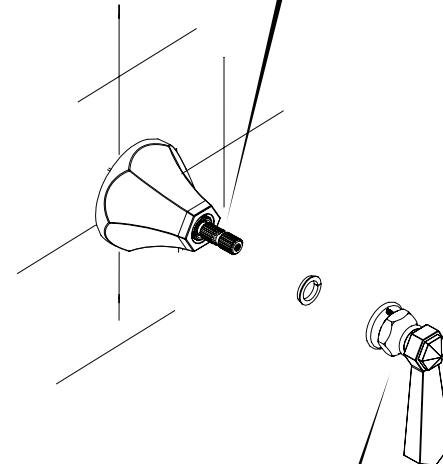
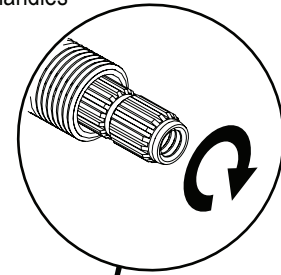
9Y0HXHA1A
Lever Handle
Assembly



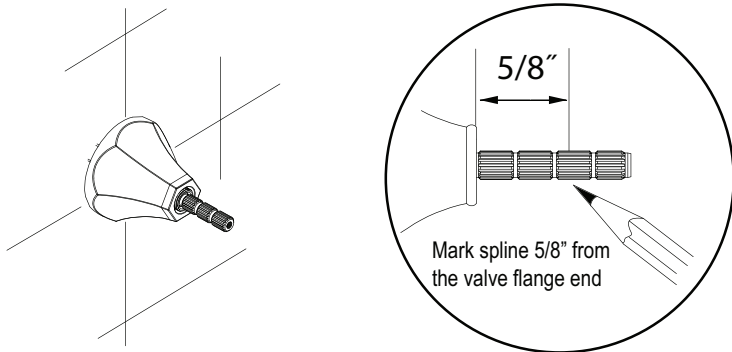
9Y0HXHA2A
Square Handle
Assembly



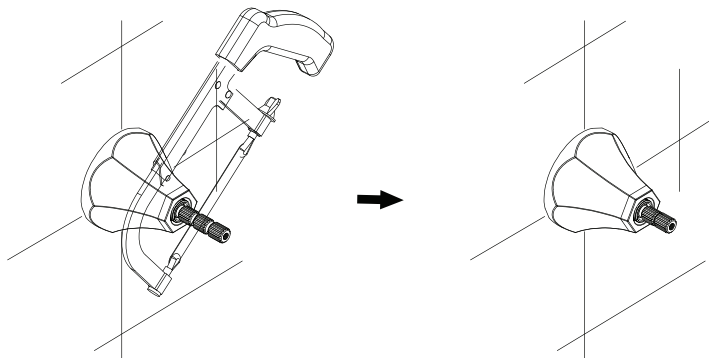
Turn cartridge spline into OFF position
before installing handles



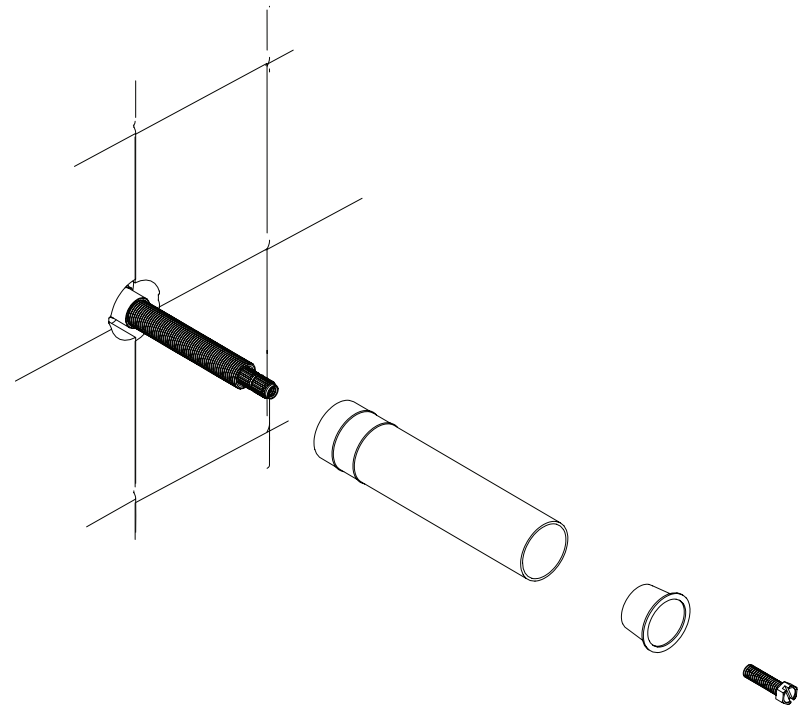
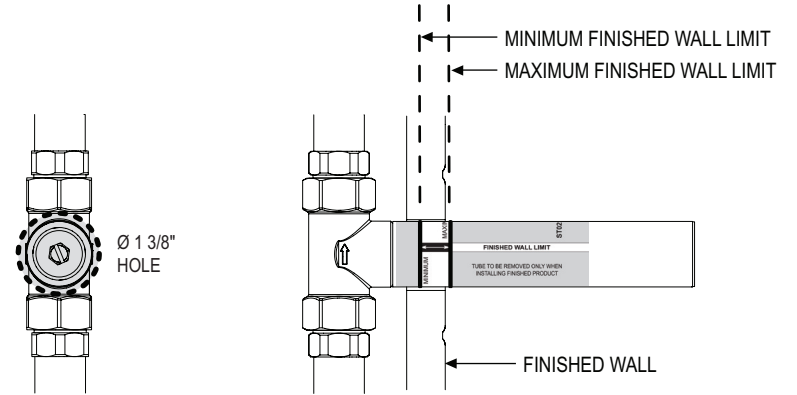
4



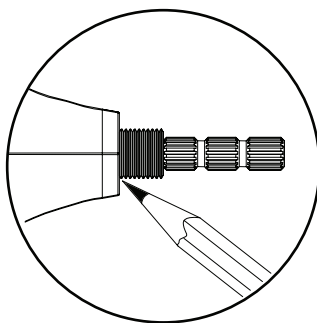
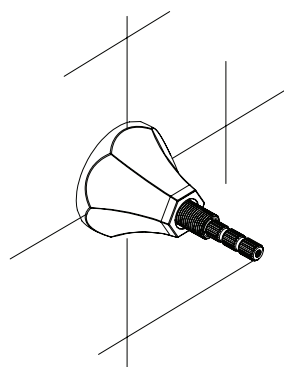
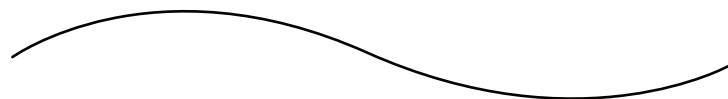
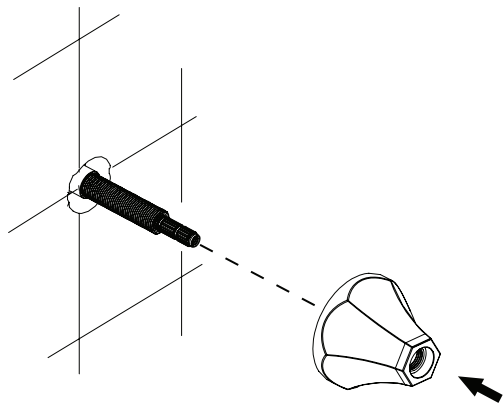
Cut spline where marked



1



2



Mark threaded sleeve

3

