

PIA 3260 AFR

59 3/4" x 31 7/8" x 19 1/2"



PRODUCT DESCRIPTION:

With integrated tiling flange
Above-the-Floor Rough (AFR)
Adjustable feet
Contemporary style
Gloss finish resistant to stains and discoloration
Acrylic thermoformed and reinforced with fiberglass

10 days

WATER CAPACITY: 56.5 Imperial Gallons	IMMERSION: 12 1/4 po
BOX SIZE:	
NET WEIGHT:	GROSS WEIGHT:

GENERAL OPTIONS

Acrylic colors: white	Standard
biscuit* or bone* (allow 3 weeks for delivery)	Standard
Available in left or right version (integrated tiling flange)	
Integrated skirt	

Drain D105 (20"): chrome finish	62.4020.102.60
Black neck pillow (12" x 4")	18.6000.100.20

WHIRLPOOL OPTIONS

Finish for Whirlpool jets: white	Standard
Other: chrome	

Inline heater 110 V

ACTIV-AIR OPTIONS

Finish for Activ-Air jets: white	Standard
Other: chrome	

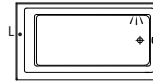
Blower hose extension 72"	95.5013.167.00
----------------------------------	-----------------------

Blower hose extension 96"	95.5013.168.00
----------------------------------	-----------------------

Blower extensions are necessary when the blower is located more than 4' from the pneumatic control.

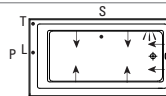
* Customized product, non cancellable, non returnable.

* All systems and options automatically come in the same colour as the bathtub unless otherwise specified on the purchase order.



Bathtub only left drain
Bathtub only right drain

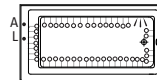
E10.20712.4500
E10.20712.4000



Whirlpool left drain
Whirlpool right drain

E15.20712.450030
E15.20712.400030

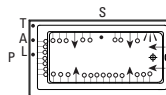
Included: 6 round jets, two air controls, one 7.5 A pump and one pneumatic control.



Activ-Air left drain
Activ-Air right drain

E15.20712.450010
E15.20712.400010

Included: 32 Activ-Air micro-jets, one blower with heating element (200 W) and one pneumatic control.



Whirlpool/Activ-Air combo left drain
Whirlpool/Activ-Air combo right drain

E15.20712.450031
E15.20712.400031

Included: 6 round jets, 31 Activ-Air micro-jets, two air controls, one 7.5 A pump, one blower with heating element (200 W) and two pneumatic controls.

➔ : Whirlpool jets	○ : Activ-Air jets	S : Suction
T : Whirlpool control	A : Activ-Air control	P : Pump
L : Light control	≡ : Mood light (option)	

Note: The blower is never installed.



Intertek



Certification ECORESPONSIBLE
First manufacturer of bathroom products in North America to be certified ecoresponsible.



Produits Neptune

ENTREPRENEUR

6835, Picard street, Saint-Hyacinthe (Quebec) J2S 1H3
Phone: (450) 773-7058 - produitsneptune.com

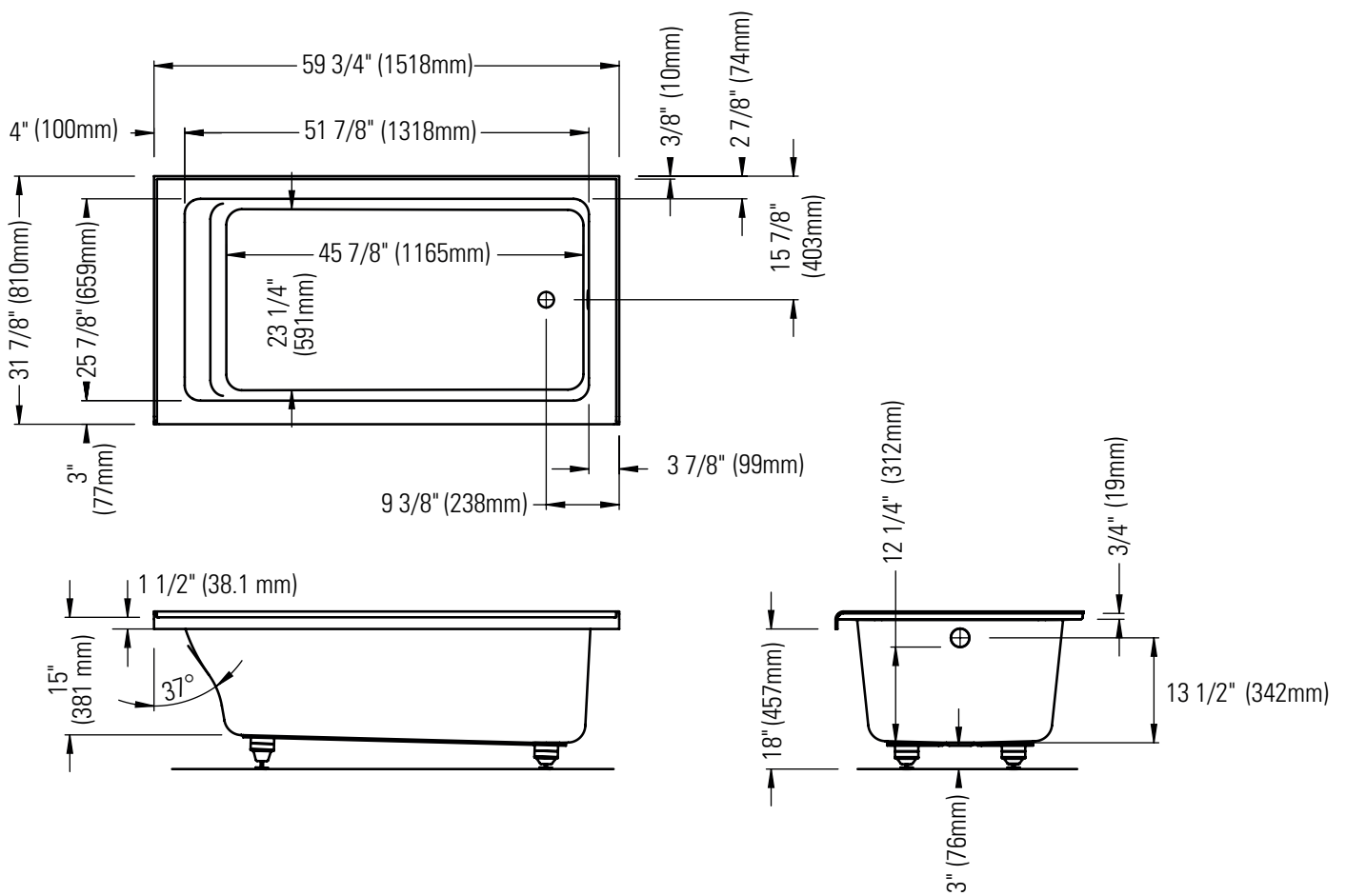
REV: 03-20



Produits Neptune

PIA 3260 BD AFR

Bain



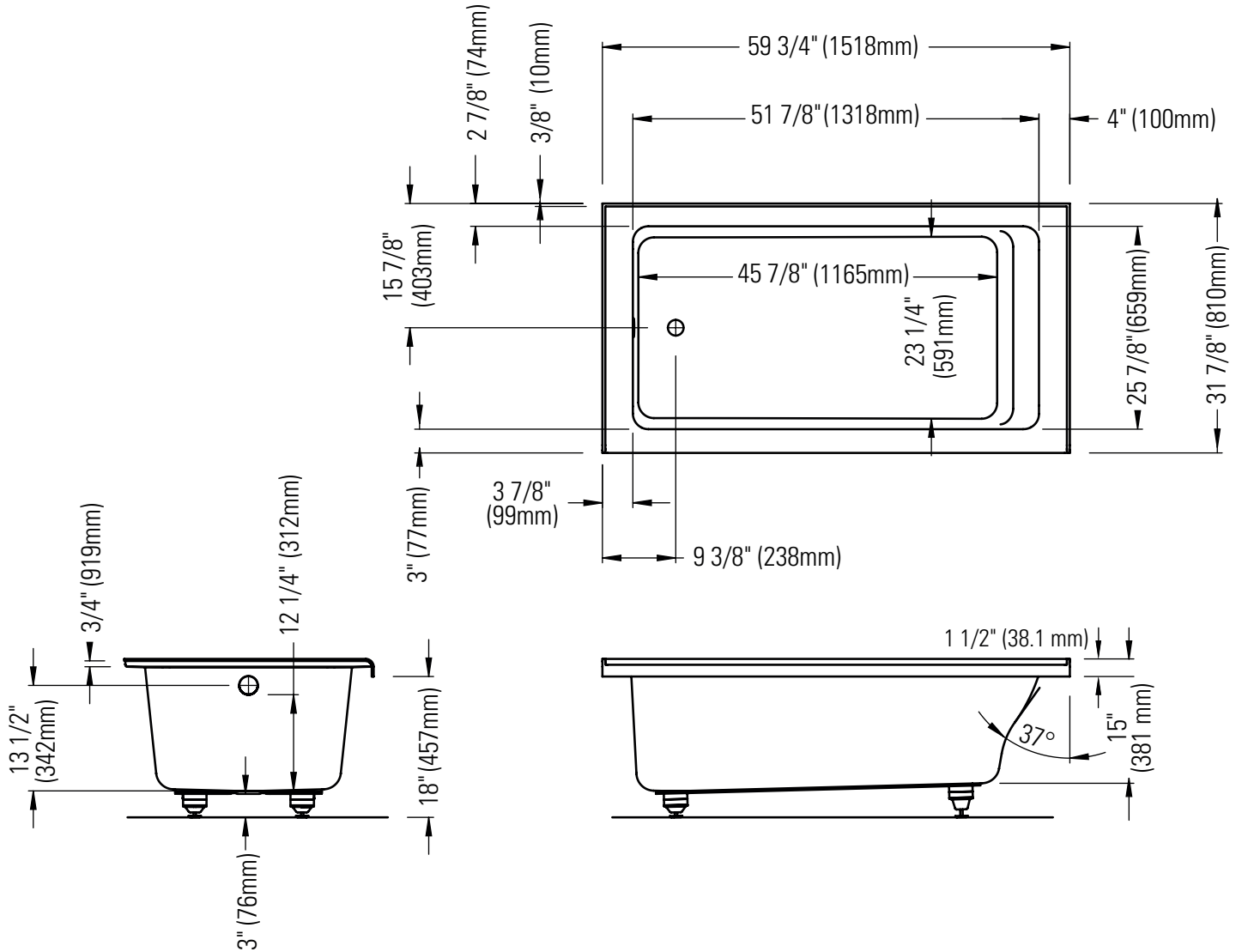
*All dimensions are approximate and subject to change without notice.
Please refer to the installation guide before beginning the installation.



Produits Neptune

PIA 3260 BG AFR

Bathtub



*All dimensions are approximate and subject to change without notice.
Please refer to the installation guide before beginning the installation