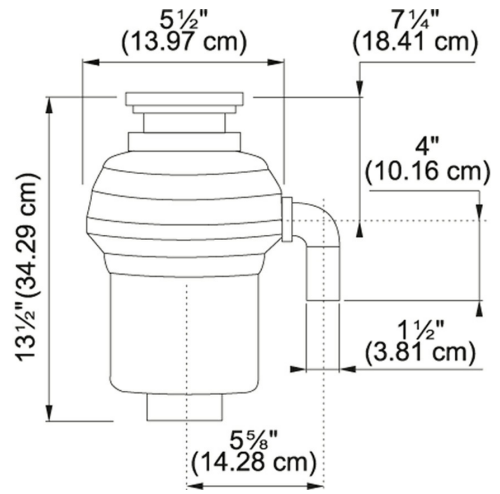


134.0255.890

FAMILY : Waste Management | SERIES : Waste disposers | MODEL : KWD50C1-EZ



TECHNICAL DATA

Voltage	110
Horse Power Waste Disposer	1/2-HP

134.0255.890

FAMILY : **Waste Management** | SERIES : **Waste disposers** | MODEL : **KWD50C1-EZ**

RELATED PRODUCTS



134.0262.596
