

ZEN 3466

65 3/4" x 34" x 22"



GENERAL OPTIONS

Acrylic Colors: White	Standard
Biscuit* and Bone* (Allow 3 weeks delivery)	
Others*: (Allow 6 to 8 weeks delivery)	
Chromotherapy 1 light (Specify trim color)	17.99999.0000.00
Chromotherapy 2 lights (Specify trim color)	17.99999.0001.00
Chromotherapy 4 lights (Specify trim color)	17.99999.0002.00
Handle (max. 2) (submit drawing with order)	95.7077.106.XX
Tiling Flange (submit drawing with order)	
ZEN 66 Removable Skirt (Not factory installed)	
D105 Waste (20") Chrome	62.4020.102.60
Gel black neck pillow (12"x 4 1/4 x 1 1/4")	18.6000.100.20
Rayola** (Specify control color)	

WHIRLPOOL OPTIONS

A bathtub fitted with back jets may cause the pump to protrude by +/- 3" from the overall dimension.

Whirlpool Jet finish: Chrome, White, Biscuit, Bone	Standard
110v Inline Heater	

MASS-AIR/ACTIV-AIR OPTIONS

Mass-Air Jet finish: White/Chrome	Standard
Biscuit/Chrome	
Bone/Chrome	
Others: Chrome/Chrome	
Activ-Air Jet finish: Chrome, White, Biscuit, Bone	Standard
Blower Hose extension 72"	95.5013.167.00
Blower Hose extension 96"	95.5013.168.00
144" Extension cord	95.3012.101.00
An extension cord and blower hose extension are necessary when the blower is located more than 2' from the electronic control, not available on whirlpool combos.	

*Customized products, non cancellable, non returnable.
**Not available with a neck pillow.

ZEN SKIRT*



*For 2", 3" or 4" top lip bathtub

PRODUCT DESCRIPTION:

Adjustable feet
Contemporary style
Gloss finish resistant to stains and discoloration
Acrylic thermoformed and reinforced with fiberglass
Available with 1"*, 2", 3"* and 4" flange

5 days

WATER CAPACITY: 79 gallons	IMMERSION: 15 3/4 po
BOX SIZE: 68" x 37" x 25"	
NET WEIGHT: 66 lbs	GROSS WEIGHT: 83 lbs

*Allow 3 weeks delivery.



Bathtub only

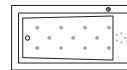
ZEN3466
(with armrests) ZEN3466W



Whirlpool

ZEN3466T
(with armrests) ZEN3466WT

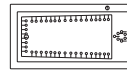
Included: 6 square turbo jets, 5 square micro-rotating jets, 13 A pump, diverter valve and electronic control..



Mass-Air

ZEN3466M
(with armrests) ZEN3466WM

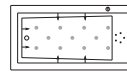
Included: 16 (11-5) injectors, Optima blower 750W (1 1/2h.p.) with 300W heating element and backlit electronic control.



Activ-Air

ZEN3466A
(with armrests) ZEN3466WA

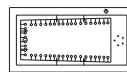
Included: 48 micro-jets, Optima blower 750W (1 1/2h.p.) with 300W heating element and backlit electronic control.



Mass-Air/Whirlpool Combo

ZEN3466C
(with armrests) ZEN3466WC

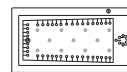
Included: 6 square turbo jets, 5 square micro-rotating back jets, 11 Mass-Air injectors, 13 A pump, Optima blower 750W (1 1/2h.p.) with 300W heating element, diverter valve and backlit electronic control.



Activ-Air/Whirlpool Combo

ZEN3466CA
(with armrests) ZEN3466WCA

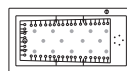
Included: 6 square turbo jets, 5 square micro-rotating back jets, 42 Activ-Air micro-jets, 13 A pump, Optima blower 750W (1 1/2h.p.) with 300W heating element, diverter valve and backlit electronic control.



Mass-Air/Activ-Air Combo

ZEN3466CMA
(with armrests) ZEN3466WCMA

Included: 48 Activ-Air micro-jets, 11 Mass-Air injectors, two Optima blowers 750W (1 1/2h.p.) with 300W heating element and backlit electronic control.



Activ-Air/Mass-Air/Whirlpool Combo

ZEN3466TAM
(with armrests) ZEN3466WTAM

Included: 6 square turbo jets, 5 square micro-rotating back jets, 42 Activ-Air micro jets, 11 Mass-Air injectors, 13 A pump, two Optima blowers 750W (1 1/2h.p.) with 300W heating element, diverter valve and backlit electronic control.



Intertek

COMPLIANCE ATTESTATION
Standard bathtubs
CAN / CSA.B45.5
Hydromassage Standards
CAN / CSA.B45.10 / CSA.C22.2 / UL-1795



Certification ECORESPONSIBLE
First manufacturer of bathroom products in
North America to be certified ecoresponsible.



Produits Neptune

6835, Picard street, Saint-Hyacinthe (Quebec) J2S 1H3
Phone: (450) 773-7058 - produitsneptune.com

REV: 01-21

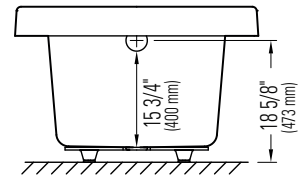
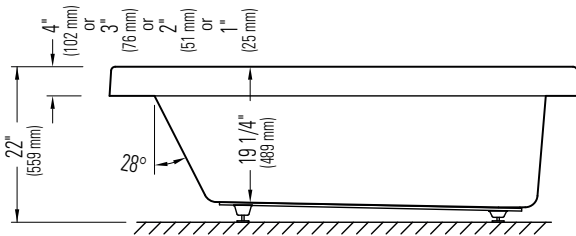
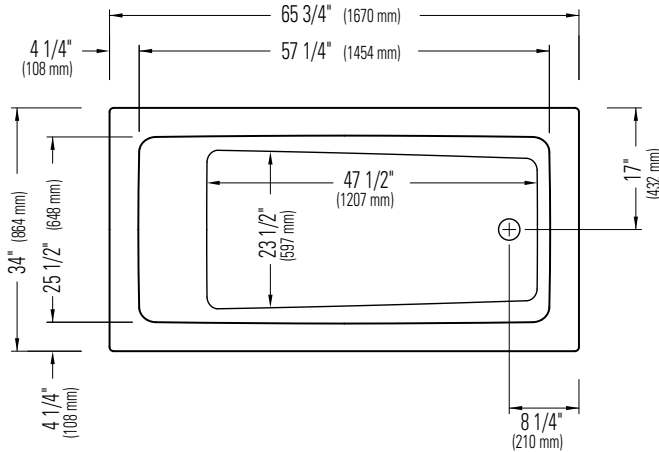


Produits Neptune

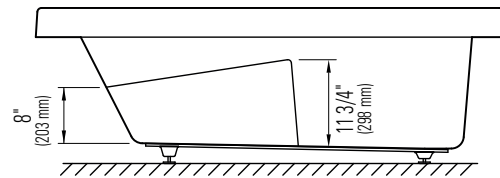
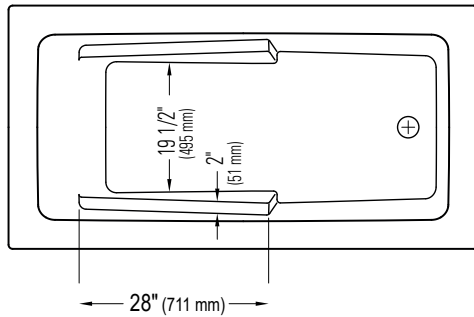
ZEN 3466 WITH OR WITHOUT ARMRESTS

Bathtub

Without armrests



With armrests



*A bathtub fitted with back jets can cause the pump to protrude by approximately 3" from the overall dimension.

**All dimensions are approximate and subject to change without notice. Please refer to the installation guide before beginning the installation