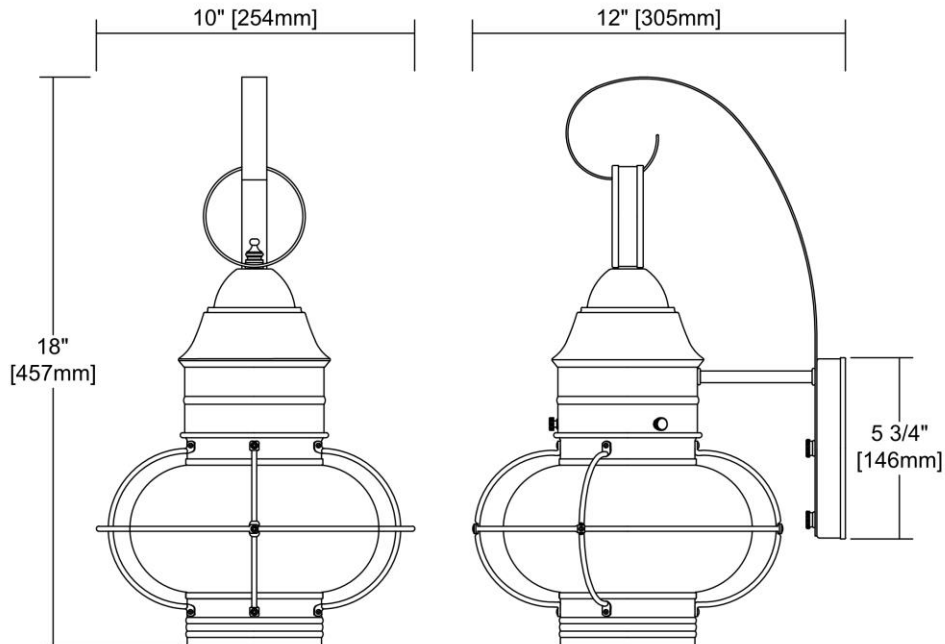




|                    |   |
|--------------------|---|
| <b>ITEM #:</b>     | 57171/1   |
| <b>UPC</b>         | 748119128528                                    |
| <b>Description</b> | Onion 1-Light Outdoor Wall Lantern in Aged Zinc |
| <b>Finish</b>      | Aged Zinc                                       |
| <b>Materials</b>   | Glass, Metal                                    |
| <b>Brand</b>       | ELK Lighting                                    |
| <b>Collection</b>  | Onion   |
| <b>Category</b>    | Outdoor Lighting                                |
| <b>Type</b>        | Sconce  |

| ITEM DIMENSIONS           |           |  |             | RATINGS & SPECIFICATIONS       |                         |                |                        |                       |
|---------------------------|-----------|--|-------------|--------------------------------|-------------------------|----------------|------------------------|-----------------------|
| <b>Width</b>              | 10 inches |  |             | <b>Safety Rating</b>           | N/A                     |                | <b>Certification</b>   | N/A                   |
| <b>Depth</b>              | 12 inches |  |             | <b>ADA Compliant</b>           | N/A                     |                | <b>Voltage</b>         | N/A                   |
| <b>Height</b>             | 18 inches |  |             | <b>BULBS / SOCKETS</b>         |                         |                |                        |                       |
| <b>Weight</b>             | 4 pounds  |  |             | <b>Quantity</b>                | 1                       | <b>Wattage</b> | 60 watts               |                       |
| ADDITIONAL DIMENSIONS     |           |  |             | <b>Included</b>                | No                      |                | <b>Type</b>            | A19 (E26 Medium Base) |
| <b>Backplate / Canopy</b> | 6x4.75    |  |             | <b>Other</b>                   | N/A                     |                |                        |                       |
| <b>HCWO</b>               | N/A       |  |             | CHAIN / CORD INFORMATION       |                         |                |                        |                       |
| <b>Min. Extension</b>     | N/A       |  |             | <b>Chain</b>                   | N/A                     |                | <b>Cord</b>            | N/A                   |
| <b>Max. Extension</b>     | N/A       |  |             | SHADE / GLASS DETAILS          |                         |                |                        |                       |
| OVERALL HEIGHT            |           |  |             | <b>Shade/Glass Description</b> | Clear Blown Seedy Glass |                |                        |                       |
| <b>Min.</b>               | N/A       |  | <b>Max.</b> | N/A                            |                         |                |                        |                       |
| EXTENSION ROD(S)          |           |  |             | <b>Width</b>                   | N/A                     |                | <b>Height</b>          | N/A                   |
| N/A                       |           |  |             | <b>Width at Top</b>            | N/A                     |                | <b>Width at Bottom</b> | N/A                   |



Rev. 5/9/2019



|                    |  |
|--------------------|--|
| <b>ITEM #:</b>     | 57181/1  |
| <b>UPC</b>         | 748119128566   |
| <b>Description</b> | Onion 1-Light Outdoor Wall Lamp in Oil Rubbed Bronze |
| <b>Finish</b>      | Oil Rubbed Bronze                                    |
| <b>Materials</b>   | Glass, Metal   |
| <b>Brand</b>       | ELK Lighting   |
| <b>Collection</b>  | Onion  |
| <b>Category</b>    | Outdoor Lighting                                     |
| <b>Type</b>        | Sconce   |

| ITEM DIMENSIONS              |           |             |     | RATINGS & SPECIFICATIONS        |                         |                |                        |     |
|------------------------------|-----------|-------------|-----|---------------------------------|-------------------------|----------------|------------------------|-----|
| <b>Width</b>                 | 10 inches |             |     | <b>Safety Rating</b>            | N/A                     |                | <b>Certification</b>   | N/A |
| <b>Depth</b>                 | 12 inches |             |     | <b>ADA Compliant</b>            | N/A                     |                | <b>Voltage</b>         | N/A |
| <b>Height</b>                | 18 inches |             |     | <b>BULBS / SOCKETS</b>          |                         |                |                        |     |
| <b>Weight</b>                | 4 pounds  |             |     | <b>Quantity</b>                 | 1                       | <b>Wattage</b> | 60 watts               |     |
| <b>ADDITIONAL DIMENSIONS</b> |           |             |     | <b>Included</b>                 | No                      | <b>Type</b>    | A19 (E26 Medium Base)  |     |
| <b>Backplate / Canopy</b>    | 6x4.75    |             |     | <b>Other</b>                    | N/A                     |                |                        |     |
| <b>HCWO</b>                  | N/A       |             |     | <b>CHAIN / CORD INFORMATION</b> |                         |                |                        |     |
| <b>Min. Extension</b>        | N/A       |             |     | <b>Chain</b>                    | N/A                     |                | <b>Cord</b>            | N/A |
| <b>Max. Extension</b>        | N/A       |             |     | <b>SHADE / GLASS DETAILS</b>    |                         |                |                        |     |
| <b>OVERALL HEIGHT</b>        |           |             |     | <b>Shade/Glass Description</b>  | Clear Blown Seedy Glass |                |                        |     |
| <b>Min.</b>                  | N/A       | <b>Max.</b> | N/A |                                 |                         |                |                        |     |
| <b>EXTENSION ROD(S)</b>      |           |             |     | <b>Width</b>                    | N/A                     |                | <b>Height</b>          | N/A |
| N/A                          |           |             |     | <b>Width at Top</b>             | N/A                     |                | <b>Width at Bottom</b> | N/A |

