

artos[®]

PS140

INSTALLATION GUIDE

premier series shower set

BRUSHED NICKEL(PS140BN)



CHROME(PS140CH)



artos[®]

PS140

premier series shower set

OPERATING SPECIFICATIONS



FEATURES

Solid Brass
2-Outlets

INCLUDES

F903B-58TK
F907-5
F907-60



OPERATING PRESSURE

Minimum: 15 psi
Maximum: 75 psi
Above 90psi it may be necessary to install a pressure reducer

OPERATING TEMPERATURE

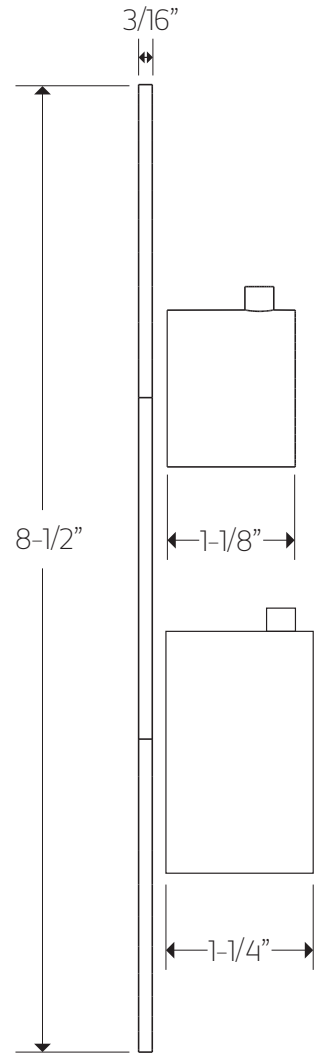
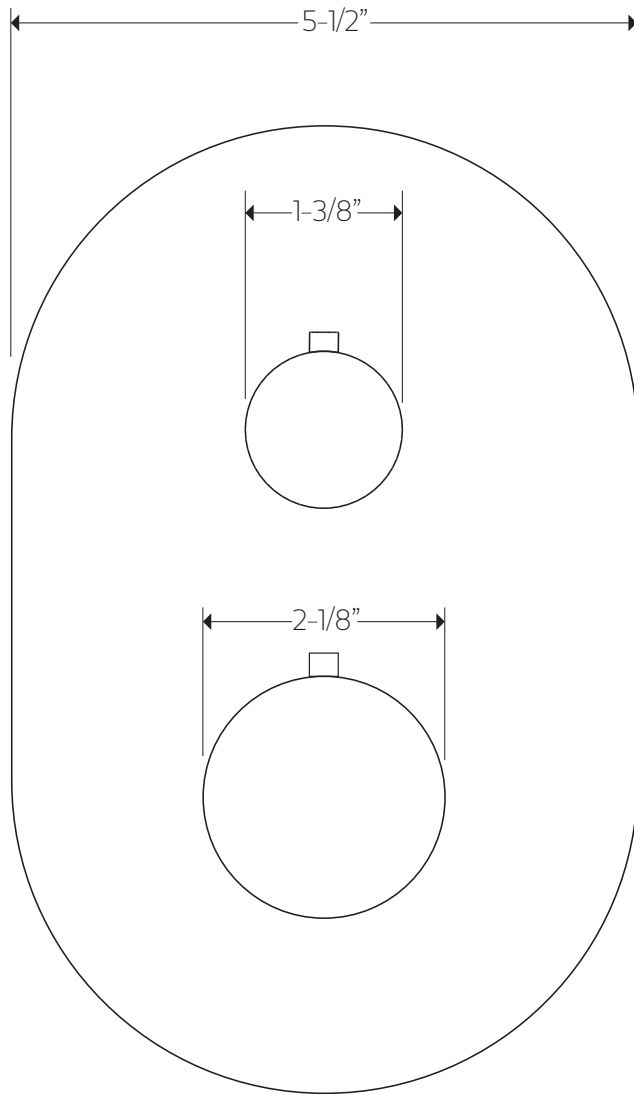
Maximum: 176°

FLOW CAPACITY

Hand Shower: 2.0 USGPM
Shower Head: 1.8 USGPM

F901-8 APPROVAL





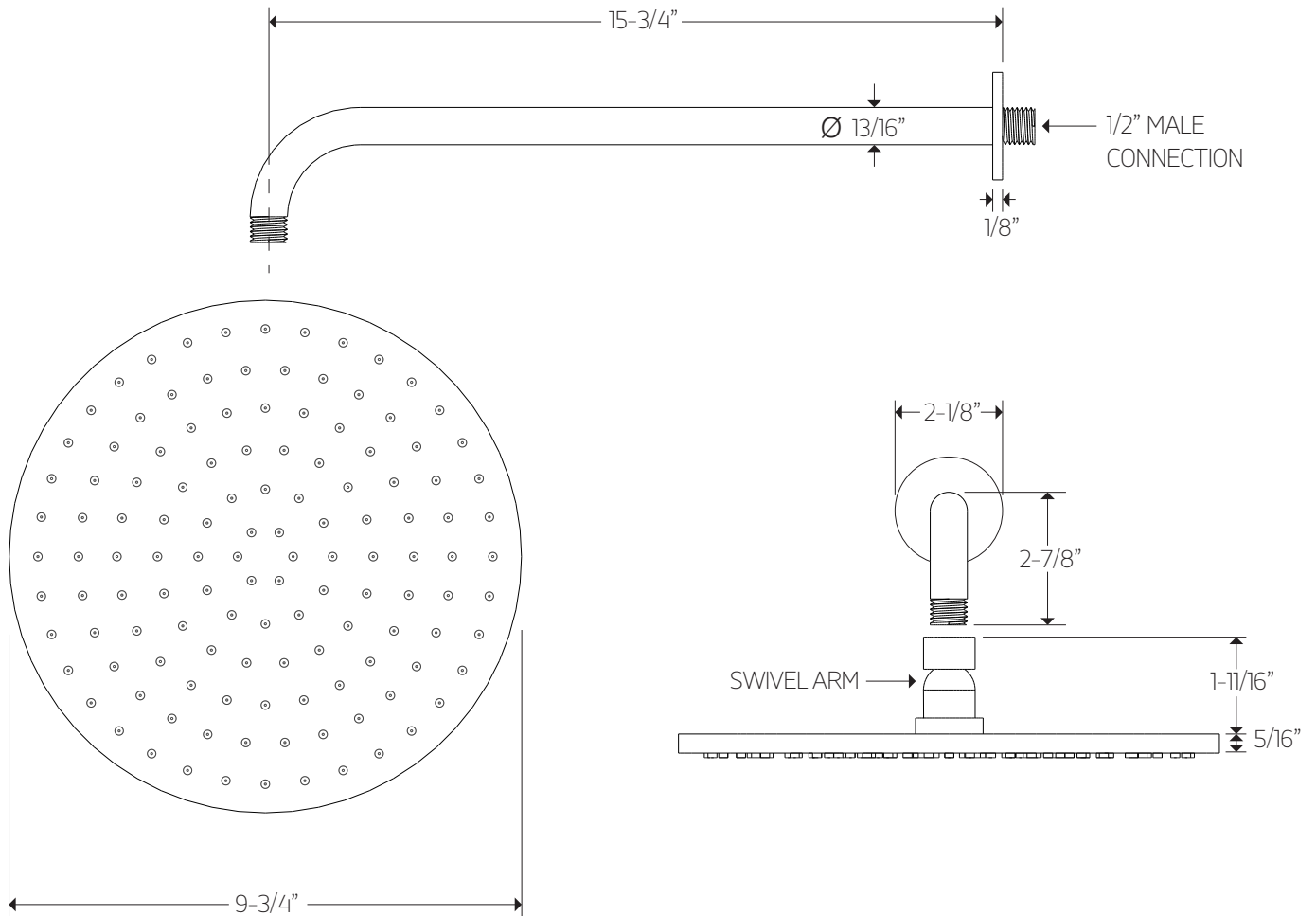
artos[®]

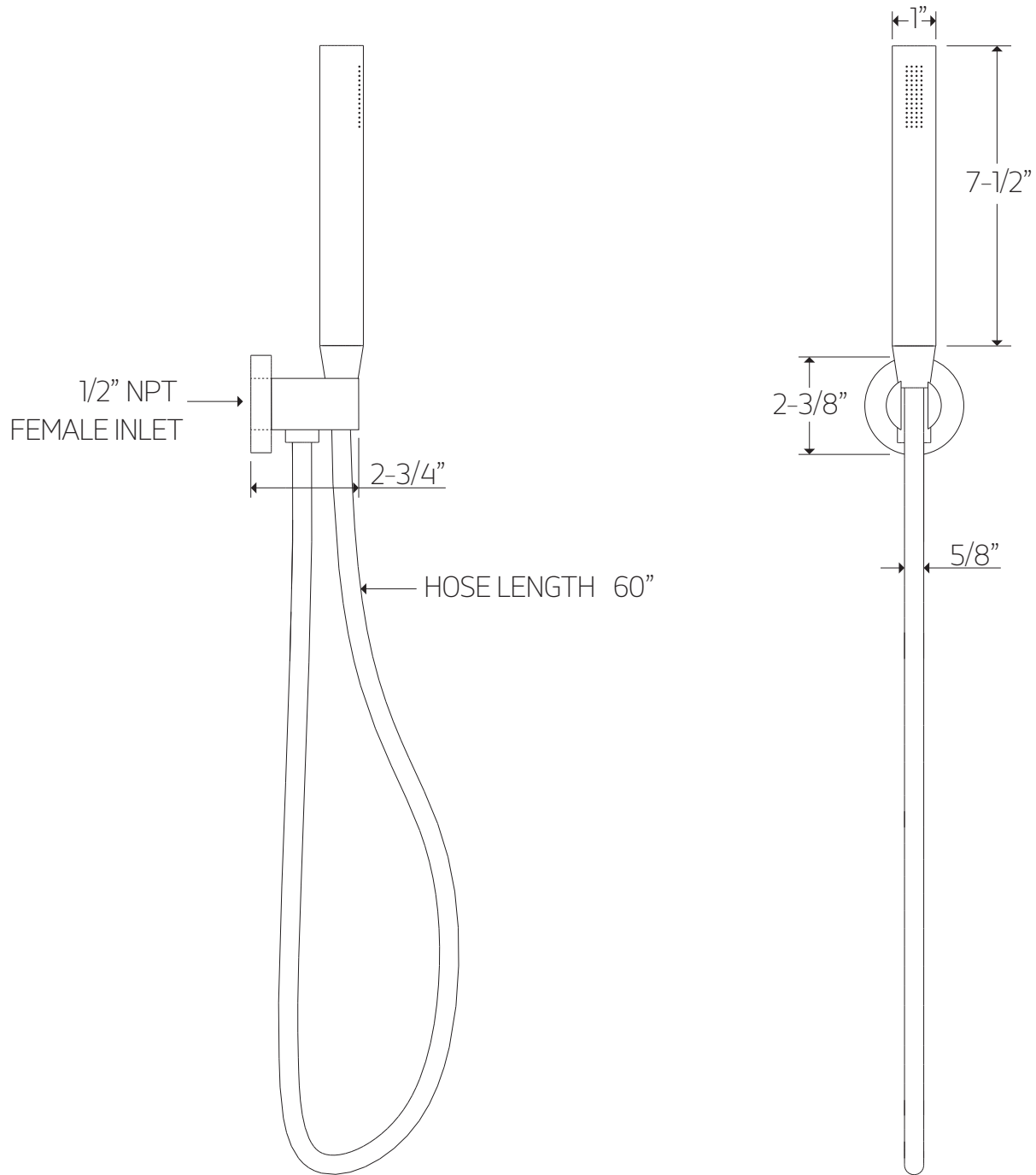
PS140

premier series shower set

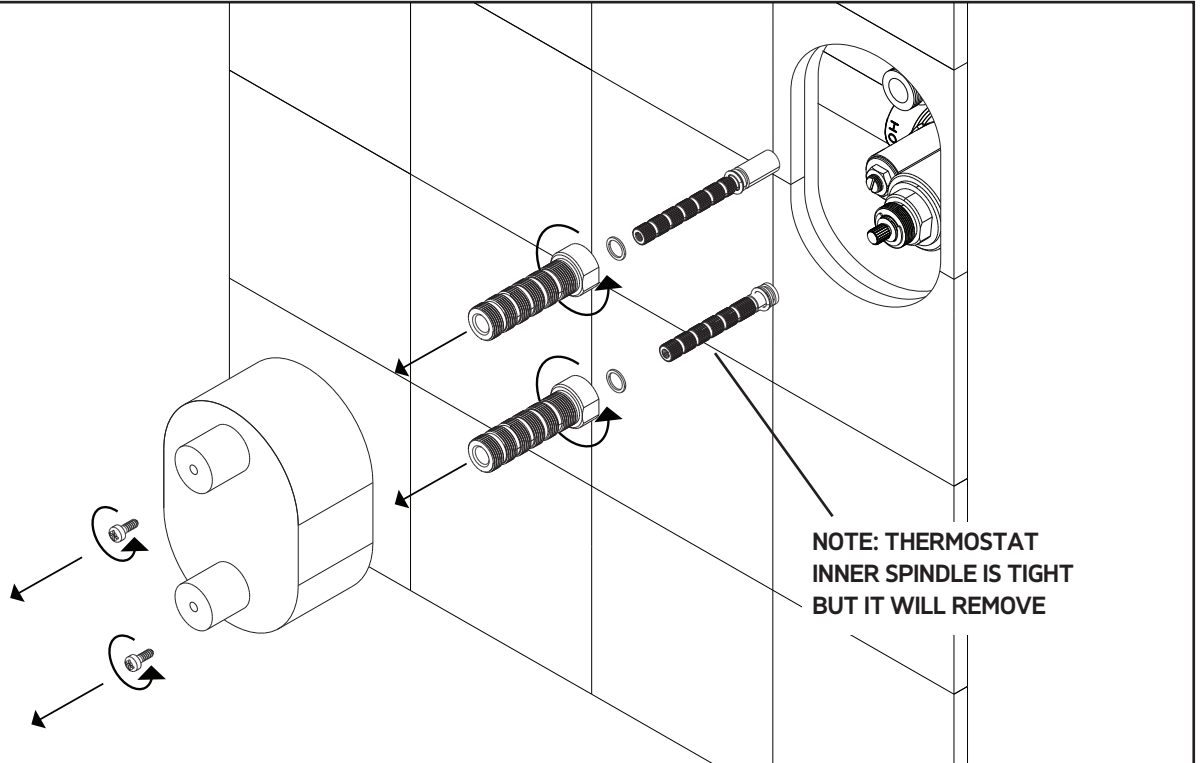
PRODUCT DIMENSIONS

for F907-60

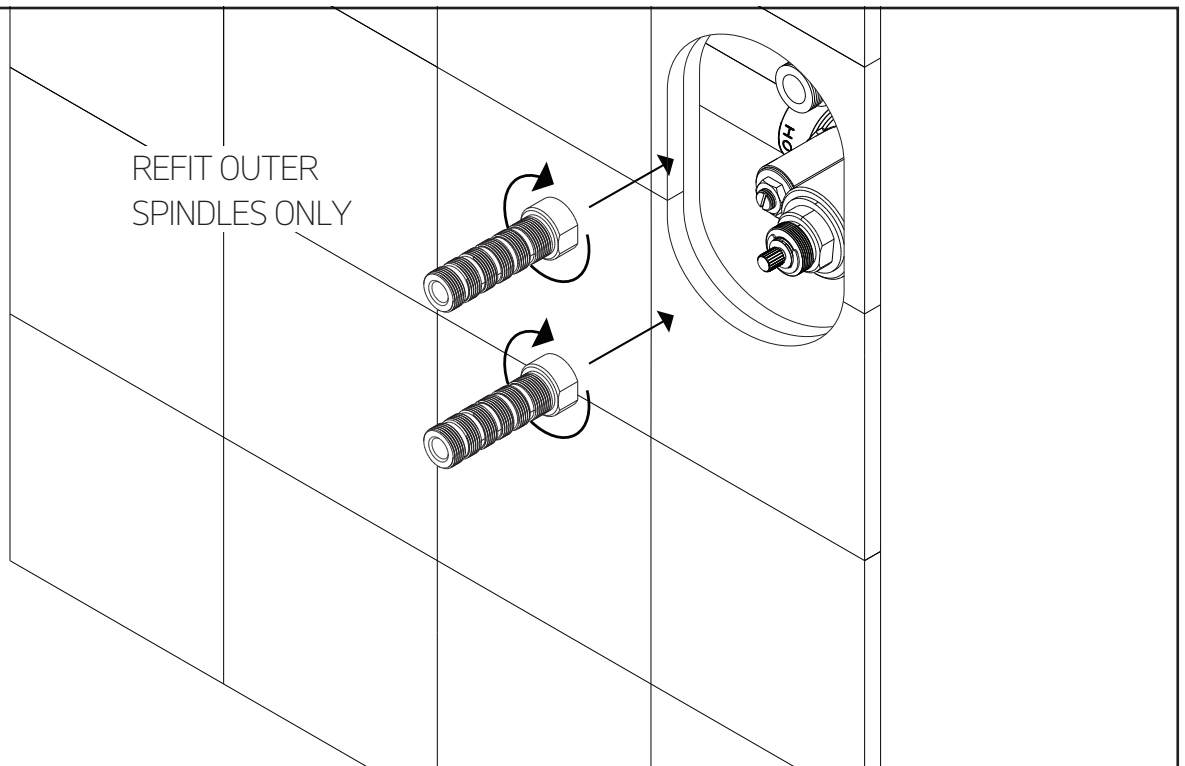




STEP 1



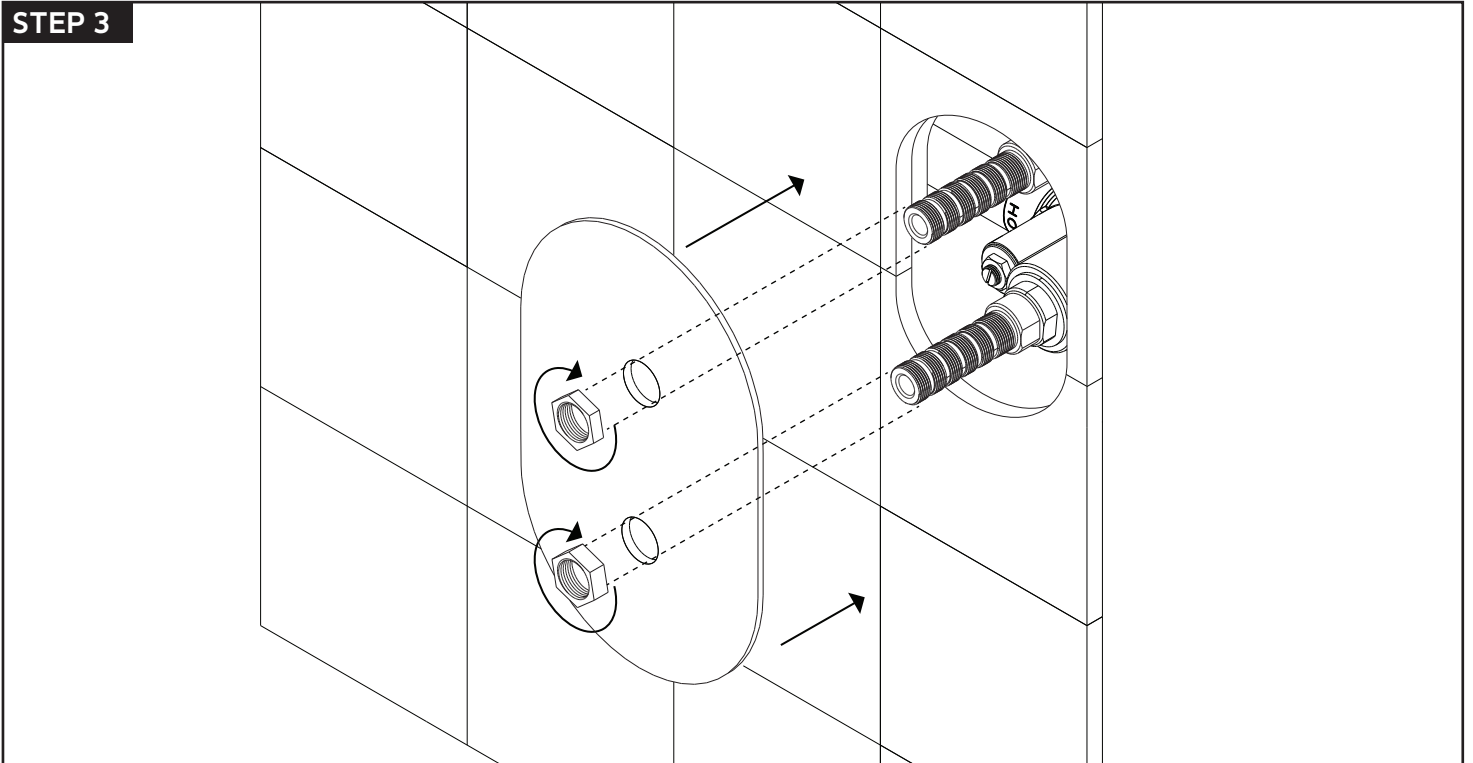
STEP 2



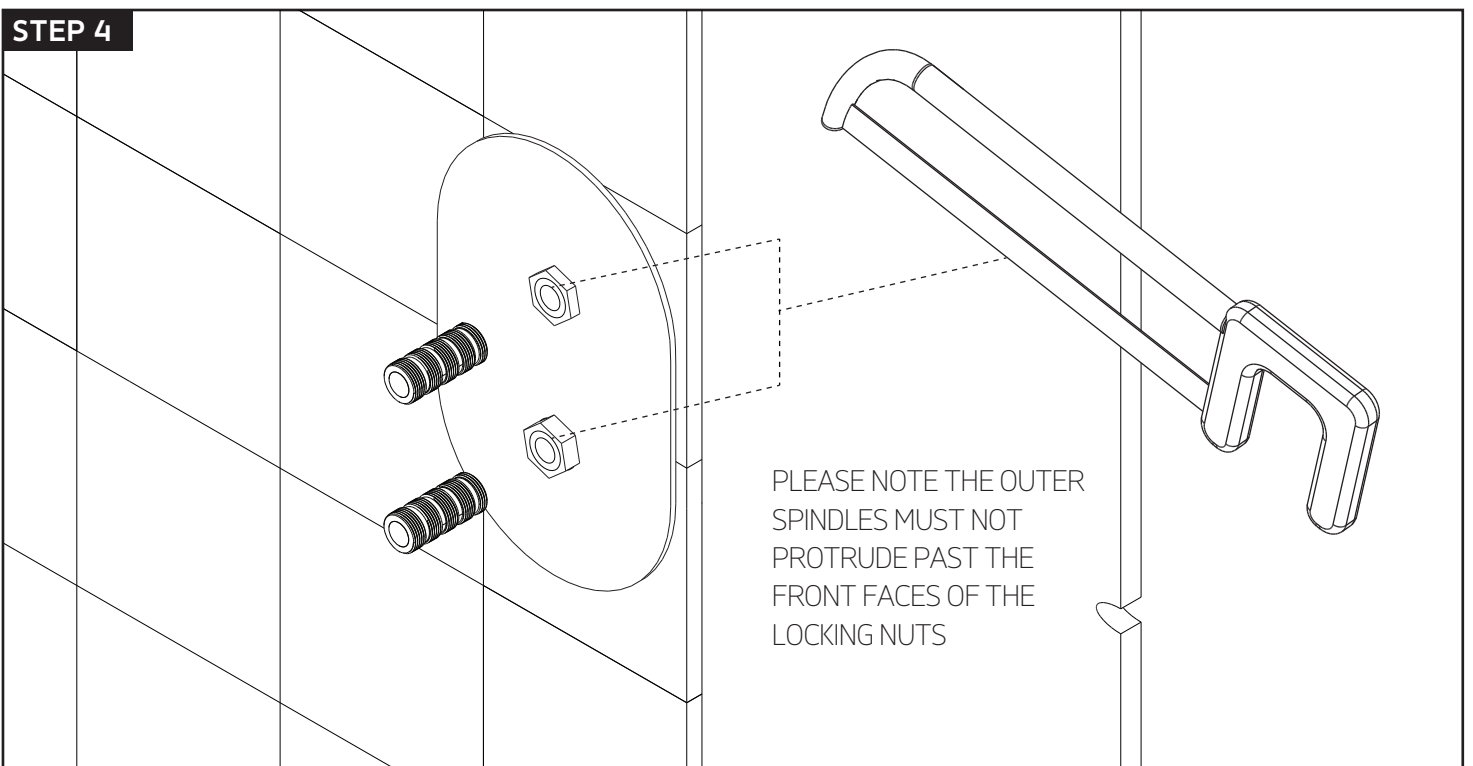
INSTALLATION STEPS

for F903B-58TK

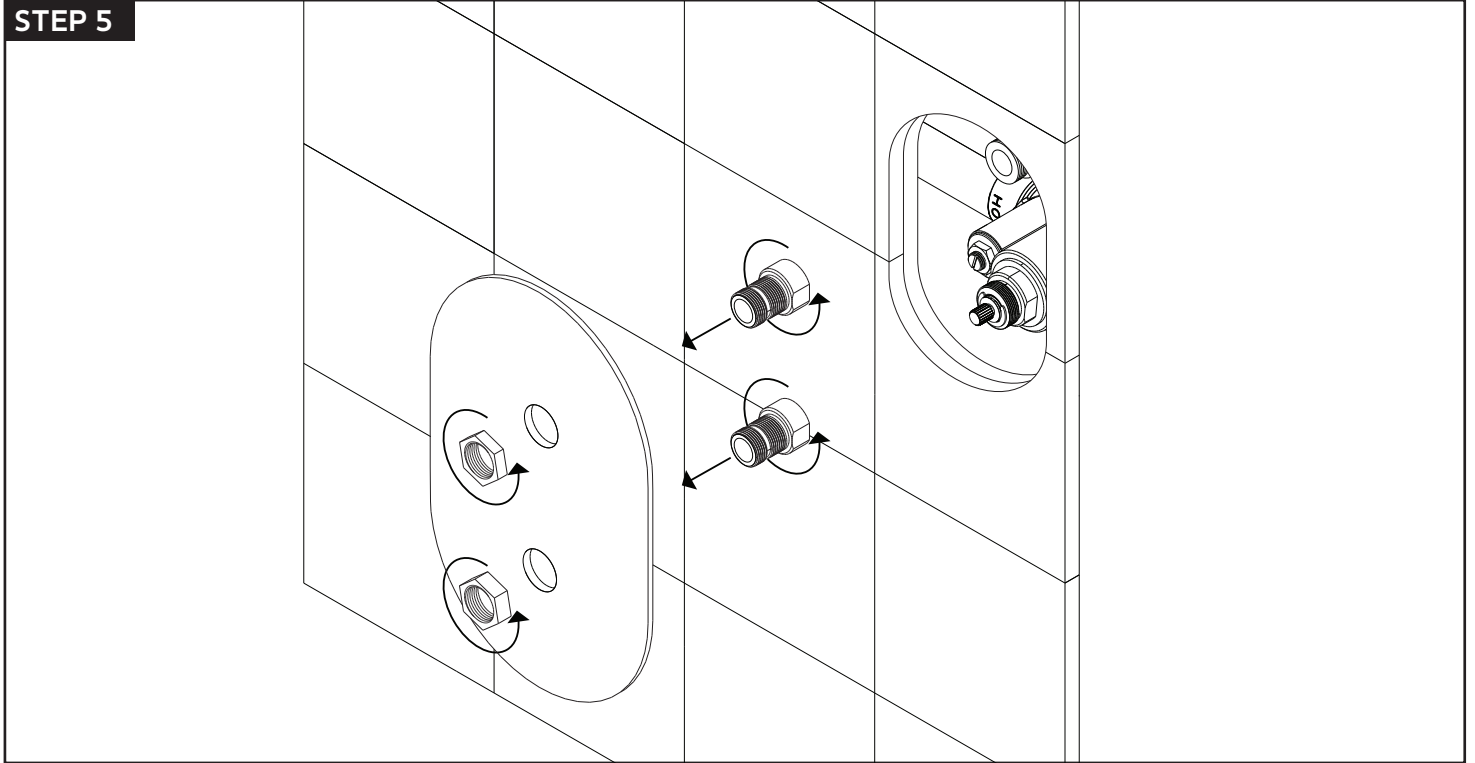
STEP 3



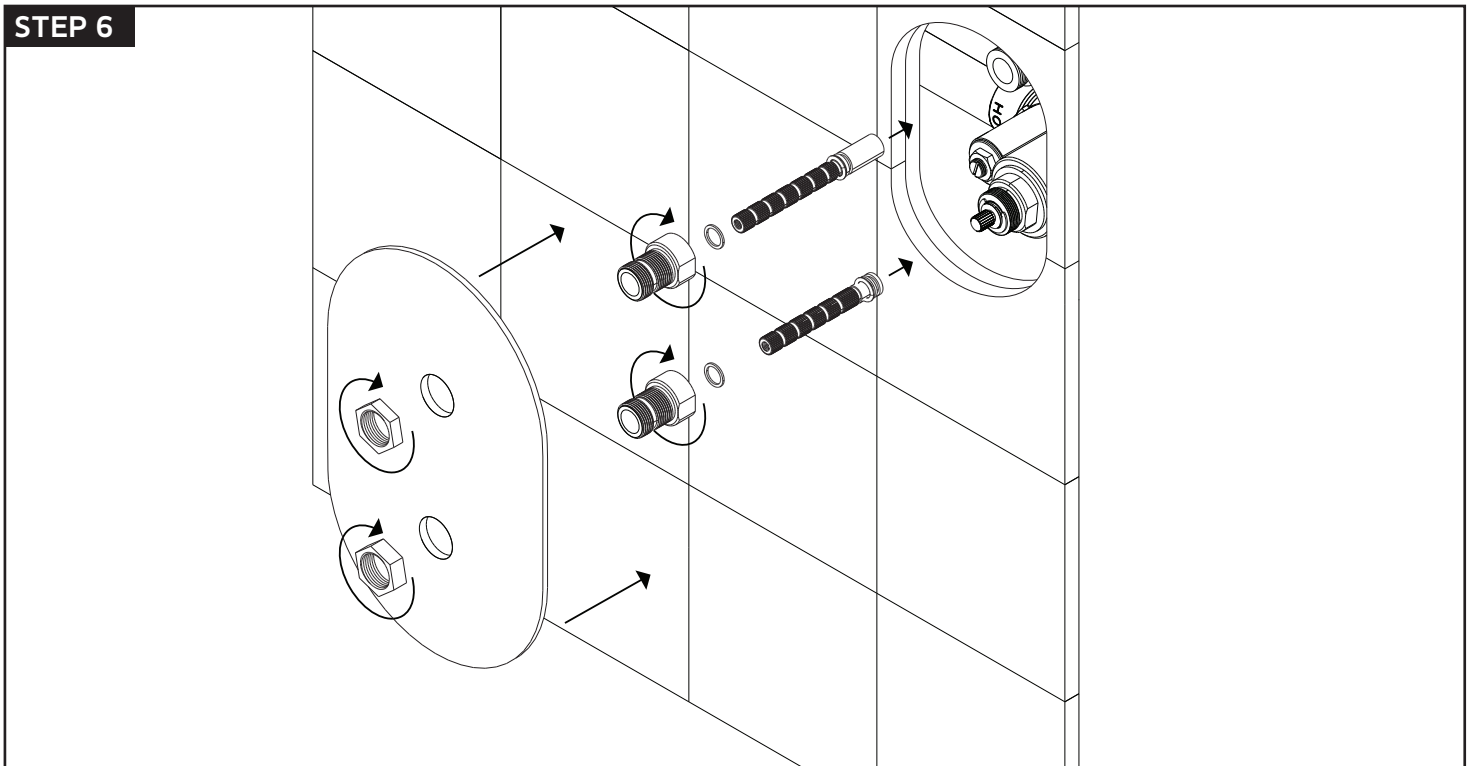
STEP 4



STEP 5



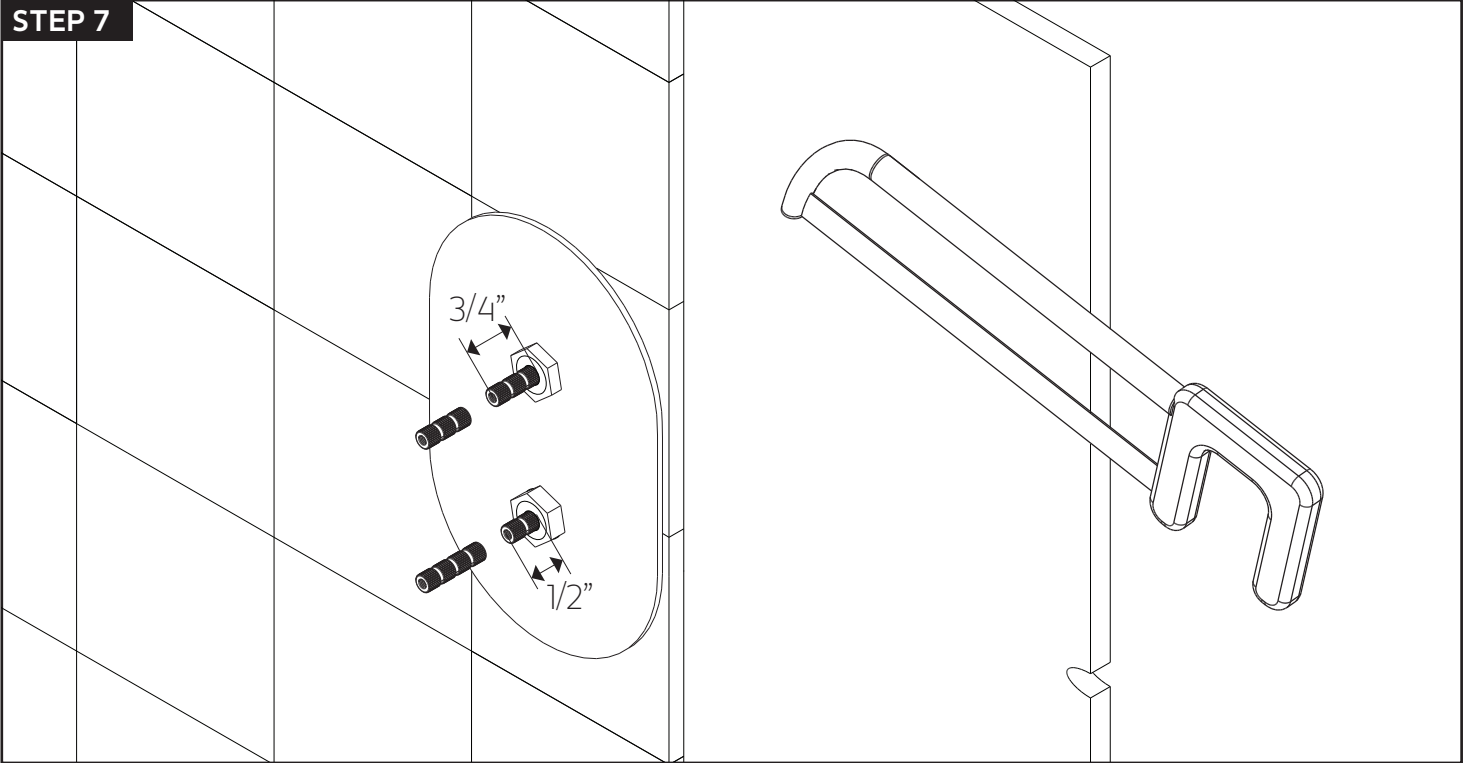
STEP 6



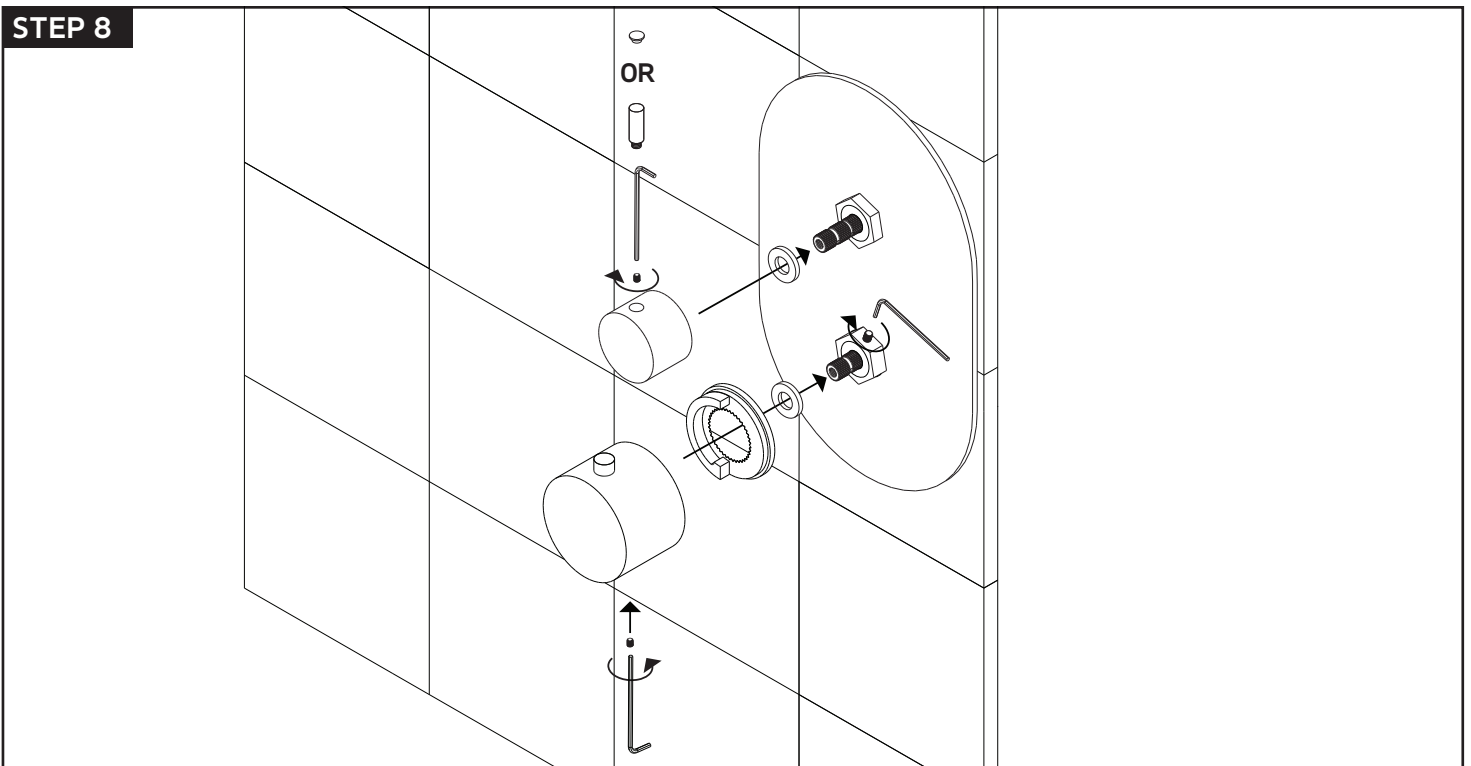
INSTALLATION STEPS

for F903B-58TK

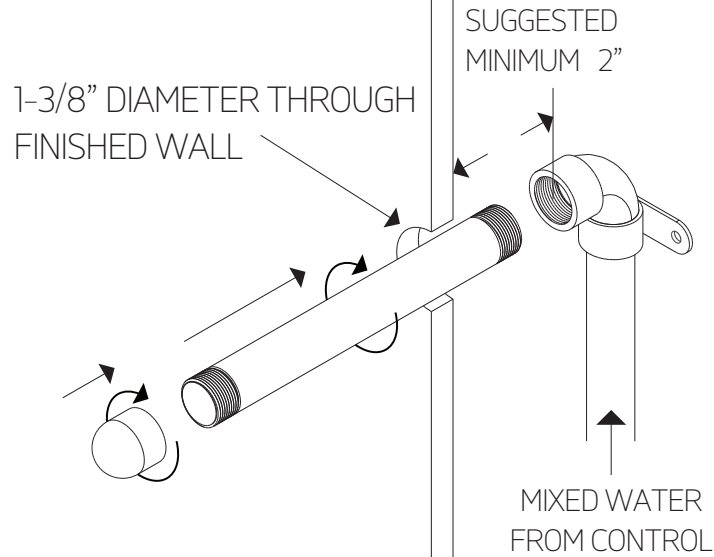
STEP 7



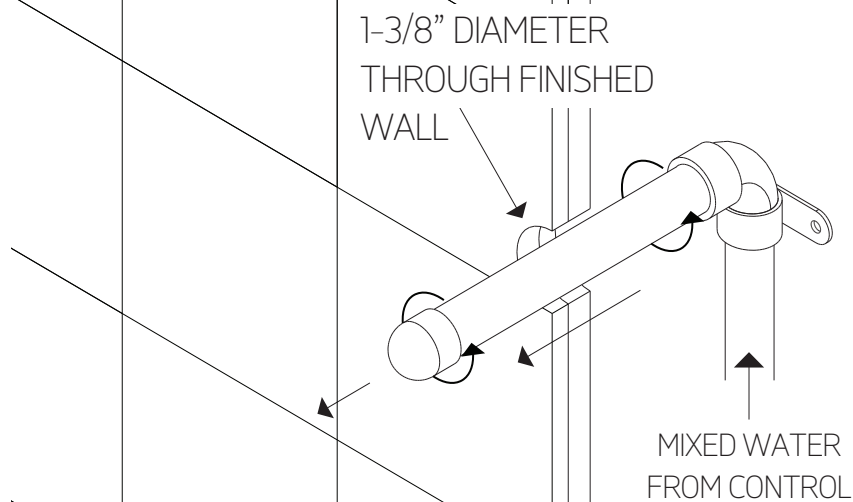
STEP 8



STEP 1



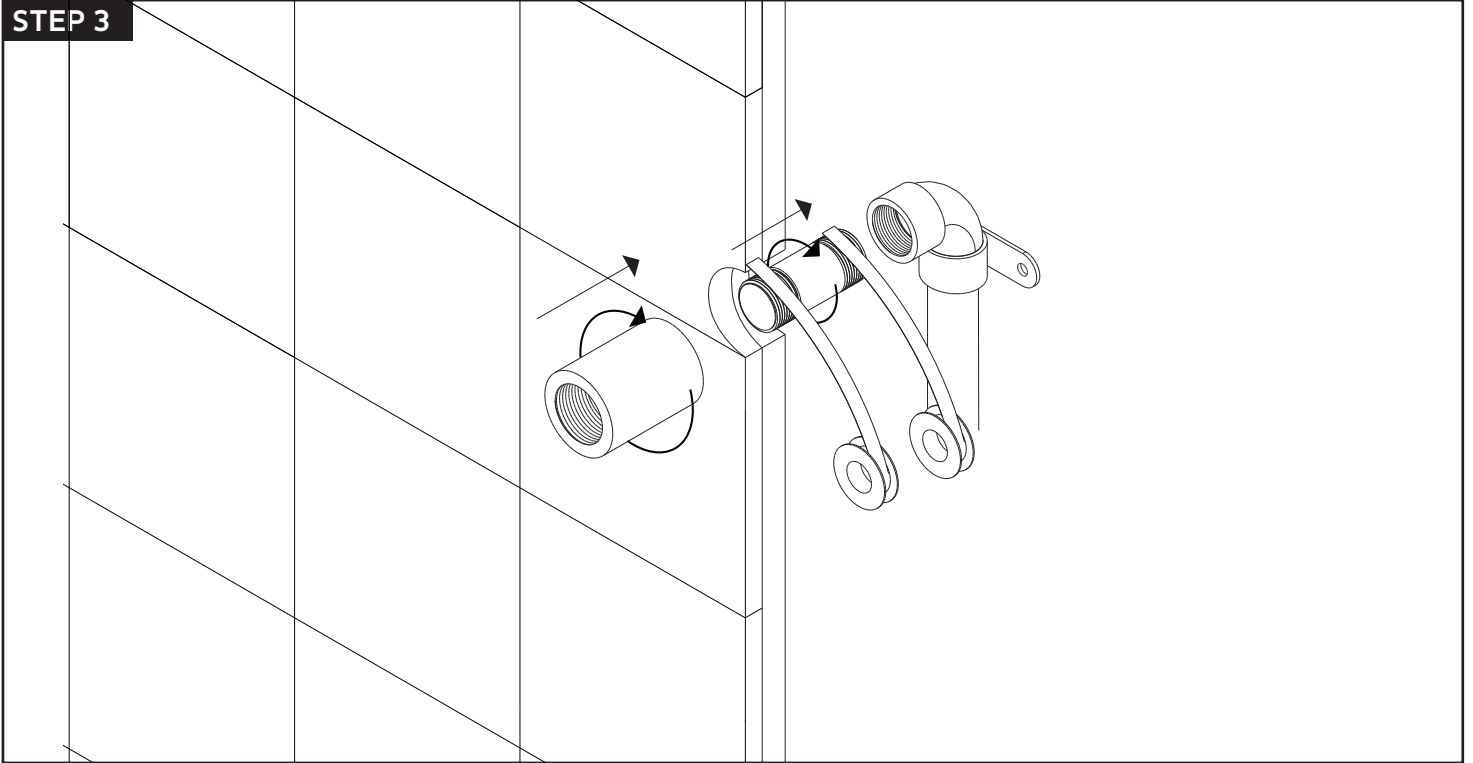
STEP 2



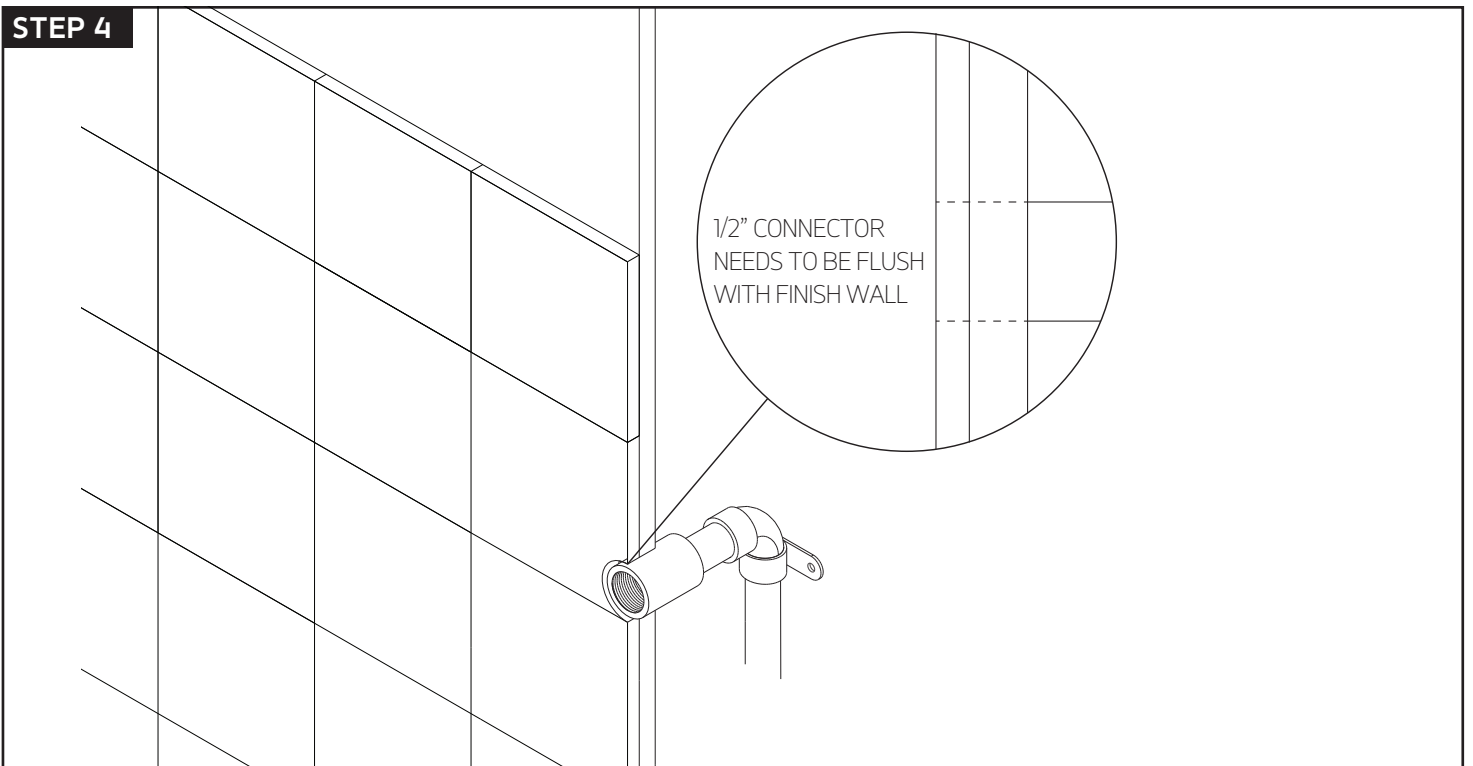
INSTALLATION STEPS

for F907-60

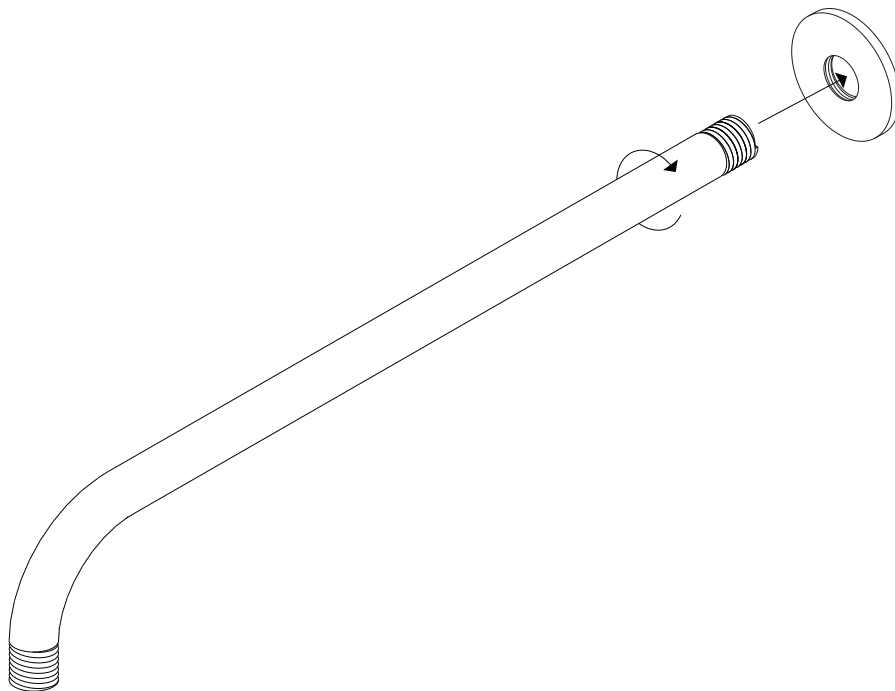
STEP 3



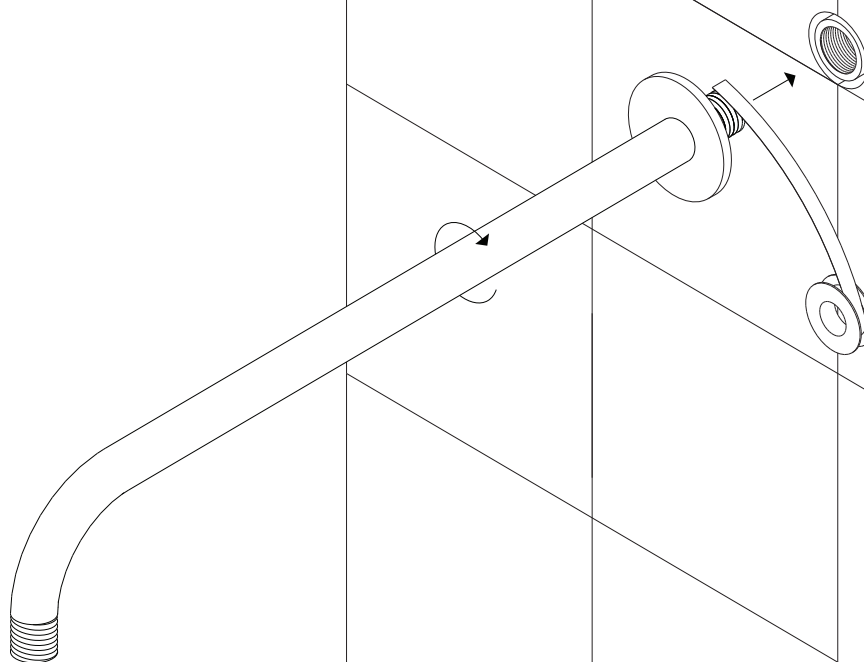
STEP 4



STEP 5



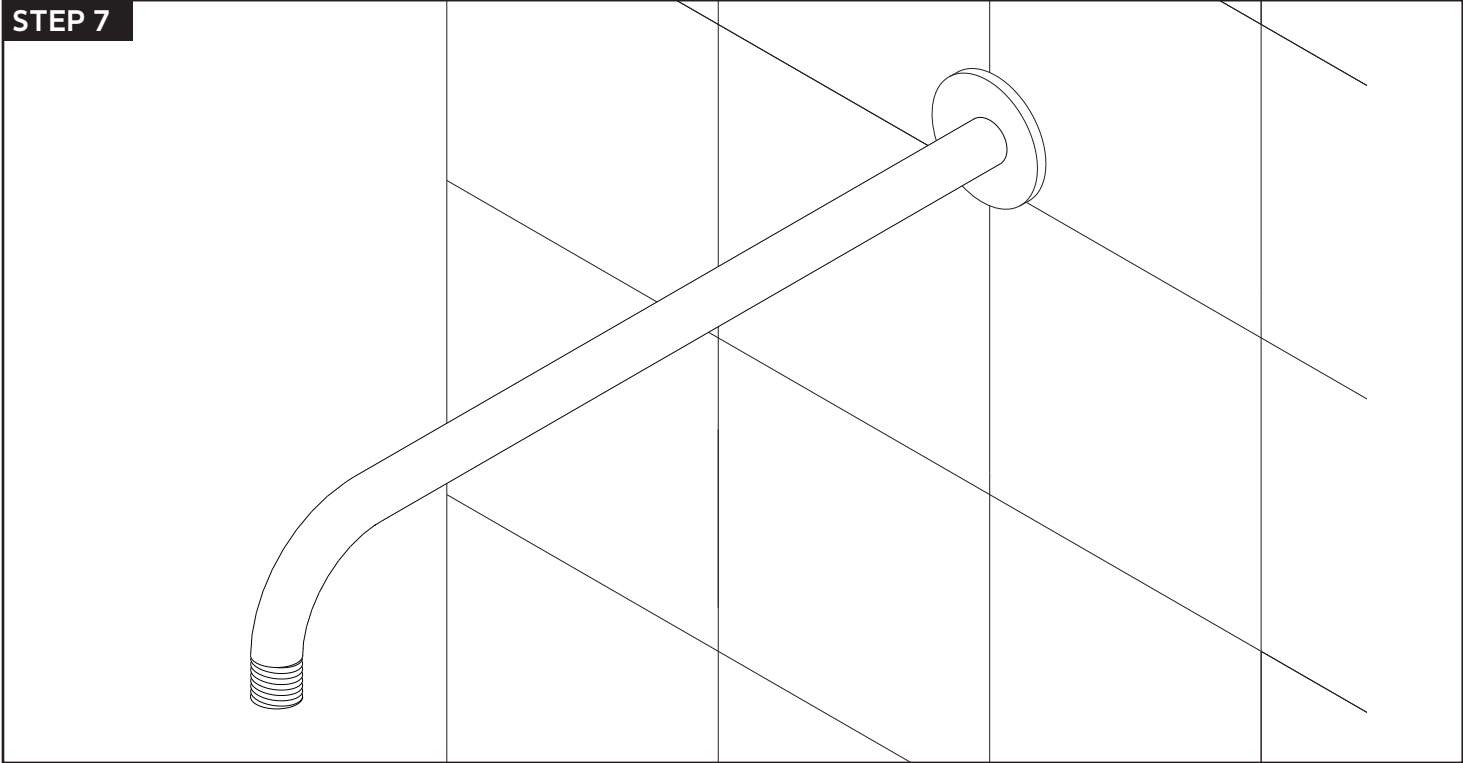
STEP 6



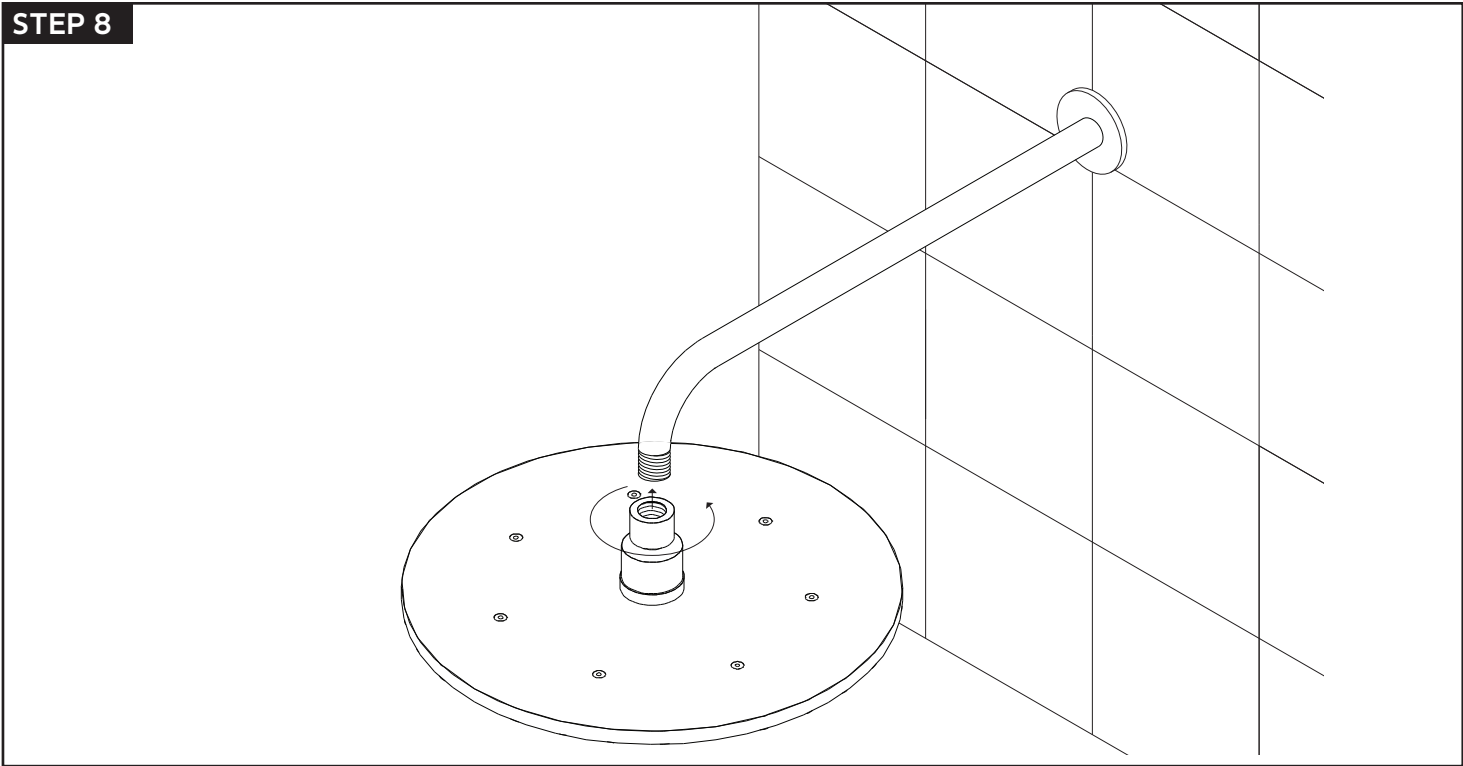
INSTALLATION STEPS

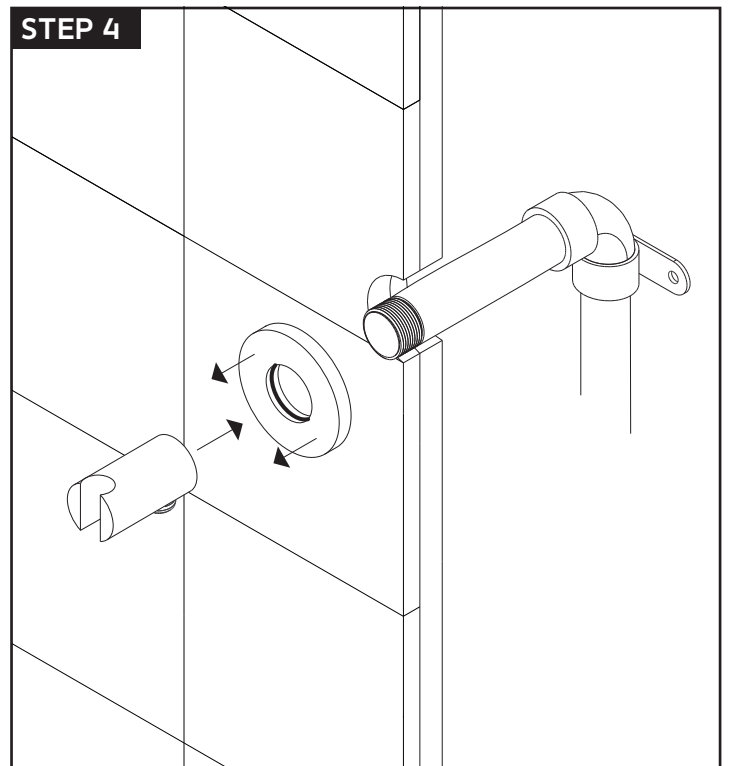
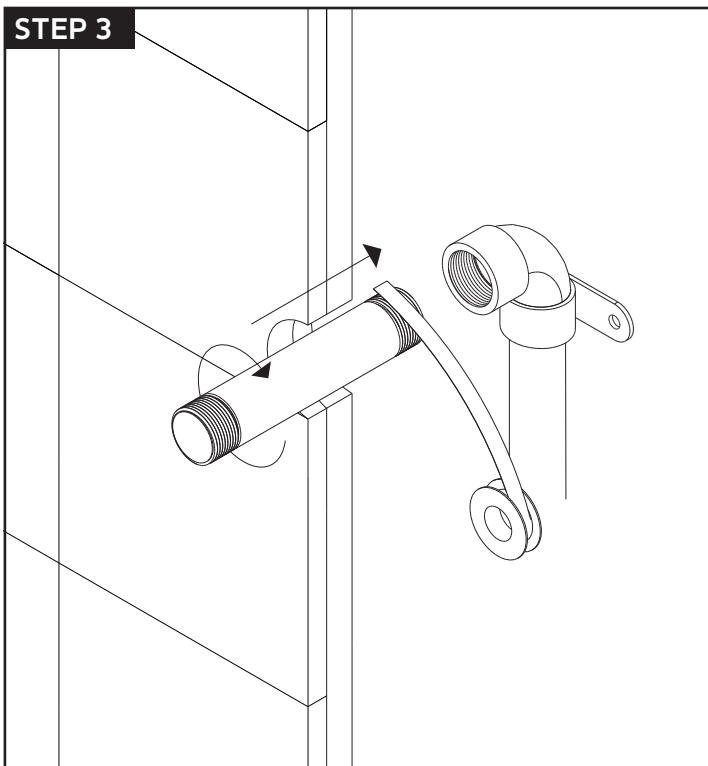
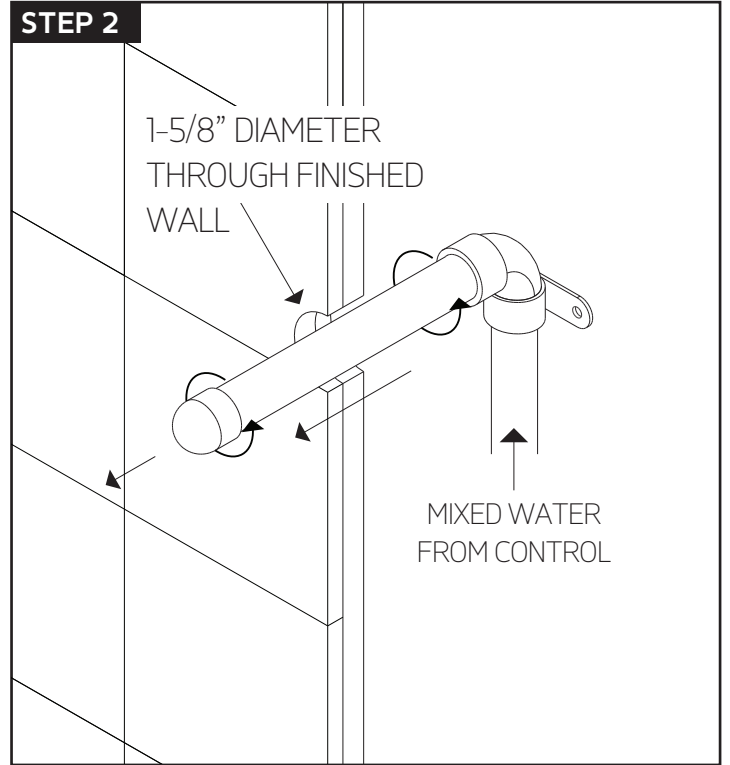
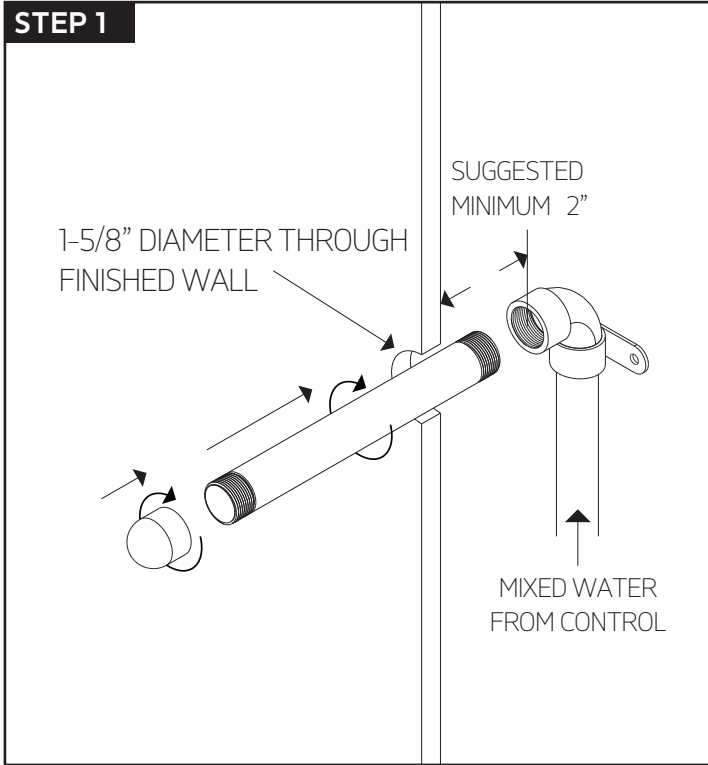
for F907-60

STEP 7



STEP 8

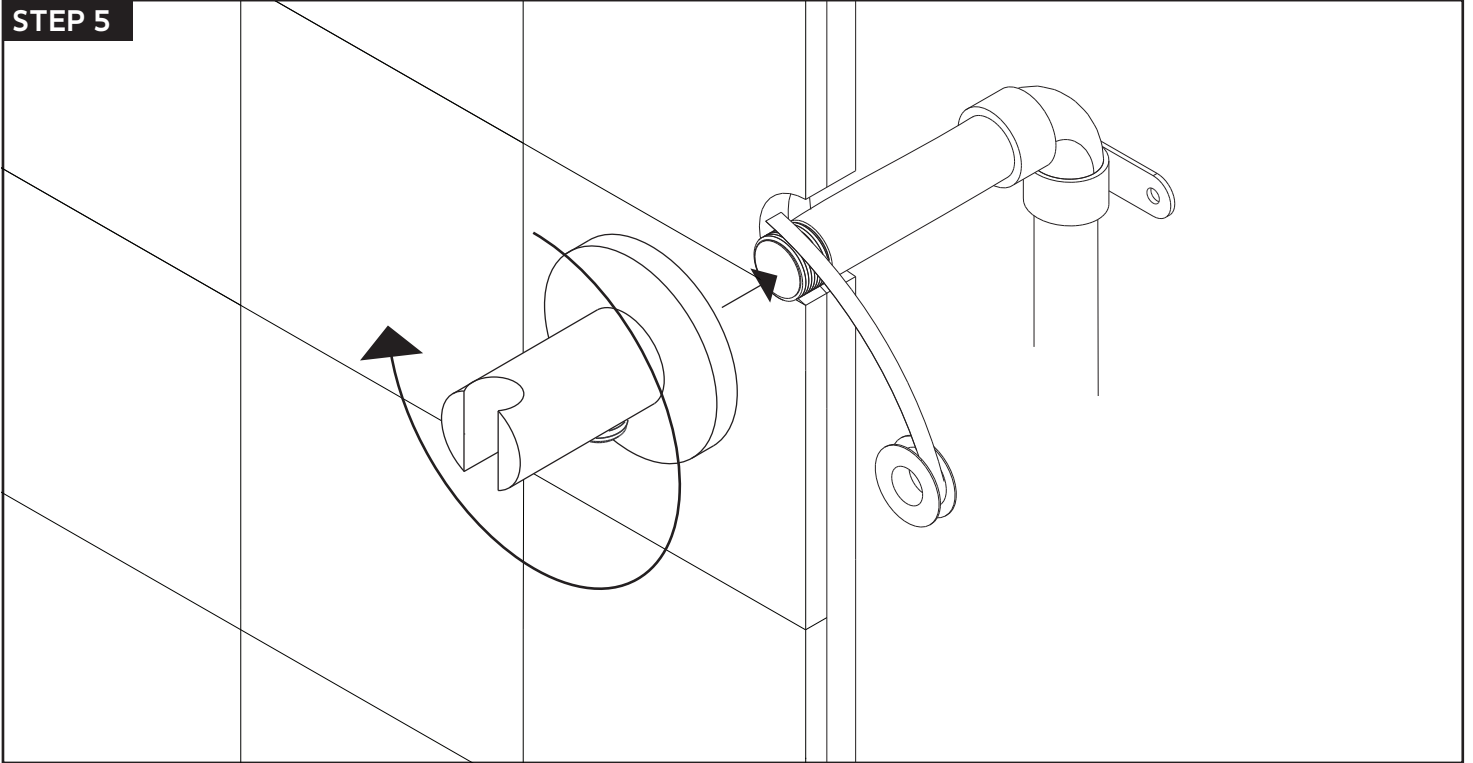




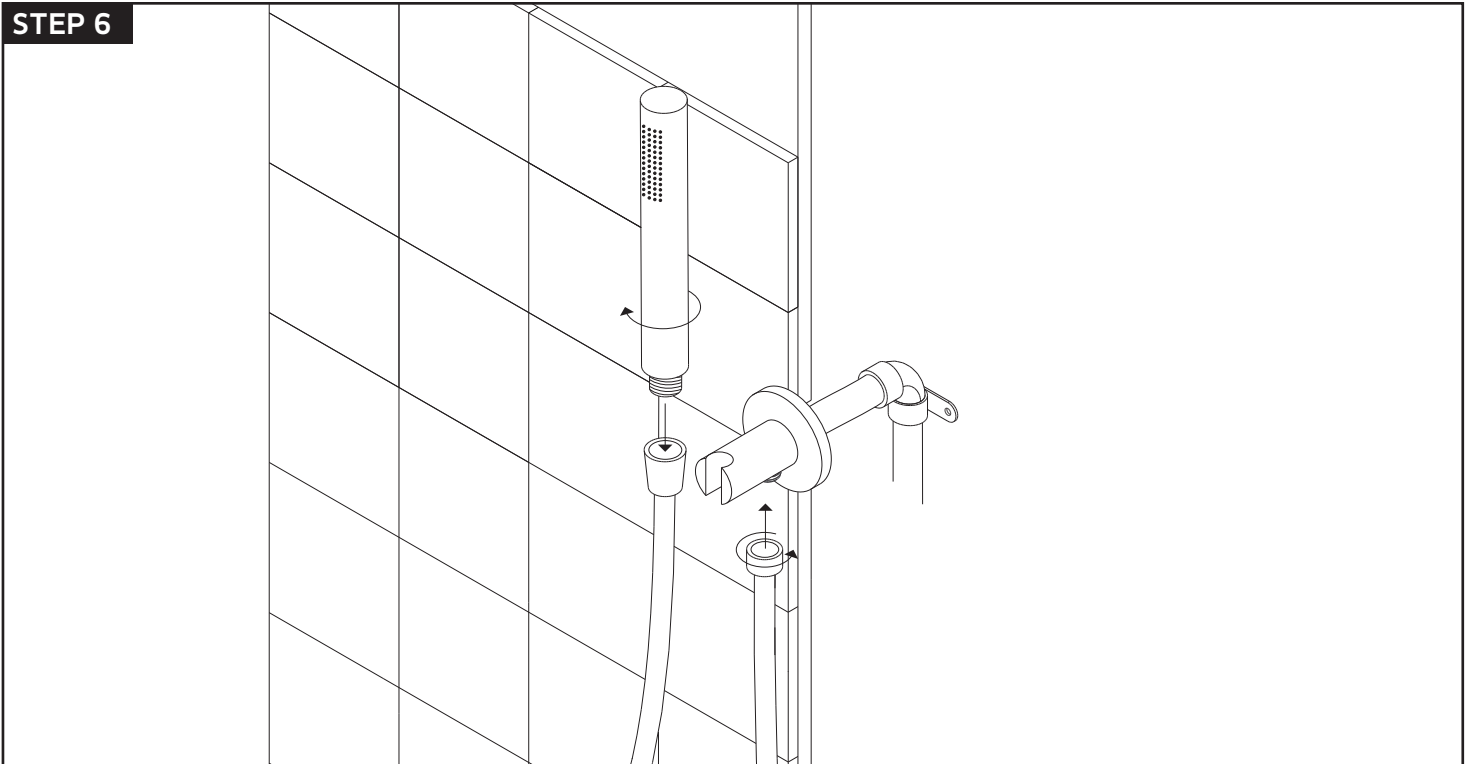
INSTALLATION STEPS

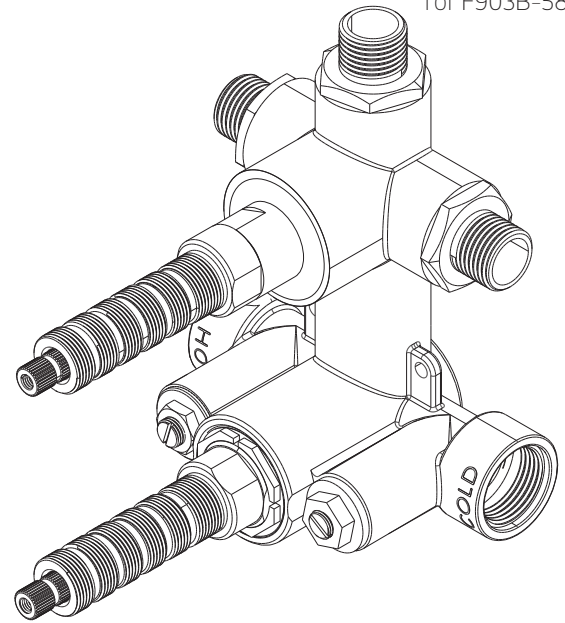
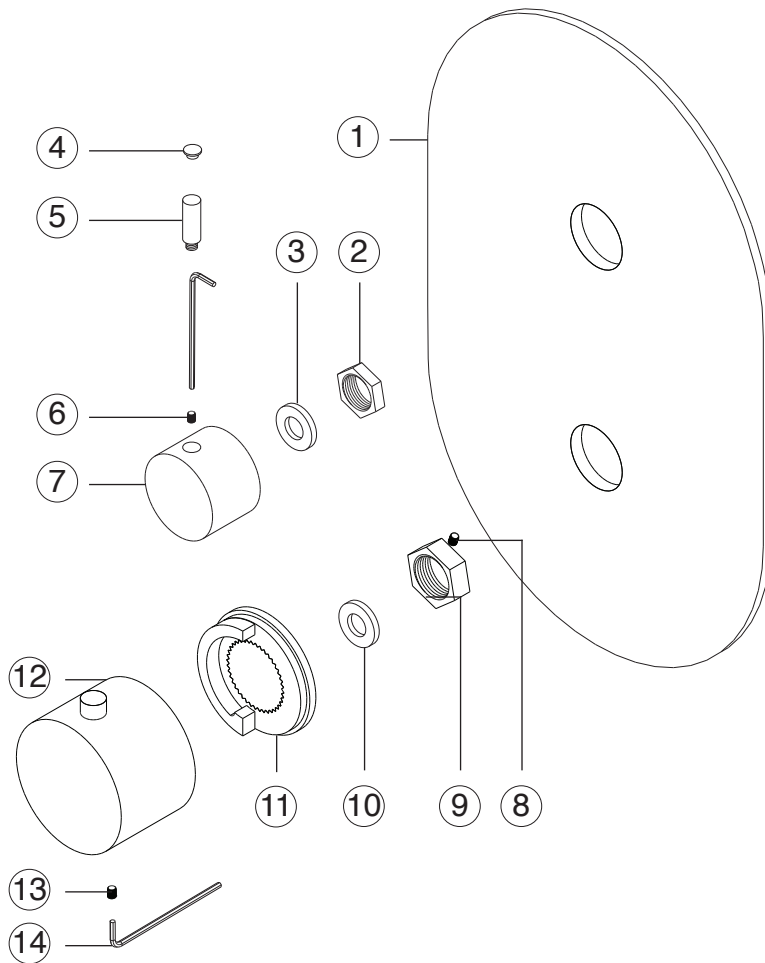
for F907-5

STEP 5

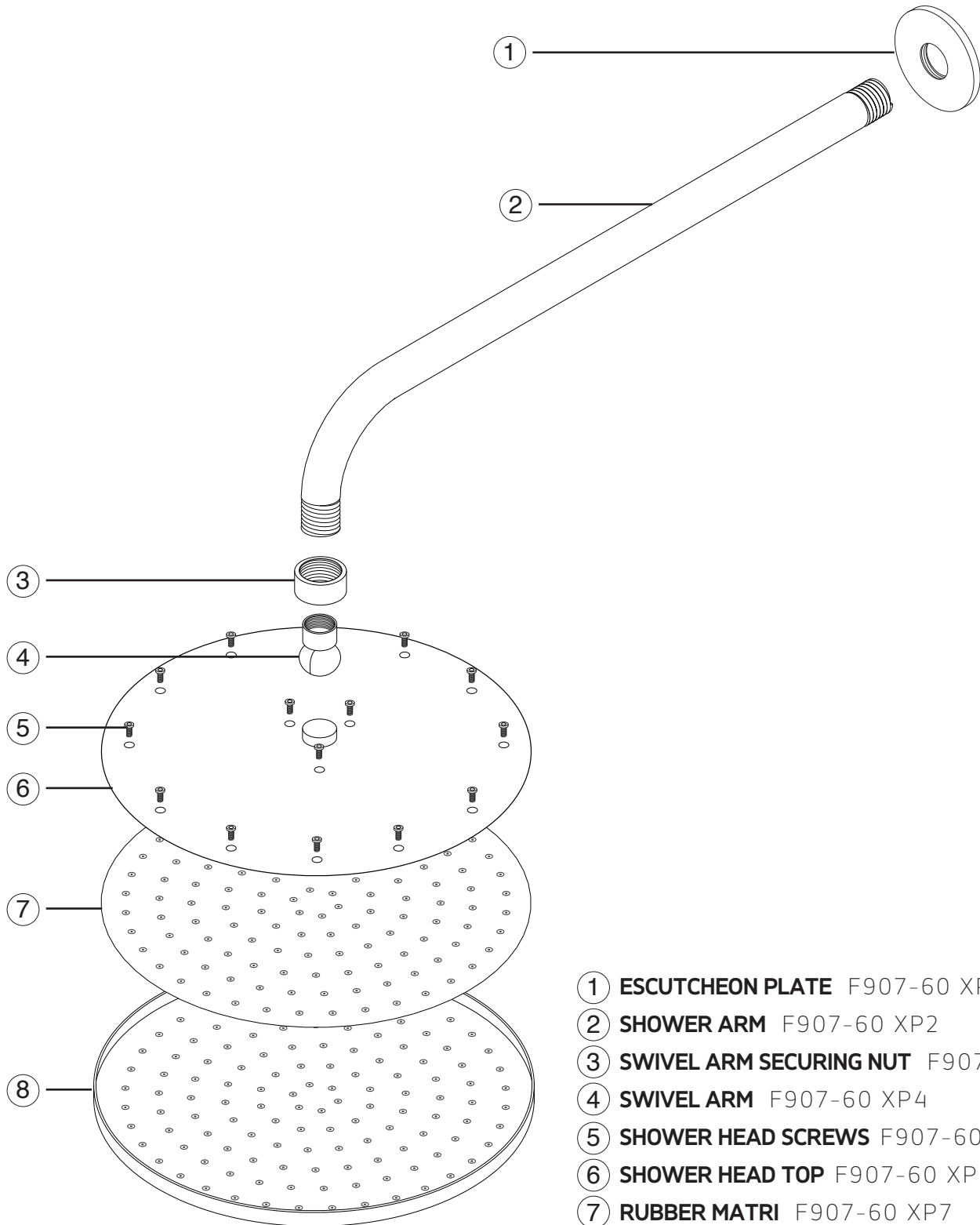


STEP 6

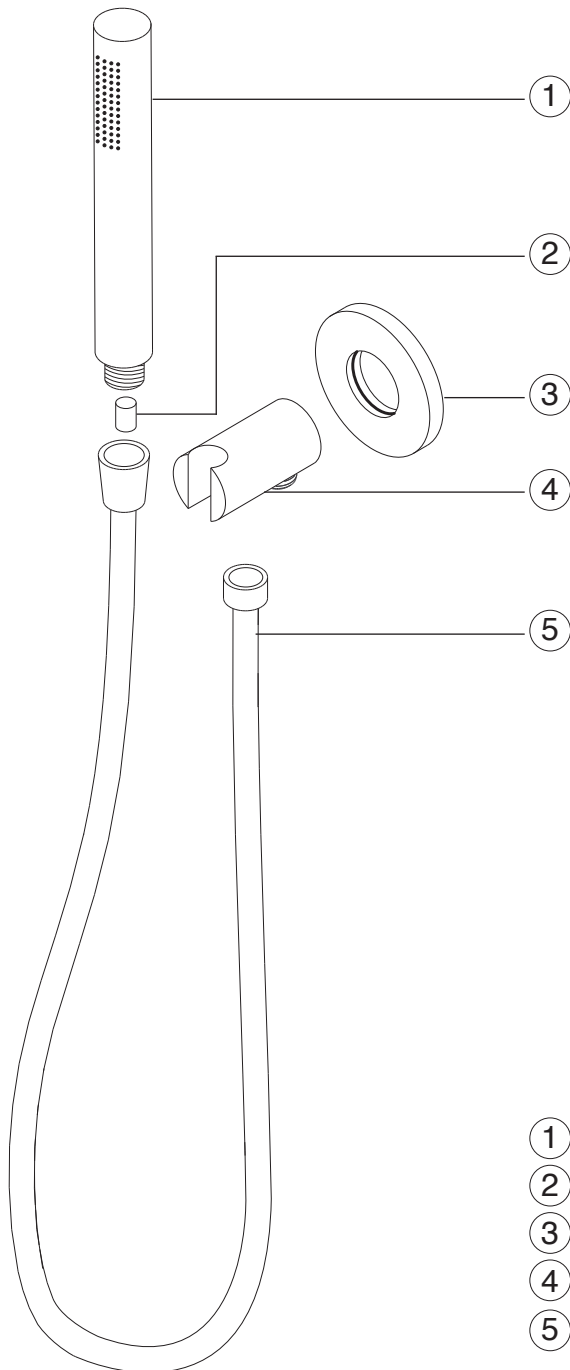




- | | |
|---|--|
| ① ESCUTCHEON F903B-58TK XP1 | ⑧ LOCKING NUT SET SCREW F903B-58TK XP8 |
| ② DIVERTER LOCKING NUT F903B-58TK XP2 | ⑨ THERMOSTAT LOCKING NUT F903B-58TK XP9 |
| ③ NYLON WASHER F903B-58TK XP3 | ⑩ NYLON WASHER F903B-58TK XP10 |
| ④ HANDLE HOLE CAP F903B-58TK XP4 | ⑪ TEMPERATURE LIMITING RING F903B-58TK XP11 |
| ⑤ DIVERTER HANDLE LEVER F903B-58TK XP5 | ⑫ THERMOSTAT HANDLE F903B-58TK XP12 |
| ⑥ DIVERTER SET SCREW F903B-58TK XP6 | ⑬ THERMOSTAT SET SCREW F903B-58TK XP13 |
| ⑦ DIVERTER HANDLE F903B-58TK XP7 | ⑭ ALLEN WRENCH F903B-58TK XP14 |



- ① **ESCUTCHEON PLATE** F907-60 XP1
- ② **SHOWER ARM** F907-60 XP2
- ③ **SWIVEL ARM SECURING NUT** F907-60 XP3
- ④ **SWIVEL ARM** F907-60 XP4
- ⑤ **SHOWER HEAD SCREWS** F907-60 XP5
- ⑥ **SHOWER HEAD TOP** F907-60 XP6
- ⑦ **RUBBER MATRI** F907-60 XP7
- ⑧ **SHOWER HEAD BOTTOM** F907-60 XP8



- ① **HAND SHOWER** F907-5 XP1
- ② **HAND SHOWER CHECK VALVE** F907-5 XP2
- ③ **ESCUTCHEON PLATE** F907-5 XP3
- ④ **SHOWER OUTLET ELBOW AND HOLDER** F907-5 XP4
- ⑤ **SHOWER HOSE** F907-5 XP5

artos[®]

PS140

CARE & MAINTENANCE

premier series shower set

For best results, keep the following in mind to retain the high quality finish of your artos[®] shower kit:

- Use a soft, dampened sponge or cloth. On no account should you use an abrasive material such as a brush, scouring pad or steel wool to clean surfaces.
- Test your cleaning agent solution on an inconspicuous area before applying to the entire product.
- Wipe surfaces clean and rinse completely with water immediately after applying cleaning agent.
- An ideal cleaning technique is to rinse faucet thoroughly and blot dry any water from the surface after each use.

LIMITED LIFETIME WARRANTY

artos[®] shower kits are guaranteed for life against leaks and finishing defects for as long as the original purchaser owns it.

Damage caused by accident, misuse, abuse, improper installation, improper cleaning or alteration will void the warranty. This warranty does not cover replacement parts where damage is caused by normal wear and tear. Westover, Inc is not responsible for labor charges, installation or other incidental or consequential costs. Proof of purchase must be provided with all claims.

Please register this product online at WWW.ARTOS.US.COM

ITEM NO. **PS140**
SERIAL NO.