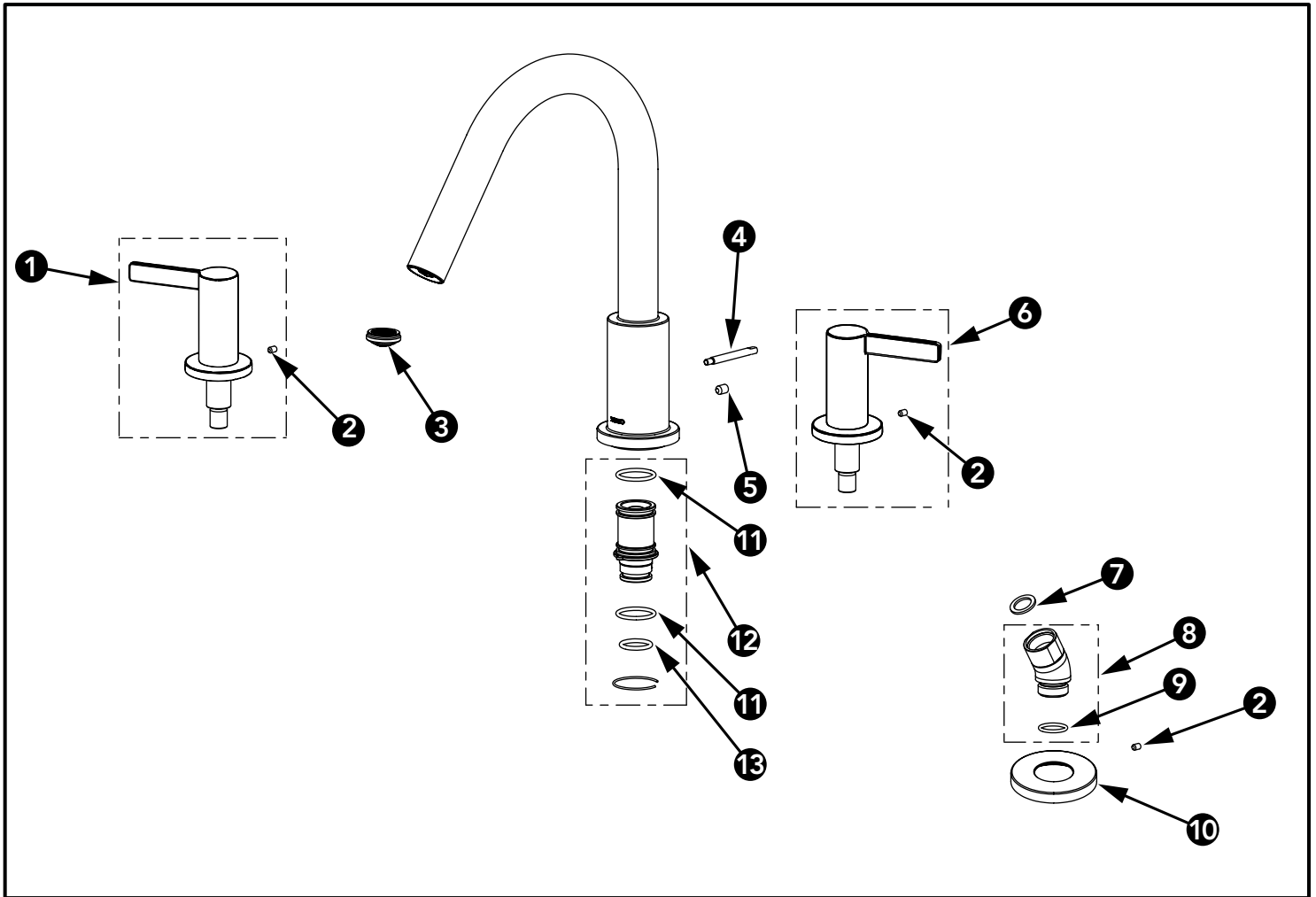


GF Roman Tub Filler Trim (4-Hole)



Item	Part	Description
1	THP5608#\$\$	ADA Handle (HOT)
2	THP4365	Set Screw
3	THP5214	Aerator
4	THP5185#\$\$	Diverter Bar
5	THP5429	Set Screw
6	THP5607#\$\$	ADA Handle (COLD)
7	THP4229	Gasket
8	THP5187#\$\$	Elbow
9	THP4070	O-Ring
10	THP5191#\$\$	Escutcheon
11	THP5180	O-Ring
12	THP5190	Valve Connector Set
13	THP5181	O-Ring

* Please specify finish when ordering

LEGEND
\$\$ = Denotes Finish
#CP = Polished Chrome
#BN = Brushed Nickel
#PN = Polished Nickel
#PBR = Polished Bronze
#PFG = Polished French Gold