

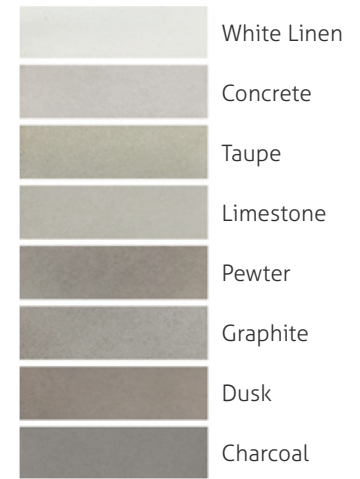
FLOATING CONCRETE SINKS

KURVE 30" CONCRETE SINK

SKU: FLO-30K-ADA

- Size: 30" x 17" x 5" / HR-2811 Sink ID: 27 1/4" x 11" x 4"
- This sink meets ADA Accessibility Guidelines
- 8 concrete color options
- Grid drain and 6" drain tailpiece included in Polished Chrome - available in 3 other finishes
- Standard Faucet & Soap Hole Configurations (customizable):
 - 0 Holes: wall-mount faucet
 - 1 single faucet hole or triple-hole set: centered on sink basin
 - Soap hole (optional): 5" minimum to left or right of faucet hole
 - Triple-hole set = 8" spread
 - Hole diameter = 1 3/8"
 - Hole(s) centered 2 1/4" off back of sink basin
- Sink does not have overflow hole
- Mounts to wood-blocked wall, masonry, tile using unique carrier (SKU: FSB-KURVE-30, included).
Refer to Carrier Mounting Instructions sheet for more details.
- Handmade in the USA

CONCRETE COLORS



Compliances & Certifications

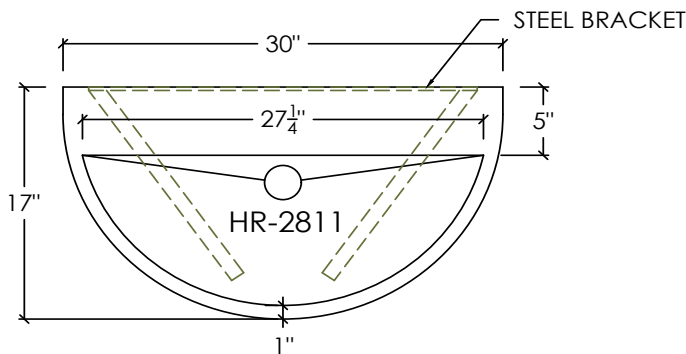


ICC A117.1

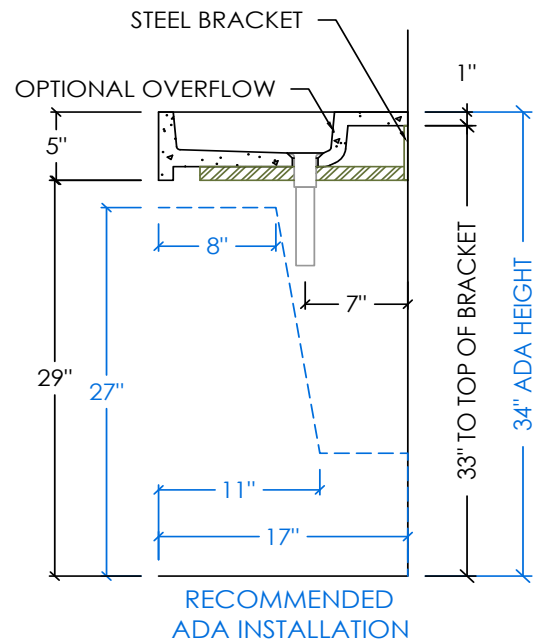


CSA B45/IAPMO Z403
ASME A112.18.2/CSA B125.2

PLAN VIEW



RIGHT SECTION



FRONT ELEVATION

