

# 55" ANTONIO CAST IRON ROLL TOP TUB

Cat. No.  
CTRN54



L: 54"  
W: 30-1/8"  
H: 24" (from floor to top of tub)  
19-1/4" (from bottom of tub to top of tub)

**The following is recommended for CTRN54 tubs without faucet holes:**

- Faucet: part #4602, 4604 or 7082
- Rigid, freestanding supplies: Part #4502
- Leg tub drain: part #5599

Gallon Capacity: 36  
Shipping Weight: 475 lbs.  
Empty Weight: 247 lbs.  
Filled Weight: 547 lbs.

## Features:

- ▶ Inside finish is white enamel
- ▶ Cast Iron ball and claw feet
- ▶ Tub exterior is white (epoxy)
- ▶ No faucet holes
- ▶ Non-skid strips
- ▶ Continuous rolled rim
- ▶ Feet are attached and leveled before shipment
- ▶ Tub is thoroughly inspected before shipment

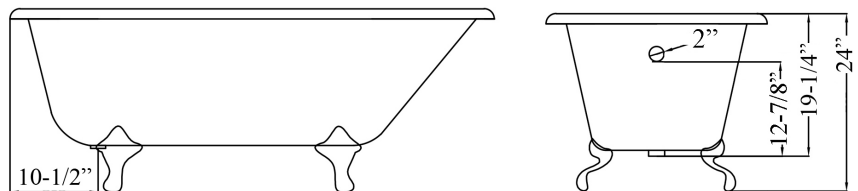
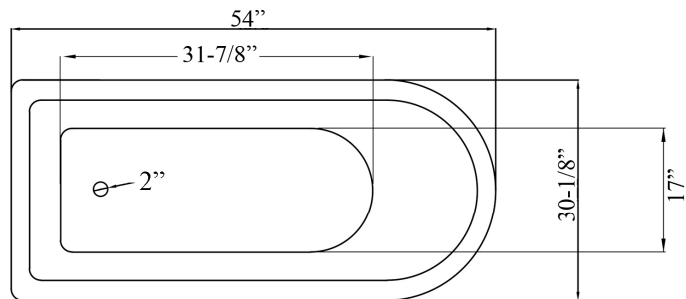
### Foot Finishes:

UF Unfinished  
BL Painted Black  
BQ Painted Bisque  
PB Polished Brass



CP Polished Chrome  
WH Painted White  
PN Polished Nickel  
SN Brushed Nickel  
ORB Oil Rubbed Bronze

**Custom Colors Available** (inside of tub is always white enamel):  
Painted bathtubs are considered "special order" and are not returnable  
\$160 Bisque or Black \$250 Designer Color



# TUB WALL MOUNT FILLER WITH HANDSHOWER

Cat. No.  
4602



Adjustable Swivel Mounts

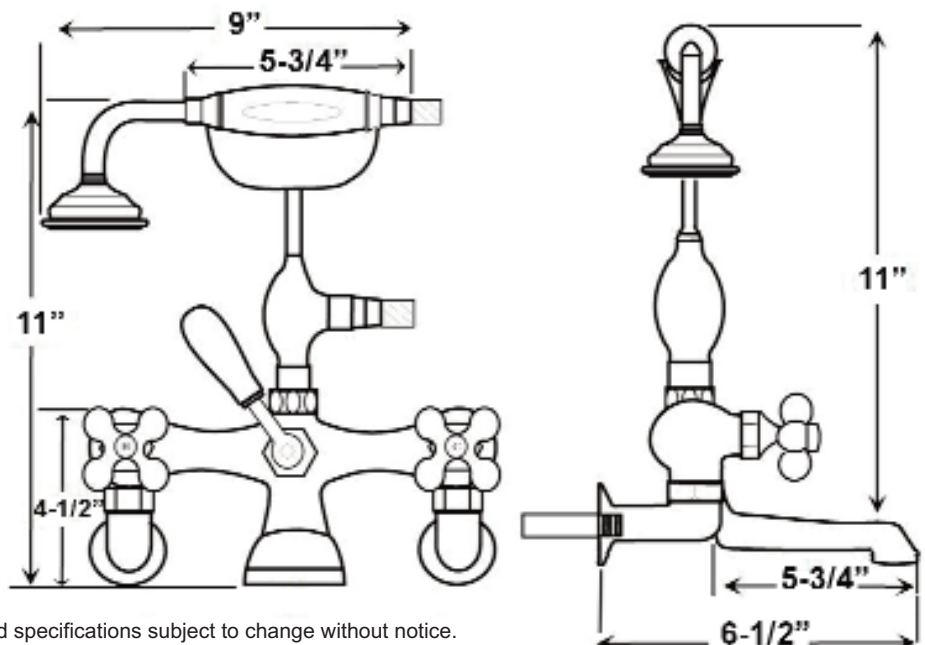
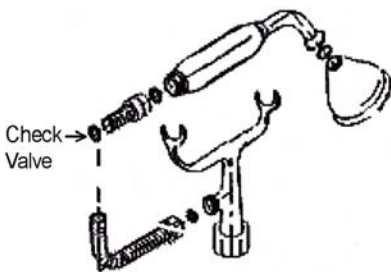
## Features:

- ▶ Brass construction
- ▶ Elephant spout length is 5-<sup>3</sup>/<sub>4</sub>"
- ▶ Flow rate is 3.7 GPM
- ▶ Available with porcelain lever (**4602-PL**) or metal cross handles (**4602-MC**)
- ▶ Telephone handshower with cradle and hose
- ▶ Handshower flow rate 2.5 GPM
- ▶ Handshower includes backflow preventer
- ▶ Swivel mounts adjust centers from 3" to 12"
- ▶ Faucet centers are 7" without swivel mounts
- ▶ For tub wall mount installation
- ▶ ¼ turn ceramic disc cartridges
- ▶ To be used with double offset bath supplies, **Part #5576**
- ▶ This faucet can also be used with rigid freestanding supplies, **Part #4502** with adjustable swivel mounts removed

## Finishes:

**BP** Polished Brass  
**CP** Polished Chrome  
**ORB** Oil Rubbed Bronze

**SN** Brushed Nickel  
**PN** Polished Nickel



Dimensions are nominal and may vary. Dimensions and specifications subject to change without notice.

# FREESTANDING BATH SUPPLIES

Cat. No.  
4502-PL



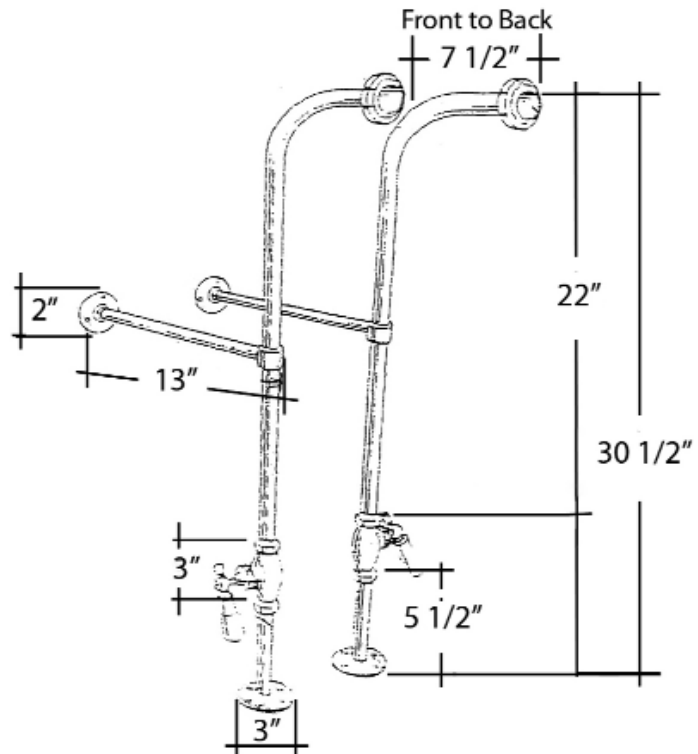
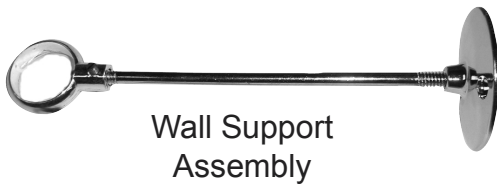
## Features:

- ▶ 5" Shaft included
  - ▶ Stops included
  - ▶ 1/2" Pipe thread inlet
  - ▶ 3/4" Flare outlet
  - ▶ Wall support assemblies included
  - ▶ Porcelain lever handles
  - ▶ Available in 5 finishes
  - ▶ Should not be used with leg tubs that have factory drilled holes.
- ▶ 0.800" Outer diameter
  - ▶ 0.595" Inner diameter
  - ▶ 0.090" Thickness of wall

## Finishes:

- CP Polished Chrome
- PN Polished Nickel
- BP Polished Brass
- ORB Oil Rubbed Bronze
- SN Brushed Nickel

H: 30" (30-1/2" with nut)



**Use on concrete floors requires special installation. We recommend using a plumbing professional.**

Dimensions are nominal and may vary. Dimensions and specifications subject to change without notice.

# LEG TUB DRAIN

Cat. No.  
5599



Escutcheon Height: 1-1/4"

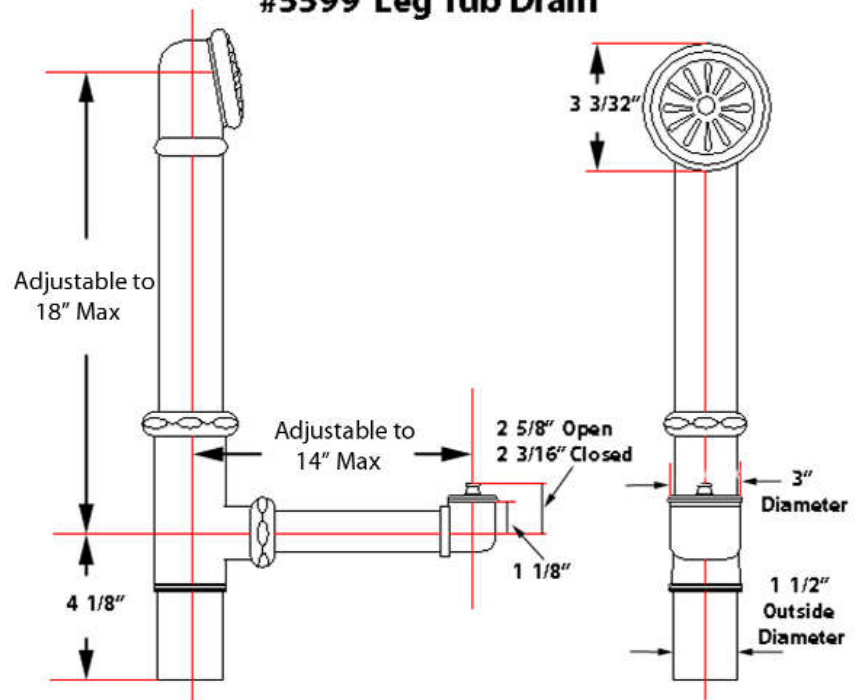
## Features:

- ▶ Brass Construction
- ▶ Twist-and-lift stopper
- ▶ Includes deep escutcheon
- ▶ Height adjustable 15"-18"
- ▶ Depth adjustable 12"-14"
- ▶ Includes deep escutcheon
- ▶ Available in 5 Finishes

## Finishes:

- CP Polished Chrome
- BP Polished Brass
- SN Brushed Nickel
- PN Polished Nickel
- ORB Oil Rubbed Bronze

## #5599 Leg Tub Drain



Dimensions and specifications subject to change without notice.

# “D” SHAPED SHOWER ROD

Cat. No.  
4145



“D” Rod Loop Connector



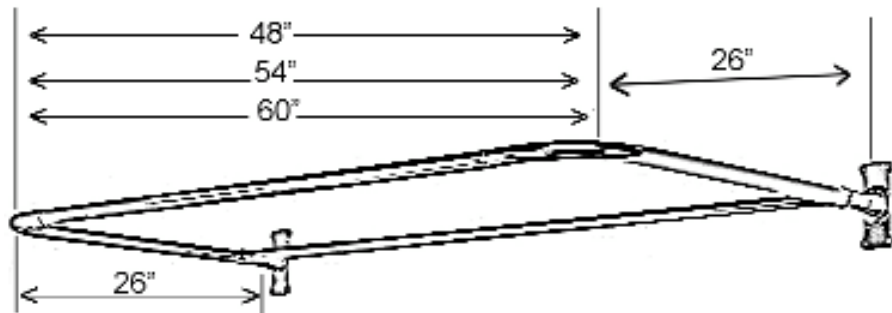
Rectangular Flange

## Features:

- ▶ 1” Solid brass tubing
- ▶ Includes rectangular flanges( #300)
- ▶ Includes two “D” rod loop connectors (#331)
- ▶ Available In 3 Sizes: 48”, 54”, and 60”  
(#4145-48, #4145-54, and #4145-60)
- ▶ All rods come as four pieces
- ▶ Ceiling Supports Available ( #340)
- ▶ Available in 5 finishes

## Finishes:

**CP** Polished Chrome  
**SN** Brushed Nickel  
**BP** Polished Brass  
**ORB** Oil Rubbed Bronze  
**PN** Polished Nickel



**Measurements Show Different  
Lengths For Each Size Rod.**

Dimensions are nominal and may vary. Dimensions and specifications are subject to change without notice.