

## TUB FEET INSTALLATION WITH BAR

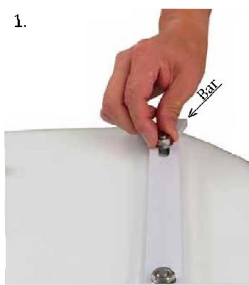
### Tools Needed

- 11/16 Wrench • 3/4" Wrench •

### Parts Included

- 2 Bars • 4 Mounting Bolts • 4 Flat Washers • 6 Locking Washers • 6 Nuts •

- A. Roll top tubs have the drain located at the end of the tub and tilt toward the drain so the two tallest feet must be attached on the end without the drain. The two shortest feet must be attached on the drain end.
- B. Double roll top and double slipper tubs have the drain located in the center of the tub so no tilt is necessary as the bottom is slanted toward the drain. All four feet should be the same.



1. Place tub upside down onto a soft cloth/blanket to prevent from damage.  
(Note: For roll top tub slide under rim 2X4 wooden block to elevate the tub from one side. This will help turn the tub over when finished)
2. Once the tub is turned upside down remove washers and nuts from the threaded studs.
3. Position mounting bars over the threaded studs on both ends.
4. After bars are in place thread a washer and nut onto each stud by hand. Do not tighten until foot is attached. **(Shown in image 1)**
5. Attach feet onto the bars using flat washer, locking washer and bolt. **(Shown in Image 2)**
6. Finish tightening the bars once the feet are attached securely  
(DO NOT OVER TIGHTEN MAY CRACK THE TUB)
7. Lift tub by the rim and turn onto its feet. If tub is not level use built-in adjuster under the foot. DO NOT LIFT TUB BY FEET

## TUB FEET INSTALLATION WITHOUT BAR

### Tools Needed

- 11/16 Wrench •

### Parts Included

- Rubber Shims(If Included) • 4 Dovetail Bolts • 4 Flat Washers • 4 Locking Washers • 4 Nuts •

For some tubs you will find letters inside your tub foot to correspond with letters on the bottom of your tub as a guide to foot placement. If these are not present on your tub use following as a general guide.

- A. Roll top tubs have the drain located at the end of the tub and tilt toward the drain so the two tallest feet must be attached on the end without the drain. The two shortest feet must be attached on the drain end.
- B. Double roll top and double slipper tubs have the drain located in the center of the tub so no tilt is necessary as the bottom is slanted toward the drain. All four feet should be the same.

1.



1. Place tub upside down onto a soft cloth/blanket to prevent damage. (Note: For roll top tub slide under rim 2X4 wooden block to elevate the tub from one side. This will help turn the tub over when finished)
2. Once the tub is turned upside down slide a dovetail bolt into each mounting pod. **(Shown in image 1)**
3. Put foot onto the dovetail bolt. Secure foot by using locking washer and nut. (It is normal to have small gaps between foot and tub wall).
- 4 . Lift tub by the rim and turn onto its feet.
5. Loosen the bolts and let the tub settle into place on the feet. Tighten the bolts.
6. If tub is not level use built-in adjuster under each foot.  
**DO NOT LIFT TUB BY FEET**

## FREESTANDING ACRYLIC TUB INSTALLATION INSTRUCTIONS

### Tools Needed

- Screws or Liquid Nails • Wooden Blocks • Pencil •

**Be sure to re-inforce the floor before securing tub. We recommend 2- 2"x12"s securely fastened to floor beams where you plan to secure your tub.**

### Stabilize Tub to Prevent Sliding



1. Place tub in intended position on floor.
2. Use pencil to trace around tub on floor.
3. Move tub to the side to allow work space.
4. Place wooden blocks on floor **inside** traced pattern of tub. Blocks can be secured to floor using screws or liquid nails.
5. Put tub back into position over wooden blocks. Wooden blocks will not be visible and will prevent tub from sliding across floor.
6. Once the tub is position and secure, apply small bead of sealant around the base.

## CLAW FOOT ACRYLIC TUB INSTALLATION INSTRUCTIONS

### Tools Needed

- Wrench or socket • Drill & Bits •

### Parts Recommended

- 2-2"x12" boards • 4 Lag Bolts • 4 Flat Washers

**Be sure to re-inforce the floor before securing tub. We recommend 2- 2"x12" securely fastened to floor beams where you plan to secure your tub.**

### Anchor Tub to Floor

1. Place tub in intended position on floor.
2. Mark foot anchoring locations on floor with pencil.
3. Move tub to the side to allow work space.
4. Drill starter holes in floor.
5. Put tub back into position.
6. Place flat washers on lag bolts.
7. Put lag bolts through slot in bottom of foot and screw into floor using wrench or socket.



---

## **INSTALLATION INSTRUCTIONS**

### **Parts Included**

- 1 Valve Body • 1 Gooseneck Spout • 2 Large Locknuts • 2 Screws (for handles) • 2 Handles •

### **Tools Needed**

- Adjustable Wrench • Slip Joint Pliers • Pipe Putty or Teflon Pipe Tape •

**NOTE: Handles are identified HOT and COLD.  
The hot handle must be to the left and cold to the right.**



1. Align the valve assembly with the holes in the tub.
2. Apply teflon tape to both ends of the hot and cold supply nipples. On the outside of the tub, thread the large locknuts onto the other ends of the nipples and secure the unit to the tub. Tighten with a wrench or pliers.
3. Remove screws from valve stems. Place hot and cold handles onto stems. Then replace screws and secure.
4. Screw gooseneck into place on top of valve body.
5. Connect the water supply nipples to the water supply tubes. For wall mounting of the diverter to a house water supply line, see your local plumber.

**NOTE: Please seek professional help if you have copper plumbing in your home.**

### **Cleaning Instructions**

Wipe this whole set off with warm water and a soft cloth. DO NOT use soaps, cleansers, or brass cleaners as they will disintegrate the protective lacquer coating and leave the brass exposed causing it to tarnish.

## **INSTALLATION INSTRUCTIONS**

### **Parts Included**

- 4 Cone Washers (A) • 2 Decorative Locknuts (B) • Left Supply Tube (C) •
- Right Supply Tube (D) • 2 Escutcheons (E) • 2 Locknuts (F) •

### **Tools Needed**

- Adjustable Wrench • Set of Crescent Wrenches • Pliers • Teflon Tape (use as a sealant on all male threaded tubing) •

**This water supply tube kit includes the parts listed above ONLY. The faucet in your bathtub should be purchased previously and separate from this kit.**



### **To Assemble Tubes**

1. First be sure to shut off the the water supply. Remove old water supply tubing. Put a cone washer (A ), with the wide end of the washer inward, onto the upper end of the left supply tube (C).
2. Slide a decorative locknut (B) up to the top of the left supply tube (C) and put on a cone washer (A).
3. On the bottom of the left supply tube (C), slide one of the escutcheons (E) up the tube partway, then slide the locknut (F) up the end of the tube (C) directly under the escutcheon.
4. Put another cone washer (A) with the wide end of the washer upward onto the bottom end of the tube (C).
5. Repeat steps 1-4 using the right supply tube (D).

### **To Install Tubes**

1. Attach the bottom end of the left supply tube (C) to the water supply tubing in your floor by screwing the locknut (F) down tightly. Let the escutcheon (E) slide down to the floor.
2. Attach the upper end of the left supply tube (C) to the “cold side” faucet supply tube located on the rear of your tub by inserting the supply tube (C) into the faucet supply tube and tightly screw the decorative locknut (B) over the two for a tight fit.
3. Repeat steps 1-2 using the right supply tube (D) and connecting it to the “hot side” faucet supply tube.

**NOTE: Please seek professional help if you have copper plumbing in your home.**

### **Cleaning Instructions**

Wipe this whole set off with warm water and a soft cloth. DO NOT use soaps, cleansers, or brass cleaners as they will disintegrate the protective lacquer coating and leave the brass exposed causing it to tarnish.

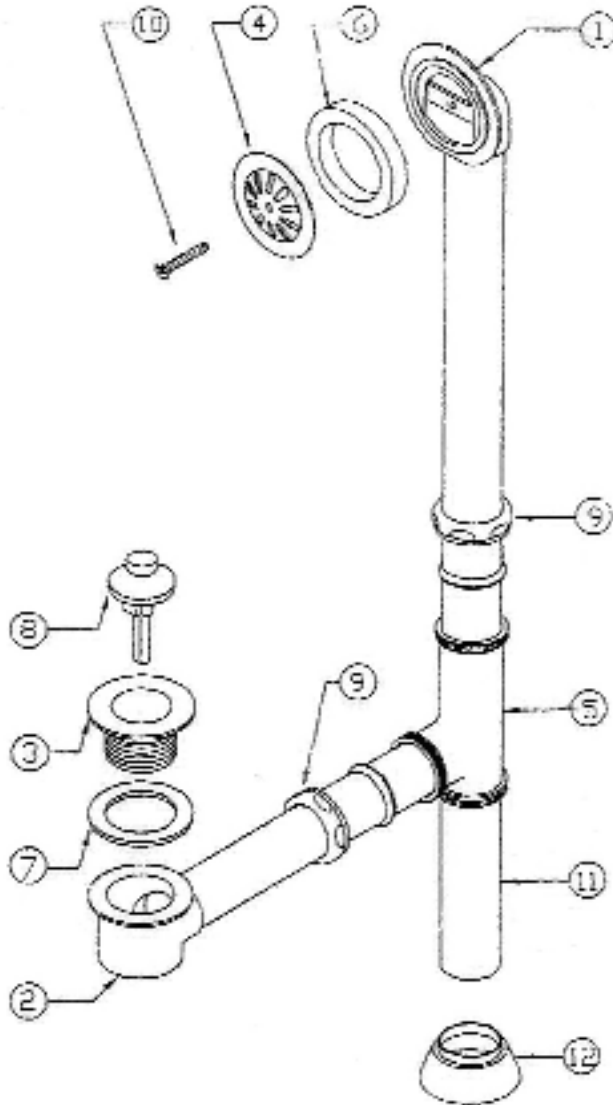
## INSTALLATION INSTRUCTIONS

### Parts Included

- Top Overflow Tube (1) • Bottom Shoe (2) • Top Waste Flange (3) • Face Plate (4) • Exposed Tee (5) •
- Face Sponge Gasket (6) • Waste Gasket (7) • Lift Stop (8) • 2- 1 1/2" Nut and Washers (9) • Face Plate Screw (10) •
- 1 1/2" x 6" Tube (11) • 1 1/2" O.D. Escutcheon (12) •

### Tools Needed

- Wrench • Pliers • Teflon Tape (use as a sealant on all male threaded tubing) • Tube Cutter • Plumbers Putty •



### To Assemble Tubes

1. Assembled #3 and #8 screw into #2. #7 is on top of #2 beneath the tub. Place a bead of plumbers putty around bottom of #3, to seal to tub and protect from leaks. Then tighten #3 into #2.
2. Assemble overflow. (Follow diagram)
3. Set #1 in place.
4. Place Tee (#5) on shoe.
5. Trim bottom of tube #1 to fit into Tee (#5).
6. Trim tube #11 to fit.
7. Tighten the nuts.

### Cleaning Instructions

Wipe this whole set off with warm water and a soft cloth. DO NOT use soaps, cleansers, or brass cleaners as they will disintegrate the protective lacquer coating and leave the brass exposed causing it to tarnish.

**NOTE: Please seek professional help if you have copper plumbing in your home.**