

# MARSHALL 72" CAST IRON DOUBLE SLIPPER TUB WITH BASE

Cat. No.  
CTDSNB



L: 72"  
L (Base): 48"  
W: 30 1/2"  
W (Base): 26"  
H: 29 1/2" (from floor to top of tub)  
H(Base): 8 1/2"

Meets or exceeds the following specifications: A112-19-1M 1994.

**The following is recommended for CTDSNB tubs without faucet holes:**

- Faucet: Part# 4602
- Rigid, freestanding supplies: Part# 4502
- Leg tub drain: Part# 5599

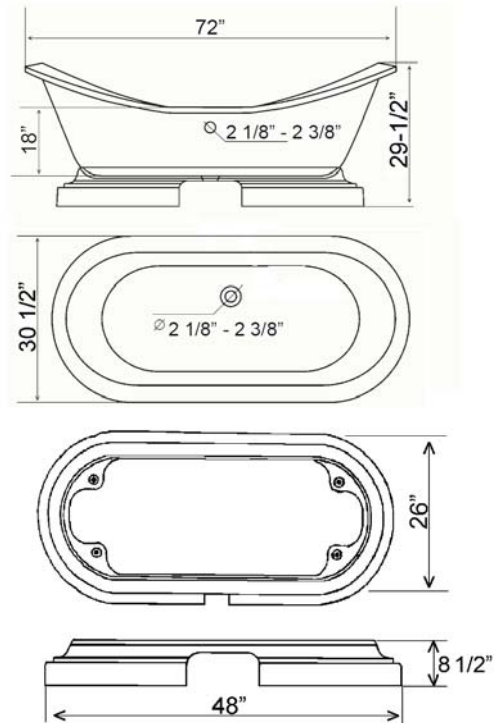
Gallon Capacity: 43 1/2  
Shipping Weight: 740 lbs.  
Empty Weight: 490 lbs.  
Filled Weight: 854 lbs.

## Features:

- ▶ Inside finish is white enamel
- ▶ No faucet holes
- ▶ Tub exterior is white
- ▶ Non-skid strips
- ▶ Cutout in base for waste and overflow
- ▶ Tub and base combinations ship on 1 pallet



**Custom Colors Available** (inside of tub is always white enamel):  
Painted bathtubs are considered "special order" and are not returnable  
\$160 Bisque or Black \$250 Designer Color



Dimensions of fixture are nominal and may vary within the range of tolerances established by ANSI Standard A112.19.2. Dimensions and specifications subject to change without notice.

# TUB WALL MOUNT FILLER WITH HANDSHOWER

Cat. No.  
4602



## Features:

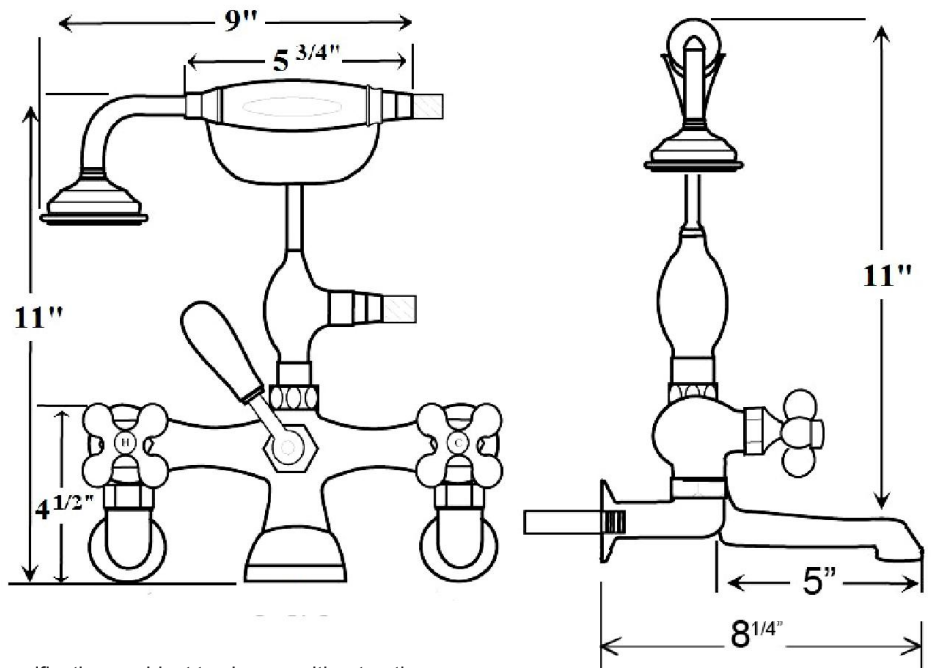
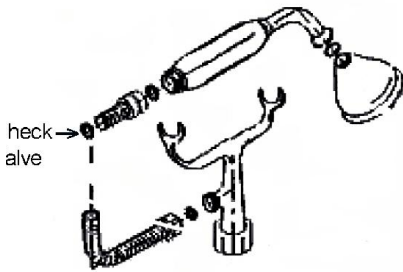
- ▶ Brass construction
- ▶ Elephant spout length is 5"
- ▶ Spout flow rate is 3.70 GPM
- ▶ Available with porcelain lever (4602-PL) or metal cross handles (4602-MC)
- ▶ Telephone handshower with cradle and hose
- ▶ Handshower flow rate 2.5 GPM
- ▶ Handshower includes backflow preventer
- ▶ Swivel mounts adjust centers from 3" to 12"
- ▶ Faucet centers are 7" without swivel mounts
- ▶ For tub wall mount installation
- ▶ ¼ turn ceramic disc cartridges
- ▶ To be used with double offset bath supplies, **Part #5576**
- ▶ This faucet can also be used with rigid freestanding supplies, **Part #4502** with adjustable swivel mounts removed

## Finishes:

**BP** Polished Brass      **SN** Brushed Nickel  
**CP** Polished Chrome    **PN** Polished Nickel  
**ORB** Oil Rubbed Bronze



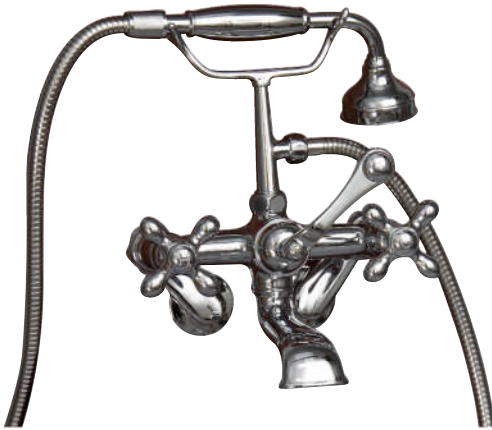
Adjustable Swivel Mounts



Dimensions are nominal and may vary. Dimensions and specifications subject to change without notice.

# TUB WALL MOUNT FILLER WITH HANDSHOWER

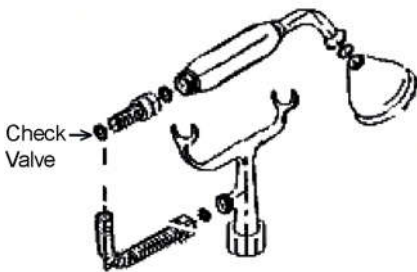
Cat. No.  
4604



(ML)



(ML2)



## Features:

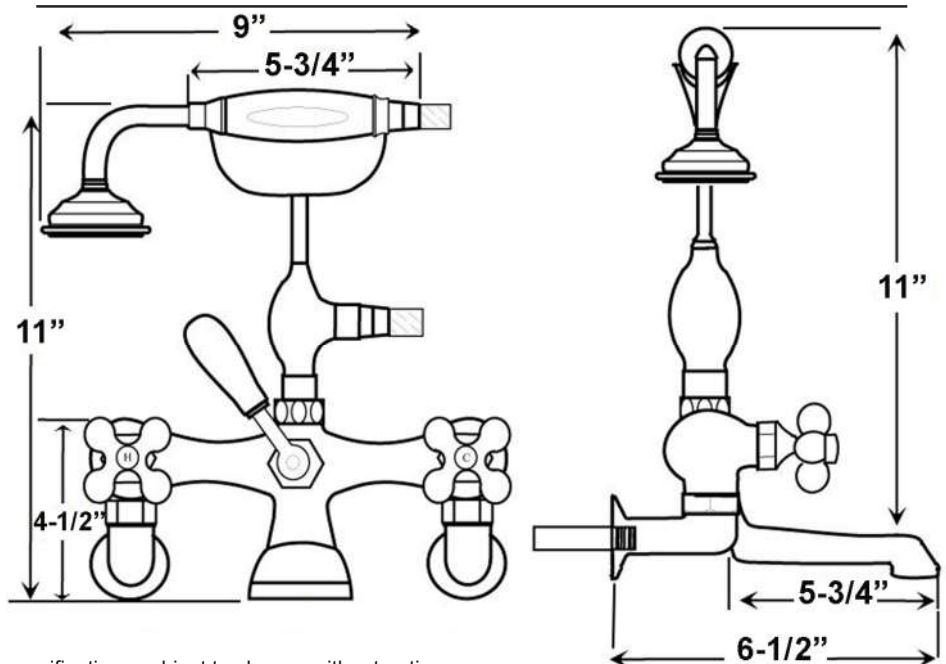
- ▶ Brass construction
- ▶ Elephant spout length is 5-3/4"
- ▶ Flow rate is 3.7 GPM
- ▶ Available with metal cross handles (**4604-MC**) or metal lever handles in 2 different styles (**4604-ML, 4604-ML2**)
- ▶ Metal cross handles feature "H" and "C" for hot and cold
- ▶ Metal telephone style hand shower with cradle and hose
- ▶ Handshower flow rate 2.5 GPM
- ▶ Handshower includes backflow preventer
- ▶ Swivel Mounts adjust centers from 3" to 12"
- ▶ Faucet centers are 7" without swivel mounts
- ▶ For tub wall installation
- ▶ 1/4 Turn ceramic disc cartridges
- ▶ To be used with double offset bath supplies, **Part #5576**
- ▶ This faucet can also be used with rigid freestanding supplies, **Part #4502** with adjustable swivel mounts removed

## Finishes:

- BP** Polished Brass
- SN** Brushed Nickel
- CP** Polished Chrome
- PN** Polished Nickel
- ORB** Oil Rubbed Bronze



Adjustable Swivel Mounts



Dimensions are nominal and may vary. Dimensions and specifications subject to change without notice.

# FREESTANDING BATH SUPPLIES

Cat. No.  
4502-PL



## Features:

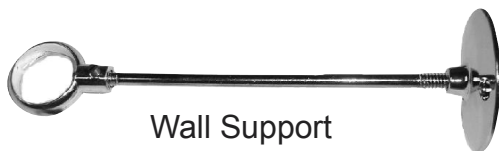
- ▶ 5" Shaft included
- ▶ Stops included
- ▶ 1/2" Pipe thread inlet
- ▶ 3/4" Flare outlet
- ▶ Wall support assemblies included
- ▶ Porcelain lever handles
- ▶ 0.800" Outer diameter
- ▶ 0.595" Inner diameter
- ▶ 0.090" Thickness of wall
- ▶ Available in 5 finishes

## Finishes:

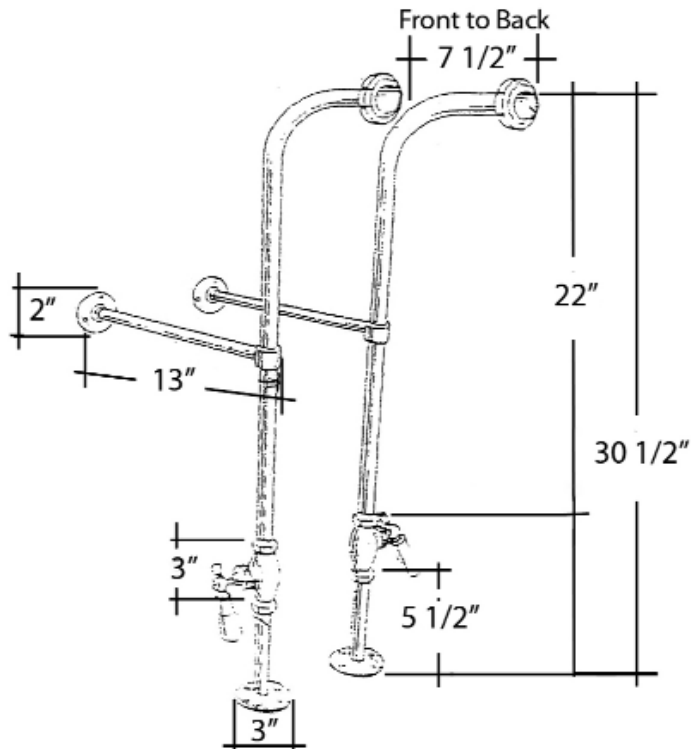
- |           |                 |            |                   |
|-----------|-----------------|------------|-------------------|
| <b>CP</b> | Polished Chrome | <b>PN</b>  | Polished Nickel   |
| <b>BP</b> | Polished Brass  | <b>ORB</b> | Oil Rubbed Bronze |
| <b>SN</b> | Brushed Nickel  |            |                   |

**H:** 30" (30 1/2" with nut)

**OD:** 1/2"



Wall Support  
Assembly



Dimensions are nominal and may vary. Dimensions and specifications subject to change without notice.

# LEG TUB DRAIN

Cat. No.  
5599



Escutcheon Height is 1 1/4"

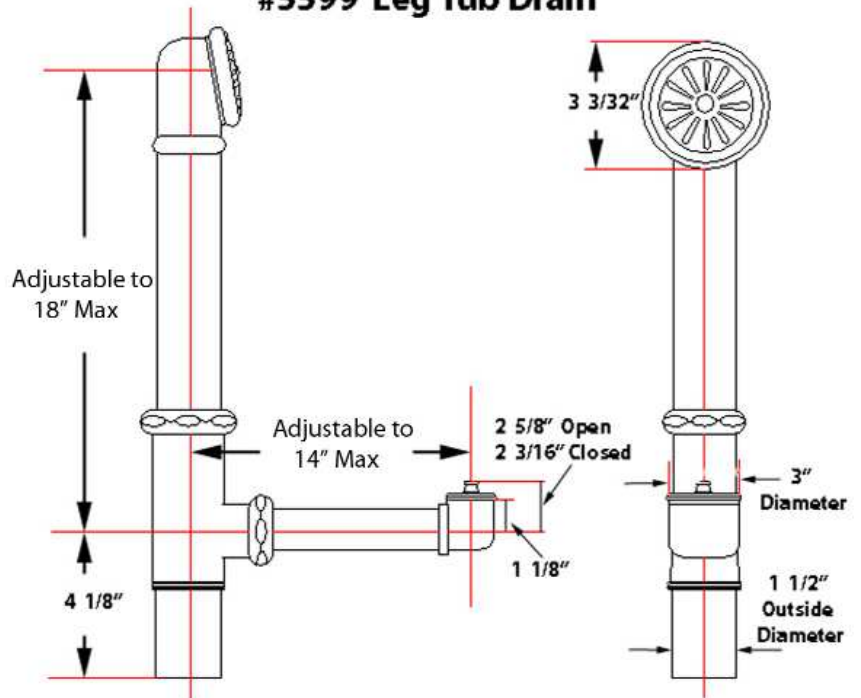
## Features:

- ▶ Twist-and-Lift Stopper
- ▶ Includes Deep Escutcheon
- ▶ Available in 5 Finishes

## Finishes:

- CP Polished Chrome
- BP Polished Brass
- SN Brushed Nickel
- PN Polished Nickel
- ORB Oil Rubbed Bronze

## #5599 Leg Tub Drain



Dimensions and specifications subject to change without notice.