

# artos<sup>®</sup>

TA415

TECHNICAL SPECIFICATIONS

trova toilet holder

BRUSHED NICKEL(BN)



CHROME(CH)



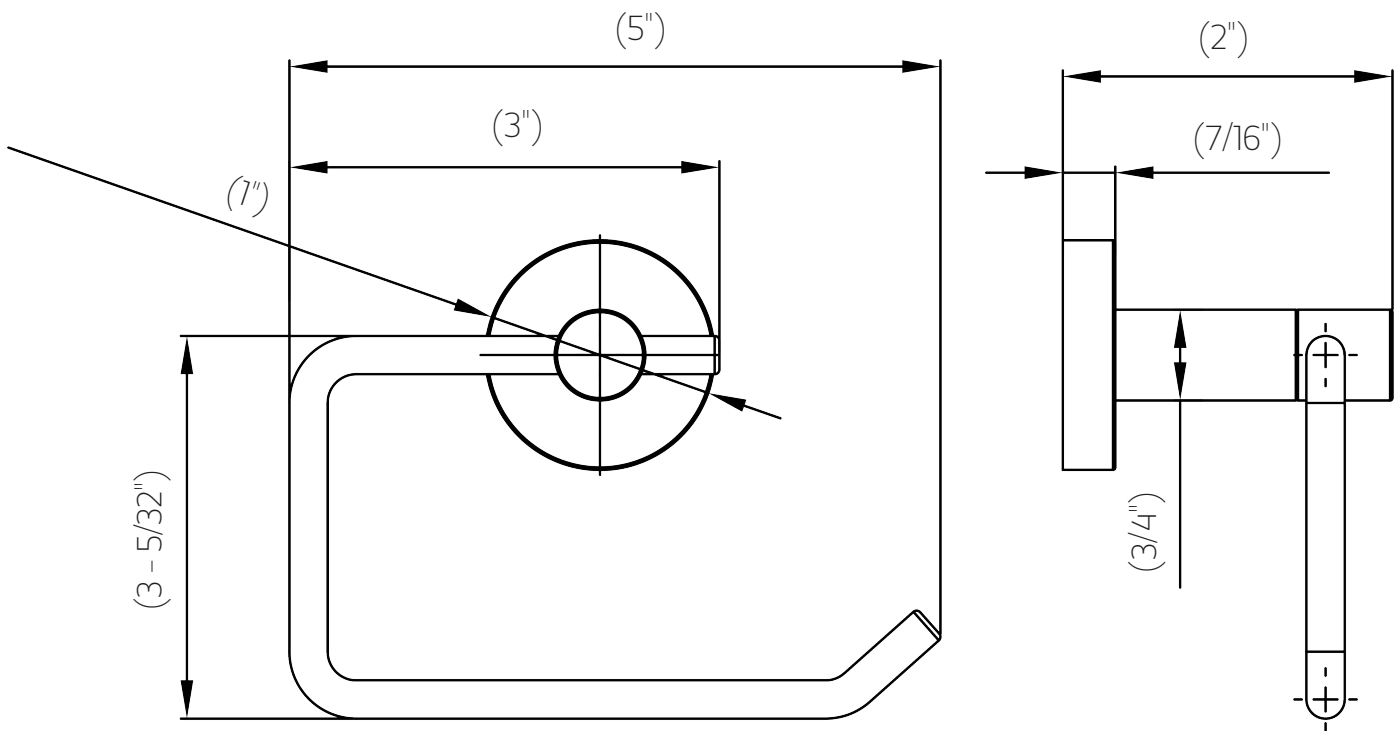
BLACK (BK)



SATIN BRASS (SB)



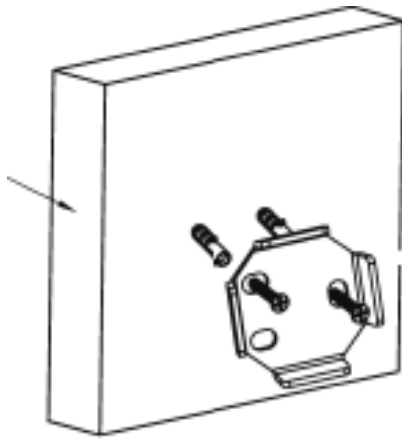
trova toilet holder



trova toilet holder

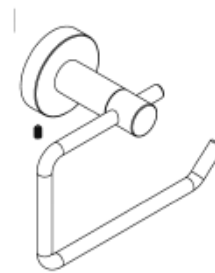
### STEP 1

Install mounting bracket to the wall with screws (supplied) and anchors (if applicable).



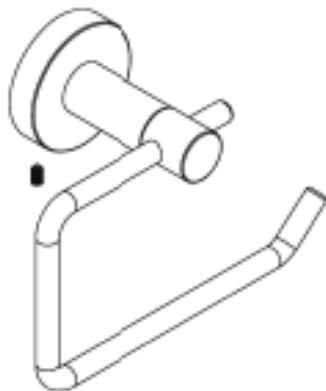
### STEP 2

Slide body assembly onto mounting bracket.



### STEP 3

Tighten set screw with allen key (supplied)



For best results, keep the following in mind to retain the high quality finish of your artos<sup>®</sup> faucets:

- Use a soft, dampened sponge or cloth. On no account should you use an abrasive material such as a brush, scouring pad or steel wool to clean surfaces.
- Test your cleaning agent solution on an inconspicuous area before applying to the entire faucet.
- Wipe surfaces clean and rinse completely with water immediately after applying cleaning agent.
- An ideal cleaning technique is to rinse faucet thoroughly and blot dry any water from the surface after each use.

### LIMITED LIFETIME WARRANTY

**artos<sup>®</sup> faucets are guaranteed for life against leaks and finishing defects for as long as the original purchaser owns it.**

Damage caused by accident, misuse, abuse, improper installation, improper cleaning or alteration will void the warranty. This warranty does not cover replacement parts where damage is caused by normal wear and tear. Westover, Inc is not responsible for labor charges, installation or other incidental or consequential costs. Proof of purchase must be provided with all claims.

ITEM NO. **TA415**