

# artos<sup>®</sup>



## CF521

Touch free  
sensor faucet

**TECHNICAL DATA SHEET**

BRUSHED NICKEL(BN)



CHROME(CH)



BLACK(BK)



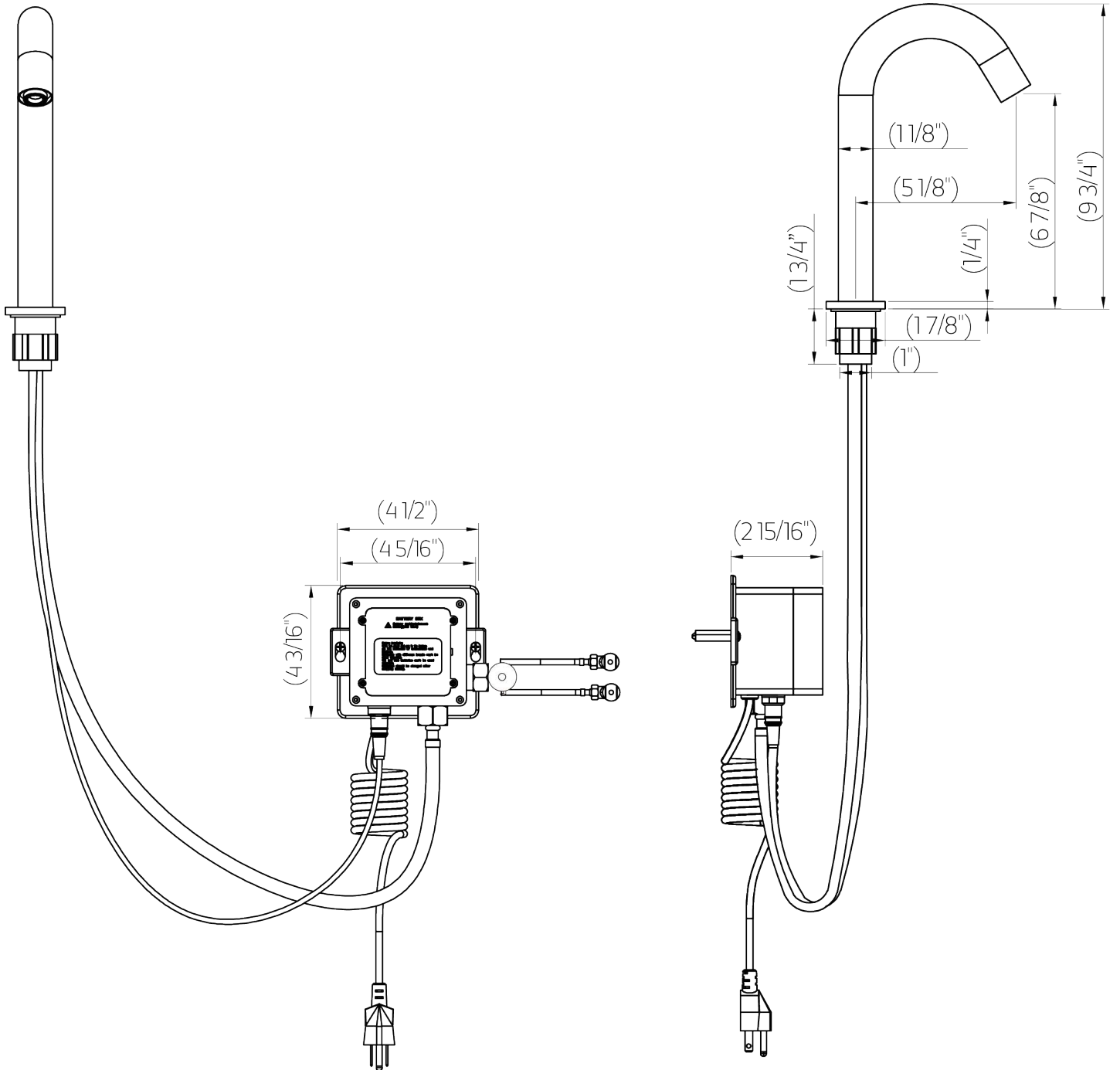
# artos<sup>®</sup>



## CF521

Touch free  
sensor faucet

## TECHNICAL DATA SHEET



# artos<sup>®</sup>

## CF521

Touch free  
sensor faucet

## OPERATING SPECIFICATIONS



### OPERATING FLOW RATE/PRESSURE

1.2GPM

### OPERATING TEMPERATURE

Maximum: 176°

### STANDARDS

Certified to CUPC

ADA compliant

0.5 GPM for Commercial Use

1.2 GPM Residential Use

### REQUIREMENTS

Max Surface Thickness: 1-5/8"

110V mains connection included option

for battery only operation

Use mixing valve CFMV01 for

temperature control at faucet



# artos<sup>®</sup>

## CF521

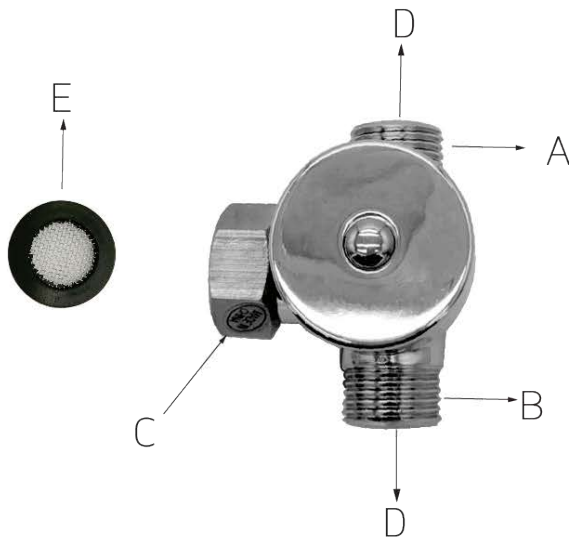
Touch free  
sensor faucet



### OPERATING SPECIFICATIONS

CFMV01 Mixing Valve -  
use with CF521 touch free sensor  
faucet

#### 1. PARTS NAME



- A** G1/2 hot water inlet
- B** G1/2 cold water inlet
- C** G1/2 water port
- D** Check valve
- E** Rubber gasket

#### 2. ILLUSTRATION INSTALLATION

