

# artos<sup>®</sup>



CF521

**TECHNICAL DATA SHEET**

Touch free  
sensor faucet

BRUSHED NICKEL(BN)



CHROME(CH)



BLACK(BK)



# artos<sup>®</sup>

## CF521

Touch free  
sensor faucet

### OPERATING SPECIFICATIONS



#### OPERATING FLOW RATE/PRESSURE

1.2gpm or 0.5 gpm on request

#### OPERATING TEMPERATURE

Maximum: 176°

#### OPERATING AMPS

Or 300mA

#### STANDARDS

Certified to CUPC

ADA compliant

#### REQUIREMENTS

Max Surface Thickness: 1-5/8"

110V mains connection included Option  
for battery only operation  
Use mixing valve CFMV01 for  
temperature control at faucet

#### APPROVALS



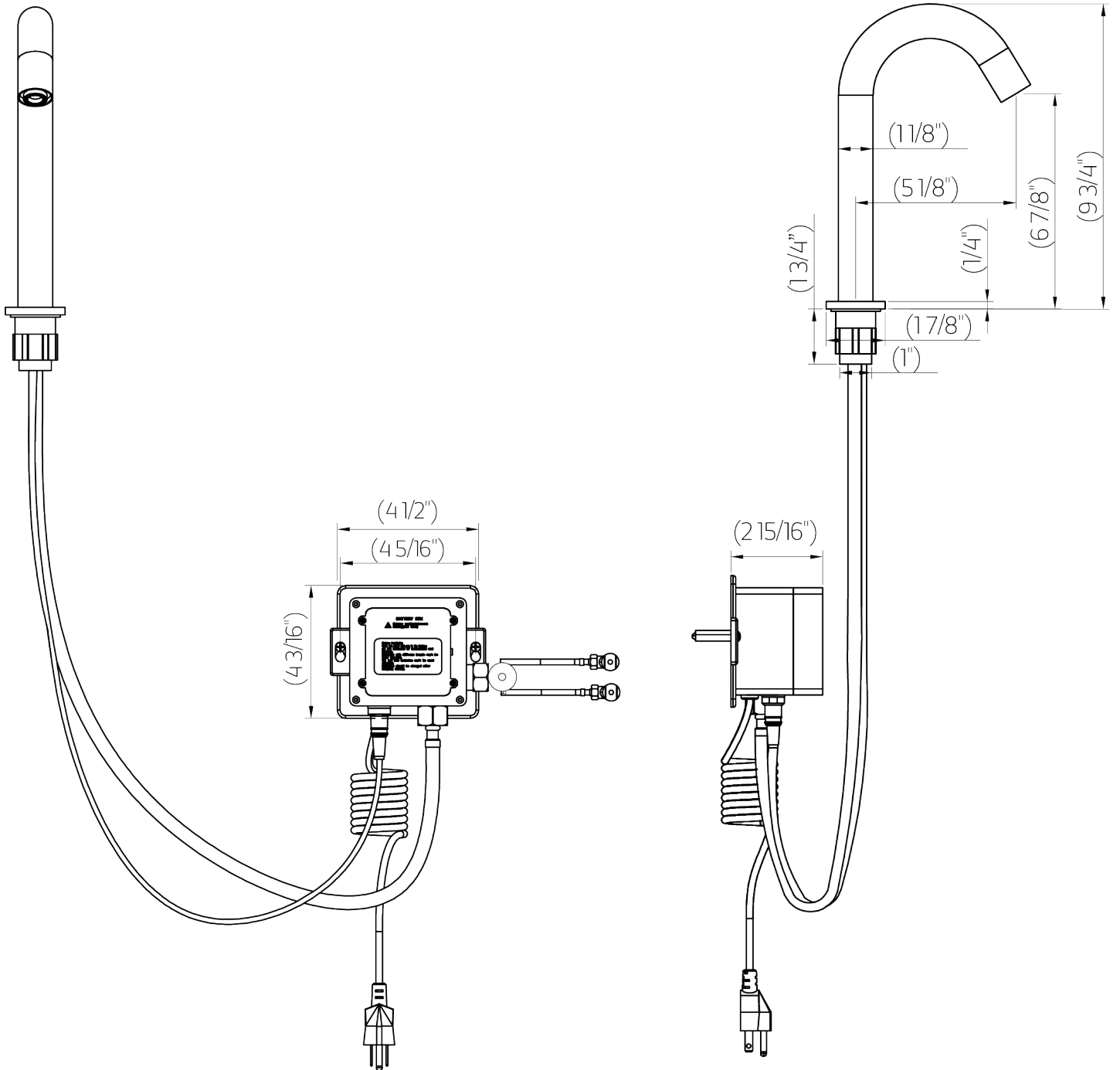
# artos<sup>®</sup>



## CF521

Touch free  
sensor faucet

## TECHNICAL DATA SHEET

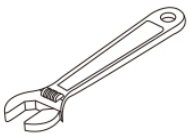


CF521

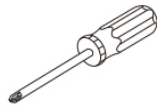
Touch free  
sensor faucet

## INSTALLATION STEPS

### TOOLS FOR INSTALLATION



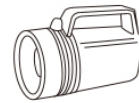
**Adjustable wrench**



**Phillips screwdriver**



**Pipe tape**



**Flashlight**

### Product Description & Info

Water-saving control - sensor responds to the object approach in 0.5s and stops once the object leaves the sensor range.

Sanitation - automatic sensor keeps hand free or touching the faucet

Intelligent sensor - Faucet will automatically stop if water flows over 1 minute. Sensor resets in 10s. The faucet will stop working if water supply or power is out to minimize water leakage.

Low power consumption - 4xAA batteries can be consumed for 2 years 300 cycles a day

Stable & reliable - all faucets are manufactured under harsh moisture and humidity test

---

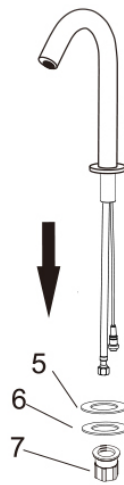
# CF521

Touch free  
sensor faucet

## INSTALLATION STEPS

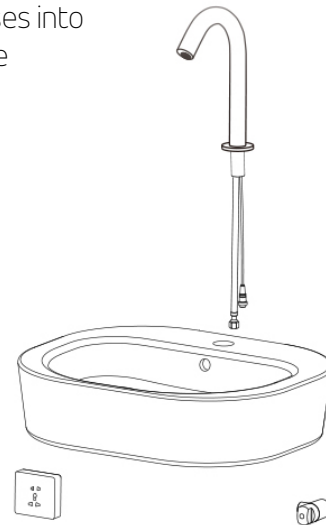
### STEP 1

1. Unscrew the pre-assembled rubber gasket, metal gasket and nut.



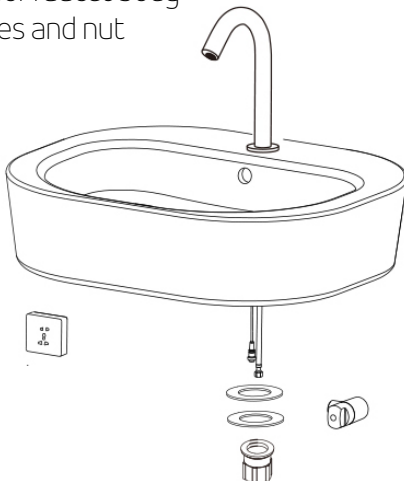
### STEP 2

2. Put the hoses into basin sink hole



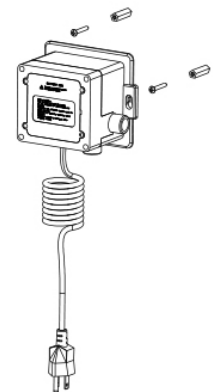
### STEP 3

3. Fix the sensor faucet body with filler pieces and nut



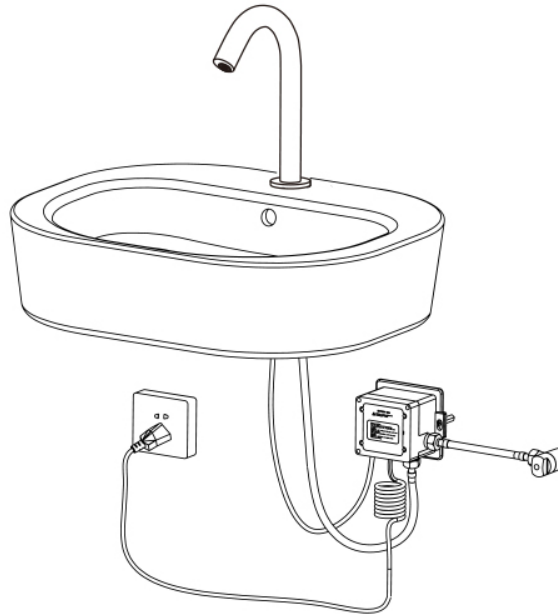
### STEP 4

4. Hang the control box on the wall fixture:  
drill two wall holes, and insert the plastic expansion sleeve and screws



### STEP 5

5. Connect the water inlet hose with control box. Make sure everything is secured then connect the control box with power outlet.



### STEP 7

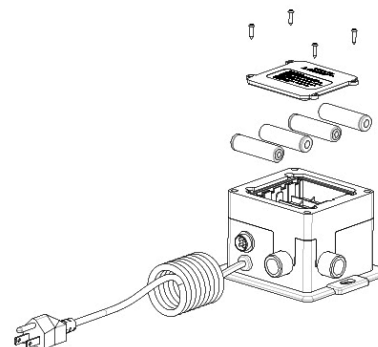
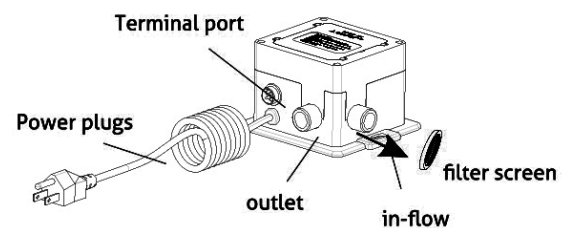
#### 7. Single Cold Control Box

Clean Filter: Cold water control box

1. Disconnect the power plug
2. Turn of water
3. Take out filter screen with needle nose pliers
4. Clean filter screen gently with running water and replace the screen

Installation of battery

1. When the battery is out, the light sensor will flash every 2-3 sec
2. Replace the battery by taking off the cover and replace new battery



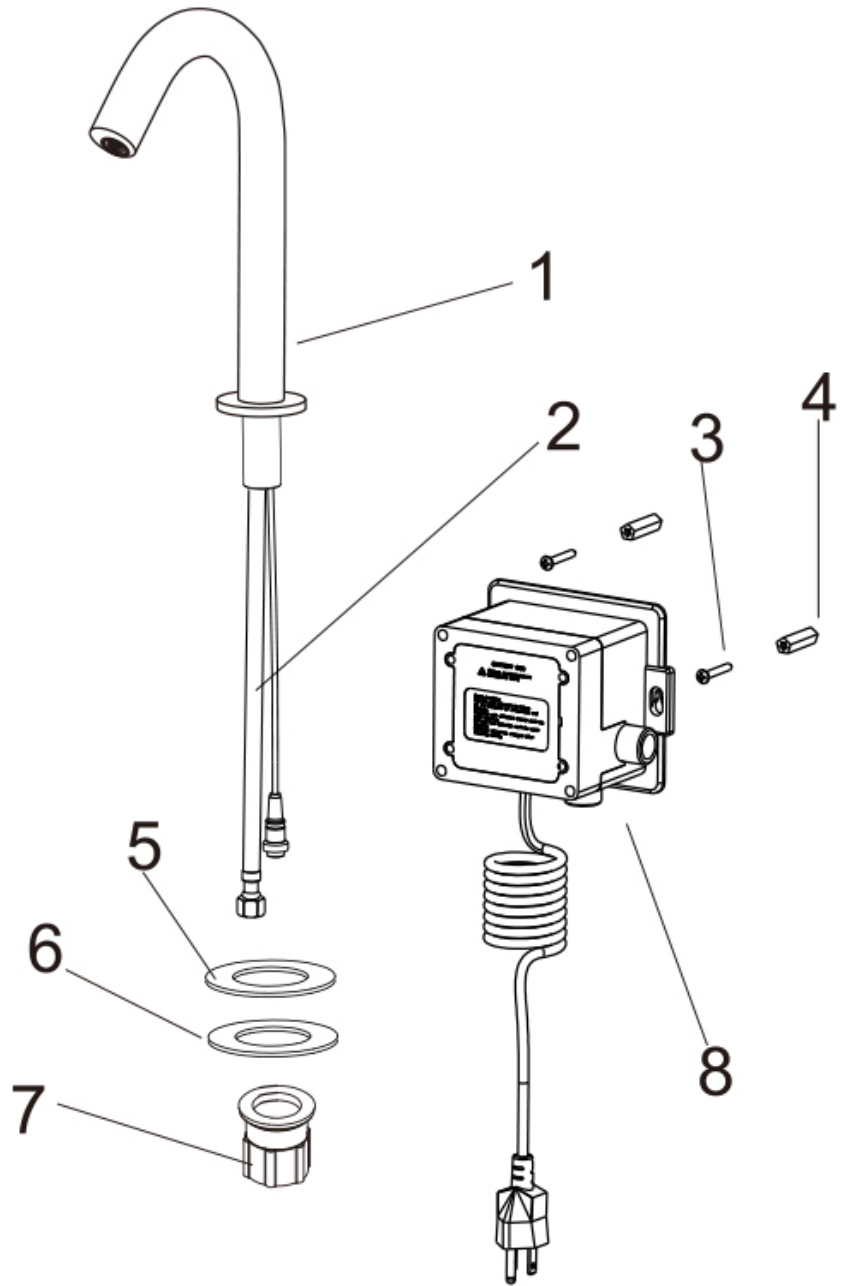
# artos<sup>®</sup>

## CF521

Touch free  
sensor faucet

### PARTS BREAKDOWN

- ① SENSOR FAUCET BODY
- ② BRAIDED HOSE
- ③ SELF-TAPPING SCREW
- ④ PLASTIC SLEEVE
- ⑤ RUBBER GASKET
- ⑥ METAL GASKET
- ⑦ NUT
- ⑧ CONTROL BOX



# artos<sup>®</sup>

## CF521

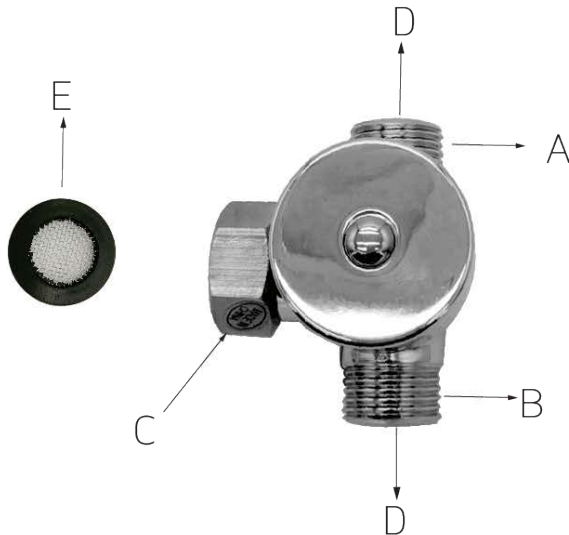
Touch free  
sensor faucet



### OPERATING SPECIFICATIONS

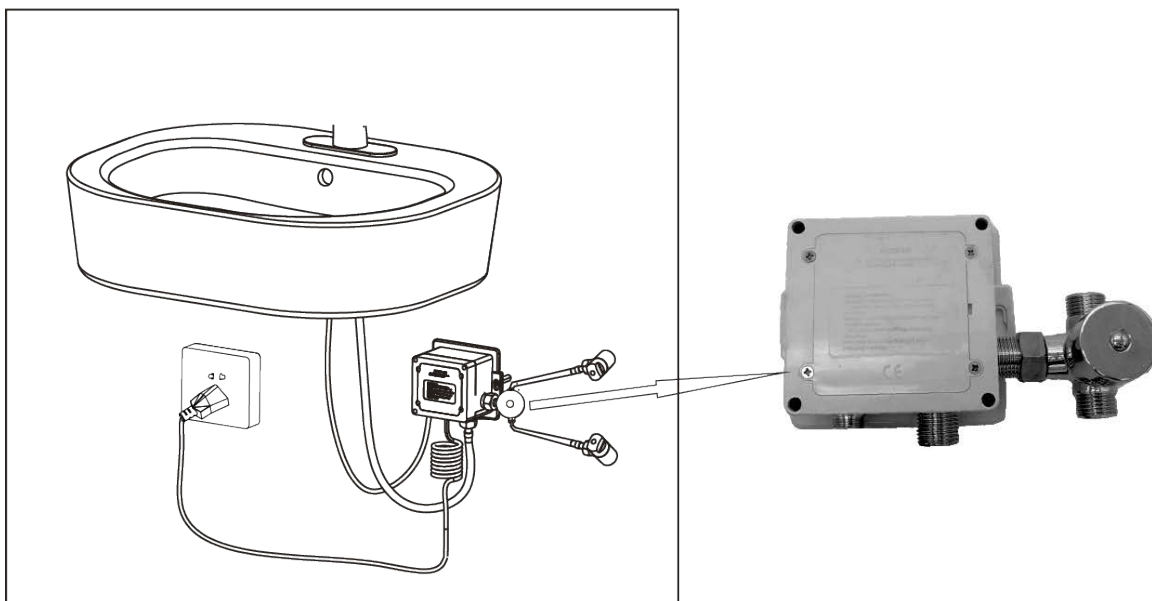
CFMV01 Mixing Valve -  
use with CF521 touch free sensor  
faucet

#### 1. PARTS NAME



- A** 1/2" HOT WATER INLET
- B** 1/2" COLD WATER INLET
- C** WATER PORT
- D** CHECK VALVE
- E** RUBBER GASKET

#### 2. ILLUSTRATION INSTALLATION





# artos<sup>®</sup>

## CF521

Touch free  
sensor faucet

### CARE & MAINTENANCE

For best results, keep the following in mind to retain the high quality finish of your artos<sup>®</sup> faucets:

- Use a soft, dampened sponge or cloth. On no account should you use an abrasive material such as a brush, scouring pad or steel wool to clean surfaces.
- Test your cleaning agent solution on an inconspicuous area before applying to the entire faucet.
- Wipe surfaces clean and rinse completely with water immediately after applying cleaning agent.
- An ideal cleaning technique is to rinse faucet thoroughly and blot dry any water from the surface after each use.

### LIMITED LIFETIME WARRANTY

artos<sup>®</sup> faucets are guaranteed for life against leaks and finishing defects for as long as the original purchaser owns it.

Damage caused by accident, misuse, abuse, improper installation, improper cleaning or alteration will void the warranty. This warranty does not cover replacement parts where damage is caused by normal wear and tear. Westover, Inc is not responsible for labor charges, installation or other incidental or consequential costs. Proof of purchase must be provided with all claims.

Please register this product online at [WWW.ARTOS.US.COM](http://WWW.ARTOS.US.COM)

ITEM NO. **CF521**  
SERIAL NO.