

72"

Item Number:

- 650-V72-BKO
- 650-V72-BNM
- 650-V72-CWH
- 650-V72-UGR
- 650-V72-VBL

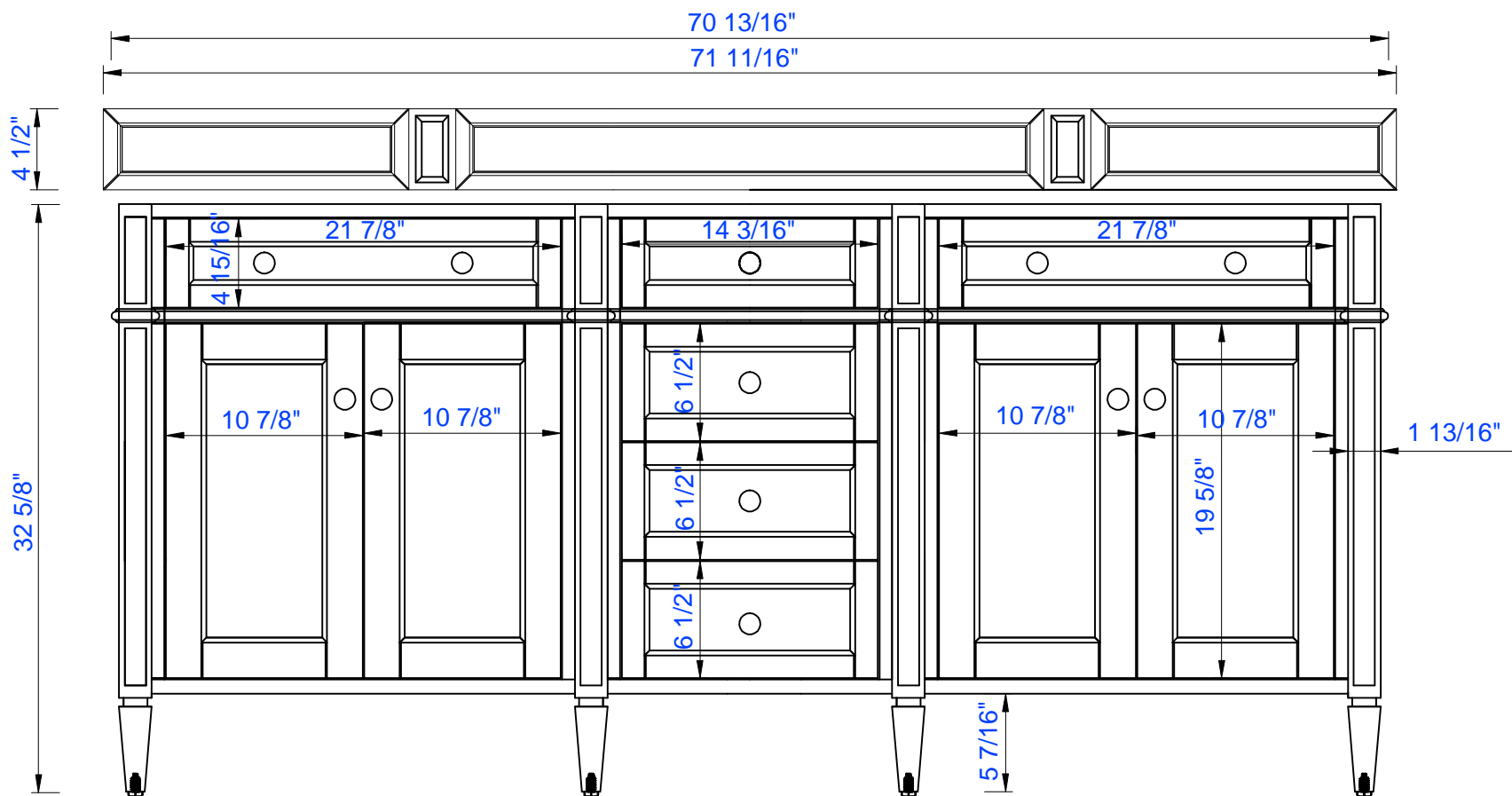
JAMES MARTIN



VANITIES™

Brittany 72" Cabinet

Diagrams with Dimensions  
page 01 of 03



NOTE ONE: Countertops are not shown in these diagrams. (Cabinet Only)

NOTE TWO: Wooden Backsplash (Shown) is designed for the molding detail to align with sinks in James Martin's Optional Countertops.

Customers' own countertops and sinks may align differently.

Please consult our website for Countertop Diagrams: [www.jamesmartinvanities.com](http://www.jamesmartinvanities.com)

72"

Item Number:

- 650-V72-BKO
- 650-V72-BNM
- 650-V72-CWH
- 650-V72-UGR
- 650-V72-VBL

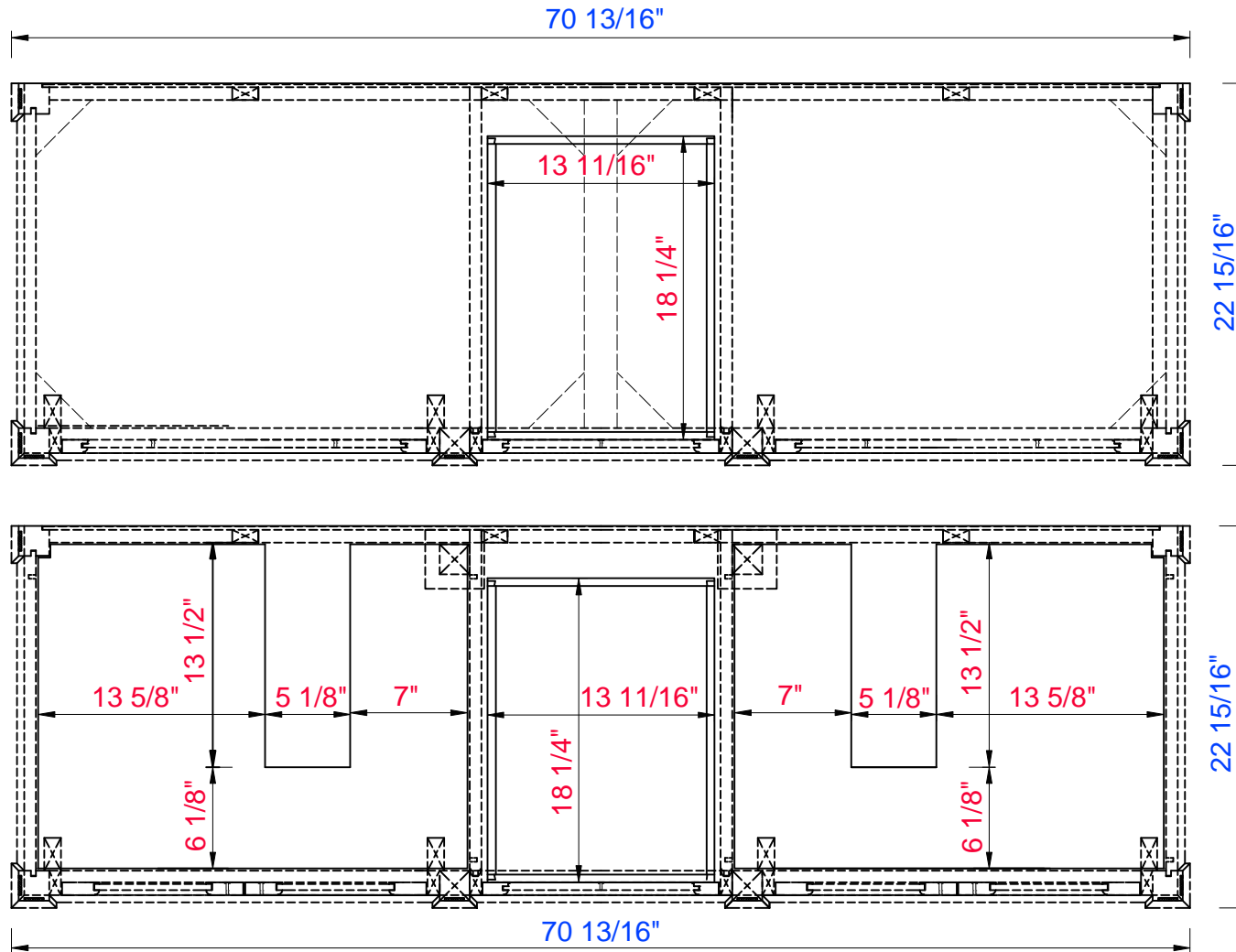
JAMES MARTIN



VANITIES™

Brittany 72" Cabinet

Diagrams with Dimensions  
page 02 of 03



NOTE ONE: Countertops are not shown in these diagrams. (Cabinet Only)

NOTE TWO: Internal Shelves (Shown) are designed to align with sinks in James Martin's Optional Countertops.  
 Customers' own countertops and sinks may align differently, and modification may be required.  
 Please consult our website for Countertop Diagrams: [www.jamesmartinvanities.com](http://www.jamesmartinvanities.com)

72"

Item Number:

- 650-V72-BKO
- 650-V72-BNM
- 650-V72-CWH
- 650-V72-UGR
- 650-V72-VBL

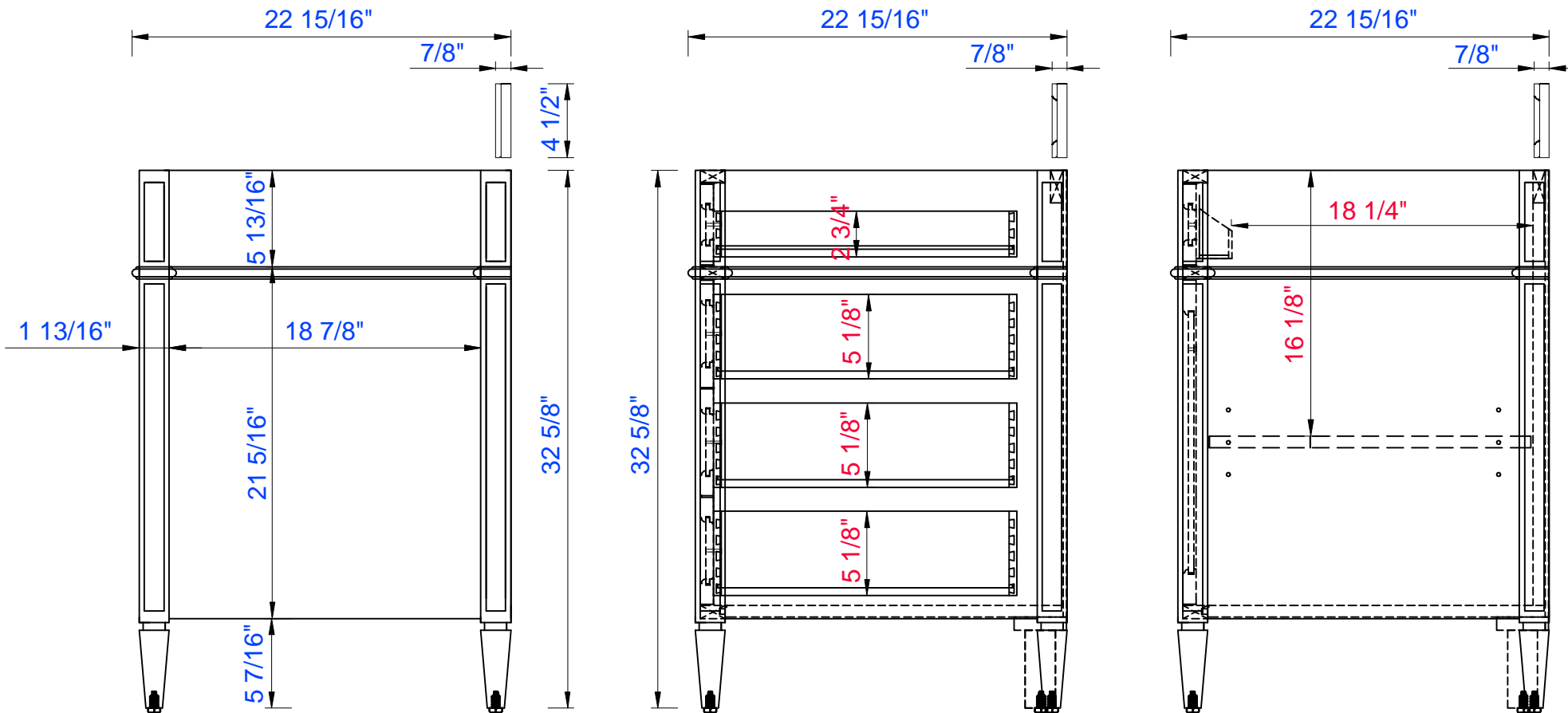
JAMES MARTIN



VANITIES™

Brittany 72" Cabinet

Diagrams with Dimensions  
page 03 of 03



NOTE ONE: Countertops are not shown in these diagrams. (Cabinet Only)

NOTE TWO: Wooden Backsplash (Shown) is designed for the molding detail to align with sinks in James Martin's Optional Countertops.

Customers' own countertops and sinks may align differently.

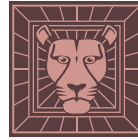
Please consult our website for Countertop Diagrams: [www.jamesmartinvanities.com](http://www.jamesmartinvanities.com)

1828mm

Item Number:

- 650-V72-BKO
- 650-V72-BNM
- 650-V72-CWH
- 650-V72-UGR
- 650-V72-VBL

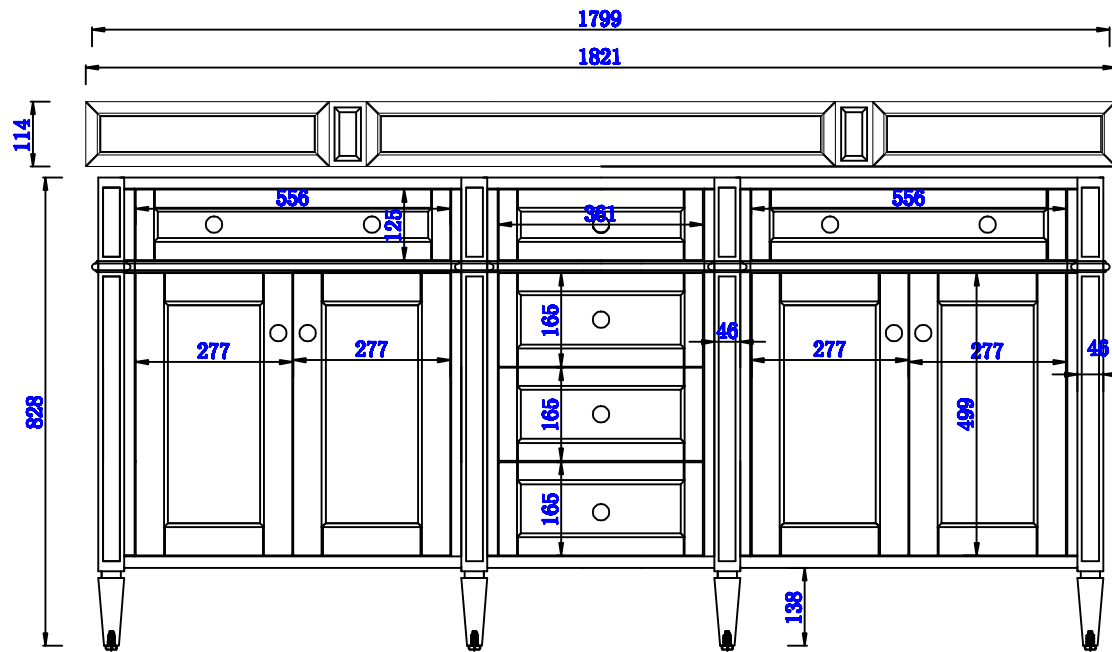
JAMES MARTIN



VANITIES™

Brittany 1828mm Cabinet

Diagrams with Dimensions  
page 01 of 03



NOTE ONE: Countertops are not shown in these diagrams. (Cabinet Only)

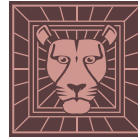
NOTE TWO: Wooden Backsplash (Shown) is designed for the molding detail to align with sinks in James Martin's Optional Countertops. Customers' own countertops and sinks may align differently.

Please consult our website for Countertop Diagrams: [www.jamesmartinvanities.com](http://www.jamesmartinvanities.com)

1828mm

Item Number:  
650-V72-BKO  
650-V72-BNM  
650-V72-CWH  
650-V72-UGR  
650-V72-VBL

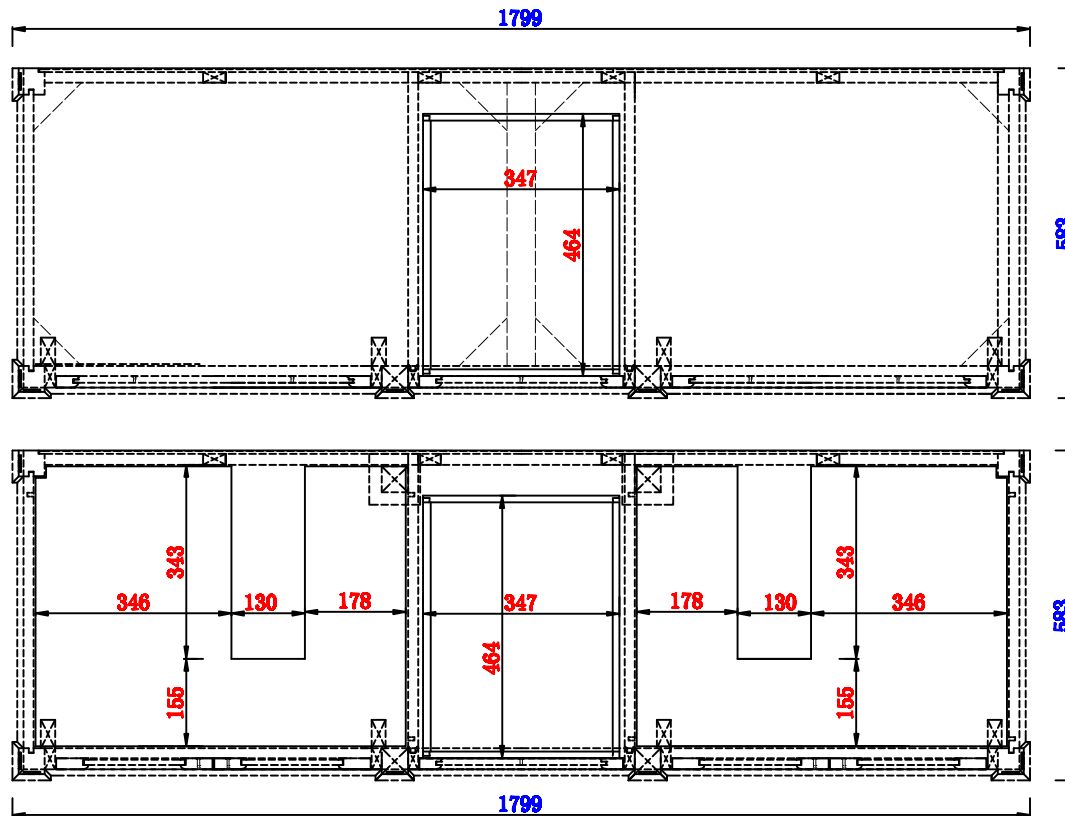
JAMES MARTIN



VANITIES™

Brittany 1828mm Cabinet

Diagrams with Dimensions  
page 02 of 03



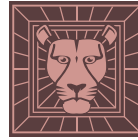
NOTE ONE: Countertops are not shown in these diagrams. (Cabinet Only)

NOTE TWO: Wooden Backsplash (Shown) is designed for the molding detail to align with sinks in James Martin's Optional Countertops. Customers' own countertops and sinks may align differently, and modification may be required. Please consult our website for Countertop Diagrams: [www.jamesmartinvanities.com](http://www.jamesmartinvanities.com)

Item Number:

- 650-V72-BKO
- 650-V72-BNM
- 650-V72-CWH
- 650-V72-UGR
- 650-V72-VBL

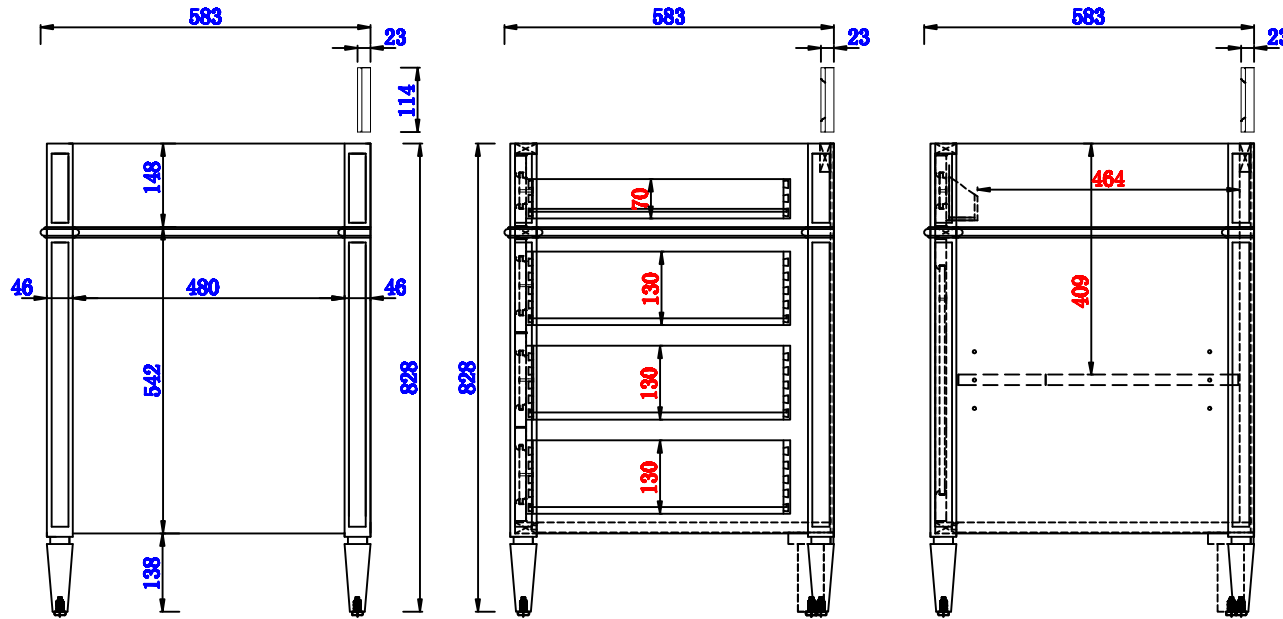
JAMES MARTIN



VANITIES™

Brittany 1828mm Cabinet

Diagrams with Dimensions  
page 03 of 03



NOTE ONE: Countertops are not shown in these diagrams. (Cabinet Only)

NOTE TWO: Wooden Backsplash (Shown) is designed for the molding detail to align with sinks in James Martin's Optional Countertops. Customers' own countertops and sinks may align differently.

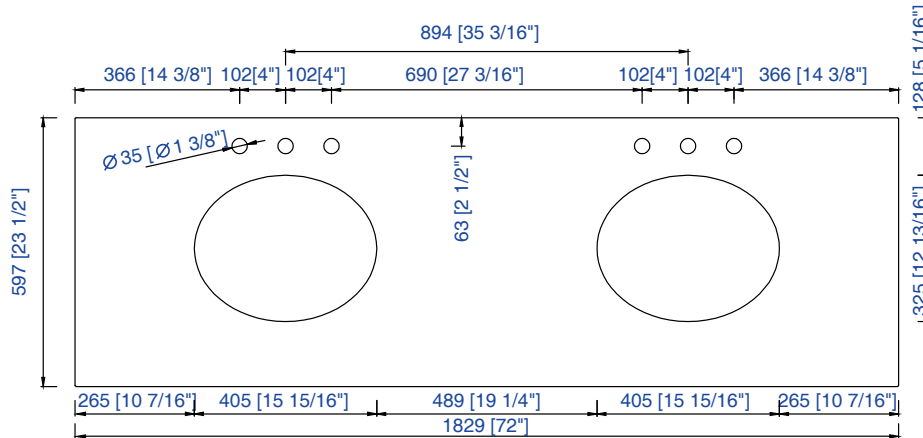
Please consult our website for Countertop Diagrams: [www.jamesmartinvanities.com](http://www.jamesmartinvanities.com)



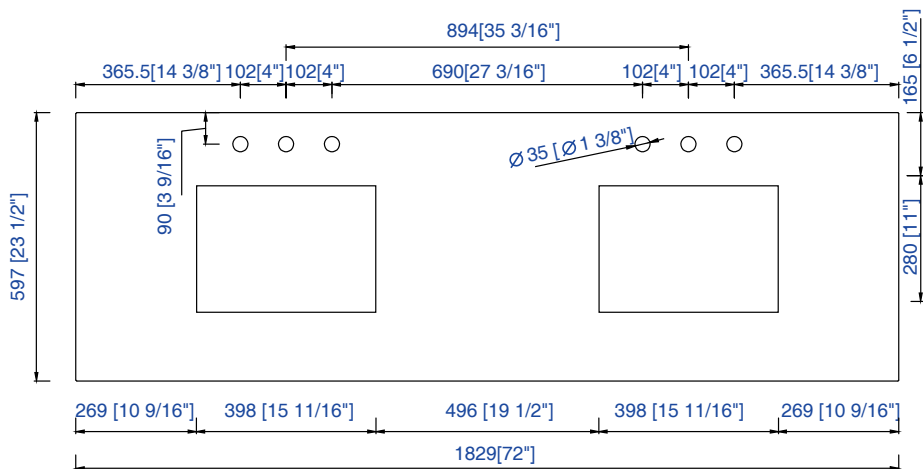
# I G' Vanity Top Spec Sheet

James Martin Vanities Company always recommends you consult and/or hire a professional contractor when installing your vanity cabinet and top.

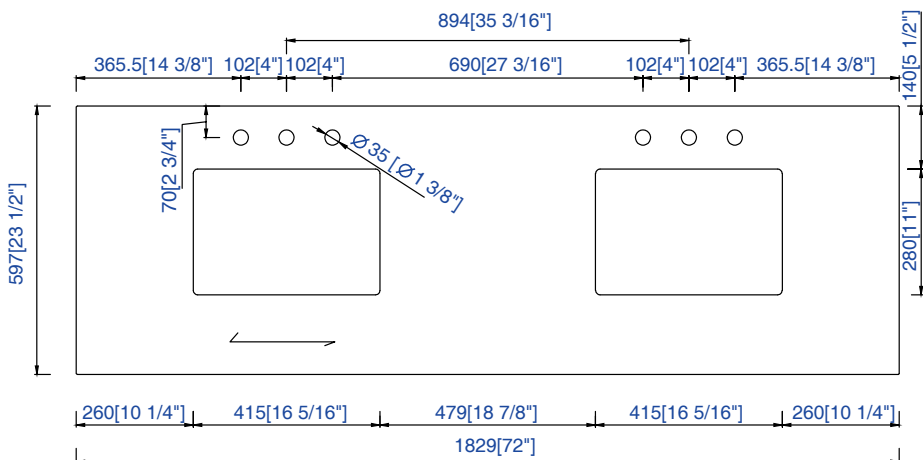
3cm/1.18"  
Countertop



James Martin - Natural Stone Countertop Measurement Specification



James Martin - Natural Stone & Solid Surface Countertop Measurement Specification



James Martin - Quartz Countertop Measurement Specification