

30"

Item Number:

- 650-V30-BKO
- 650-V30-BNM
- 650-V30-CWH
- 650-V30-UGR
- 650-V30-VBL

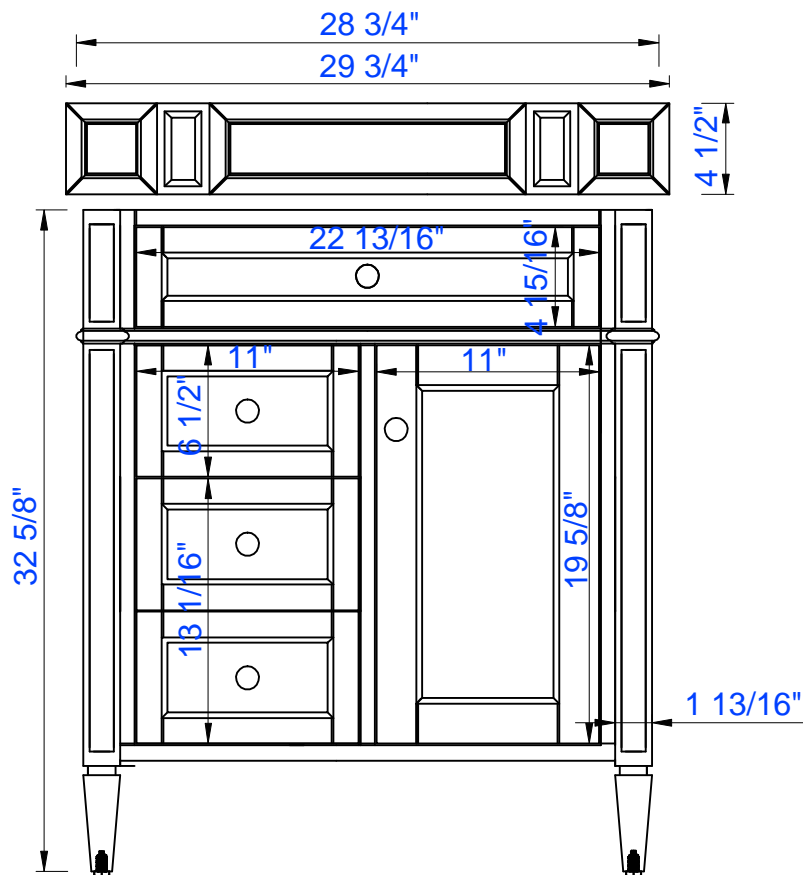
JAMES MARTIN



VANITIES™

Brittany 30" Single Vanity

Diagrams with Dimensions
page 01 of 03



NOTE ONE: Countertops are not shown in these diagrams. (Cabinet Only)

NOTE TWO: Wood Backsplash (Shown) is designed for the molding detail to align with sinks in James Martin's Optional Countertops.

Customer's own countertops and sinks may align differently.

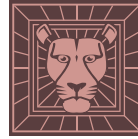
Please consult our website for Countertop Diagrams: www.jamesmartinvanities.com

30"

Item Number:

- 650-V30-BKO
- 650-V30-BNM
- 650-V30-CWH
- 650-V30-UGR
- 650-V30-VBL

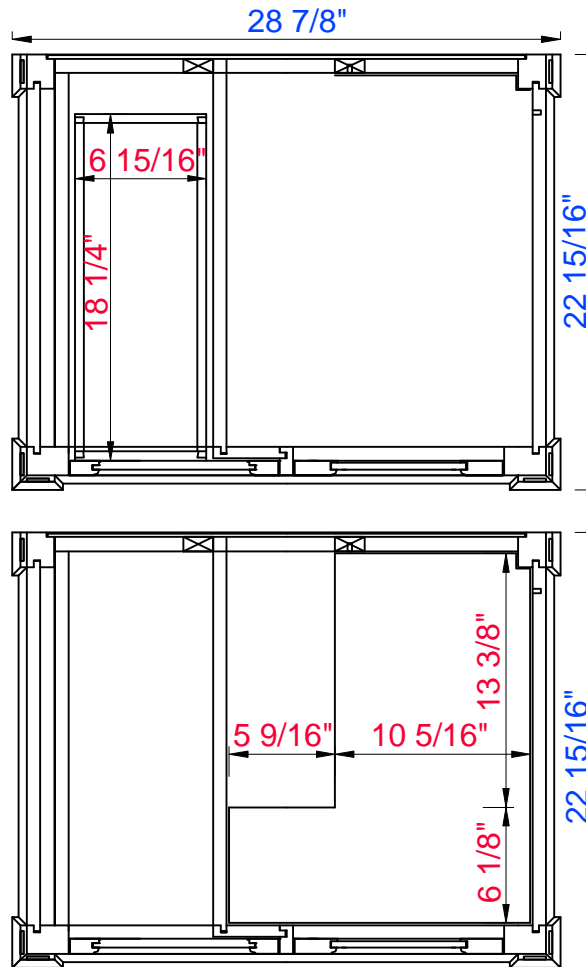
JAMES MARTIN



VANITIES™

Brittany 30" Single Vanity

Diagrams with Dimensions
page 02 of 03



NOTE ONE: Countertops are not shown in these diagrams. (Cabinet Only)

NOTE TWO: Internal Shelves(Shown) are designed to align with sinks in James Martin's Optional Countertops. Customer's own countertops and sink may align differently, and modification may be required. Please consult our website for Countertop Diagrams: www.jamesmartinvanities.com

30"

Item Number:

- 650-V30-BKO
- 650-V30-BNM
- 650-V30-CWH
- 650-V30-UGR
- 650-V30-VBL

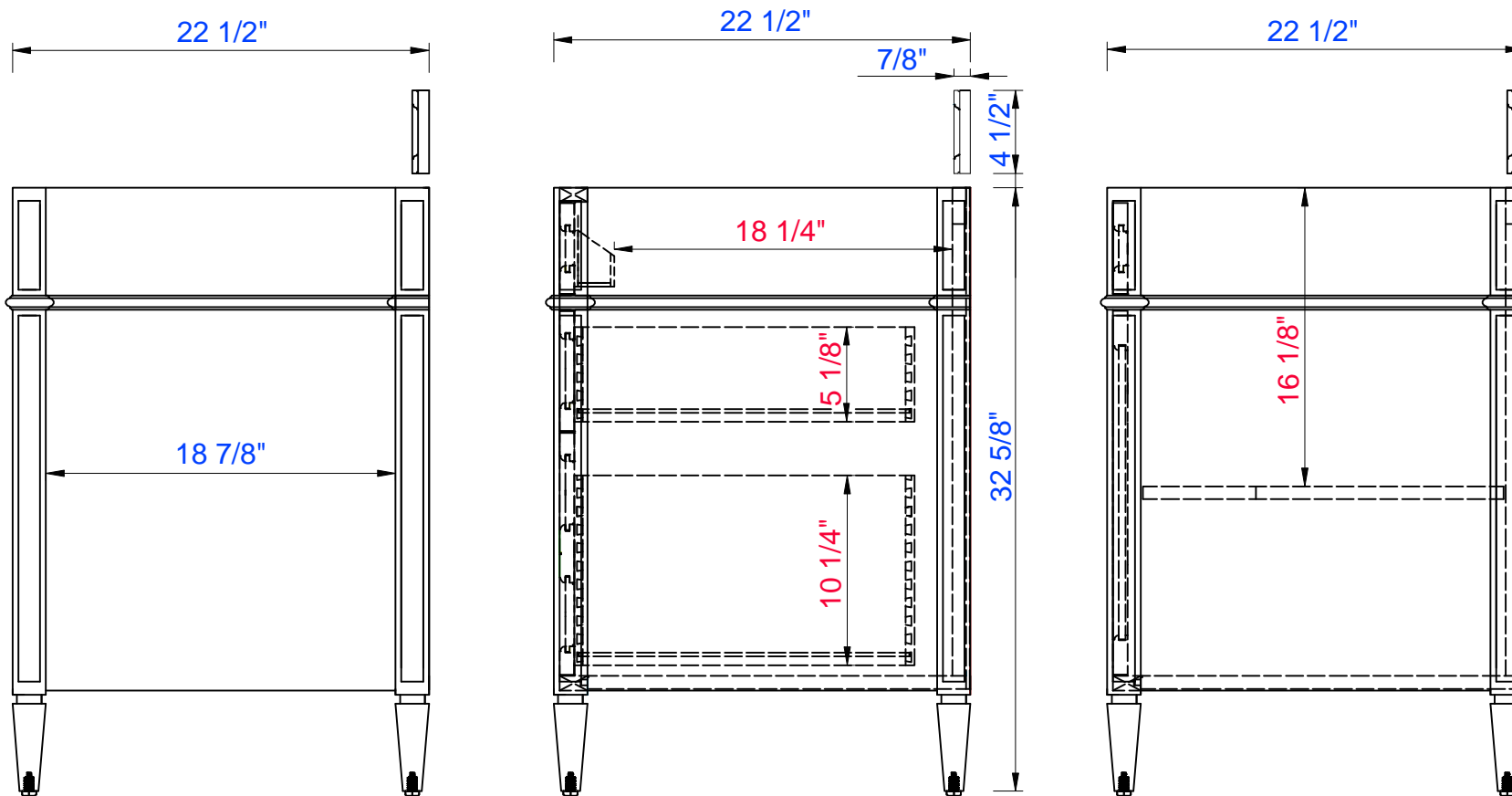
JAMES MARTIN



VANITIES™

Brittany 30" Single Vanity

Diagrams with Dimensions
page 03 of 03



NOTE ONE: Countertops are not shown in these diagrams. (Cabinet Only)

NOTE TWO: Wood Backsplash (Shown) is designed for the molding detail to align with sinks in James Martin's Optional Countertops.

Customer's own countertops and sinks may align differently, and modification may be required.

Please consult our website for Countertop Diagrams: www.jamesmartinvanities.com

762 mm

Item Number:

- 650-V30-BKO
- 650-V30-BNM
- 650-V30-CWH
- 650-V30-UGR
- 650-V30-VBL

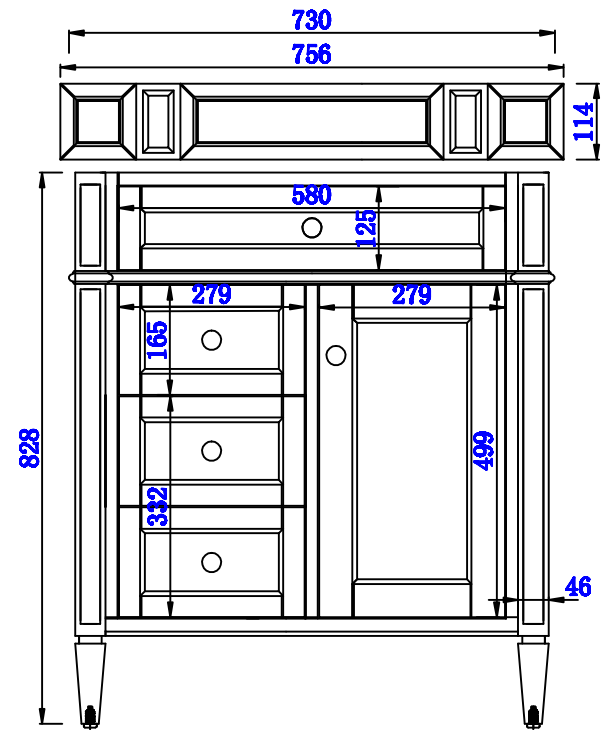
JAMES MARTIN



VANITIES™

Brittany 762mm Single Vanity

Diagrams with Dimensions
page 01 of 03



NOTE ONE: Countertops are not shown in these diagrams. (Cabinet Only)

NOTE TWO: Wood Backsplash (Shown) is designed for the molding detail to align with sinks in James Martin's Optional Countertops.

Customer's own countertops and sinks may align differently, and modification may be required.

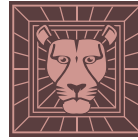
Please consult our website for Countertop Diagrams: www.jamesmartinvanities.com

762 mm

Item Number:

- 650-V30-BKO
- 650-V30-BNM
- 650-V30-CWH
- 650-V30-UGR
- 650-V30-VBL

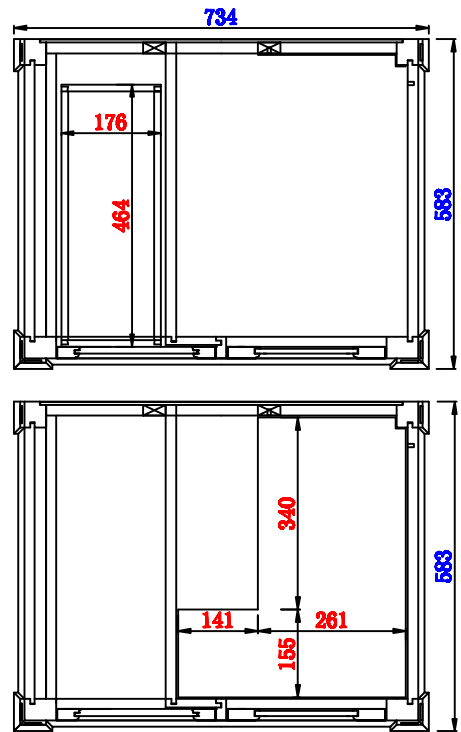
JAMES MARTIN



VANITIES™

Brittany 762mm Single Vanity

Diagrams with Dimensions
page 02 of 03



NOTE ONE: Countertops are not shown in these diagrams. (Cabinet Only)

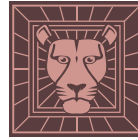
NOTE TWO: Internal Shelves(Shown) are designed to align with sinks in James Martin's Optional Countertops. Customer's own countertops and sink may align differently, and modification may be required. Please consult our website for Countertop Diagrams: www.jamesmartinvanities.com

762 mm

Item Number:

- 650-V30-BKO
- 650-V30-BNM
- 650-V30-CWH
- 650-V30-UGR
- 650-V30-VBL

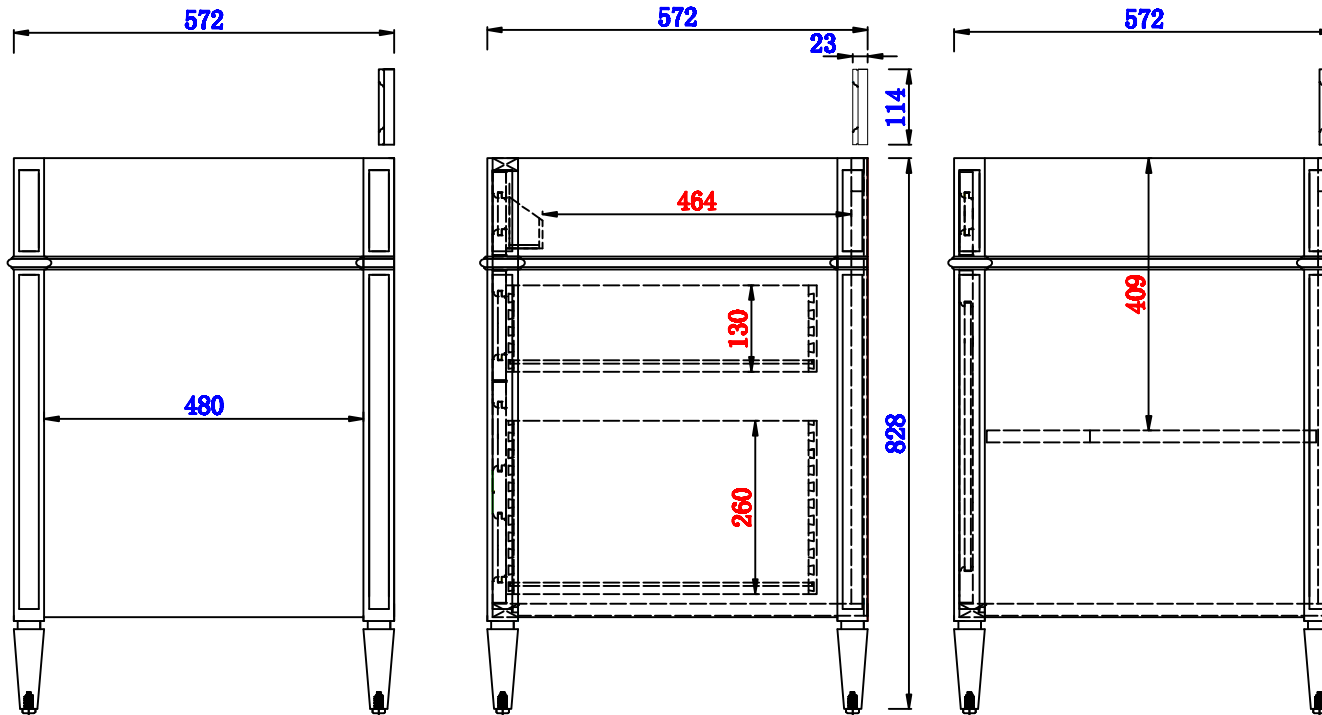
JAMES MARTIN



VANITIES™

Brittany 762mm Single Vanity

Diagrams with Dimensions
page 03 of 03



NOTE ONE: Countertops are not shown in these diagrams. (Cabinet Only)

NOTE TWO: Wood Backsplash (Shown) is designed for the molding detail to align with sinks in James Martin's Optional Countertops. Customer's own countertops and sinks may align differently, and modification may be required.

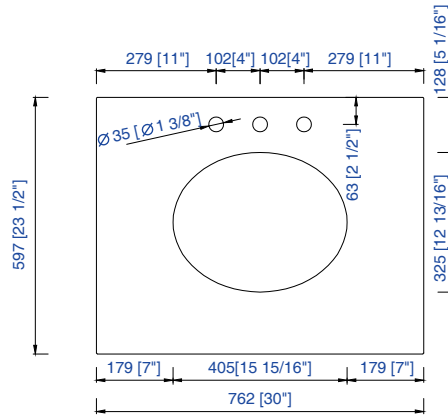
Please consult our website for Countertop Diagrams: www.jamesmartinvanities.com



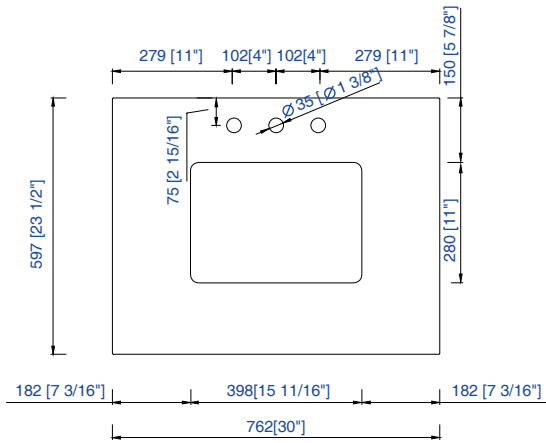
30" Vanity Top Spec Sheet

James Martin Vanities Company always recommends you consult and/or hire a professional contractor when installing your vanity cabinet and top.

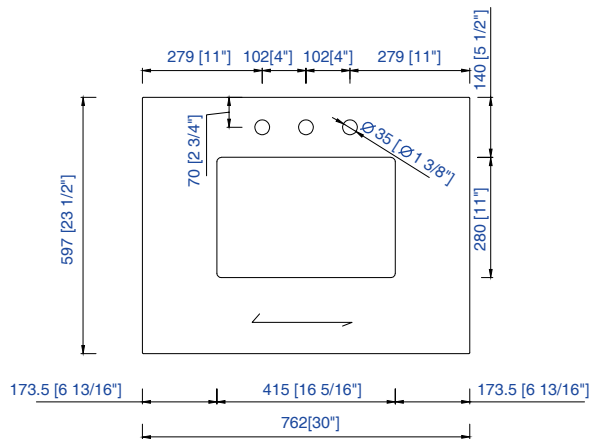
3cm/1.18"
Countertop



James Martin - Natural Stone Countertop Measurement Specification



James Martin - Natural Stone & Solid Surface Countertop Measurement Specification



James Martin - Quartz Countertop Measurement Specification