

30"

Item Number:

- 157-V30-CWH
- 157-V30-VV
- 157-V30-WW

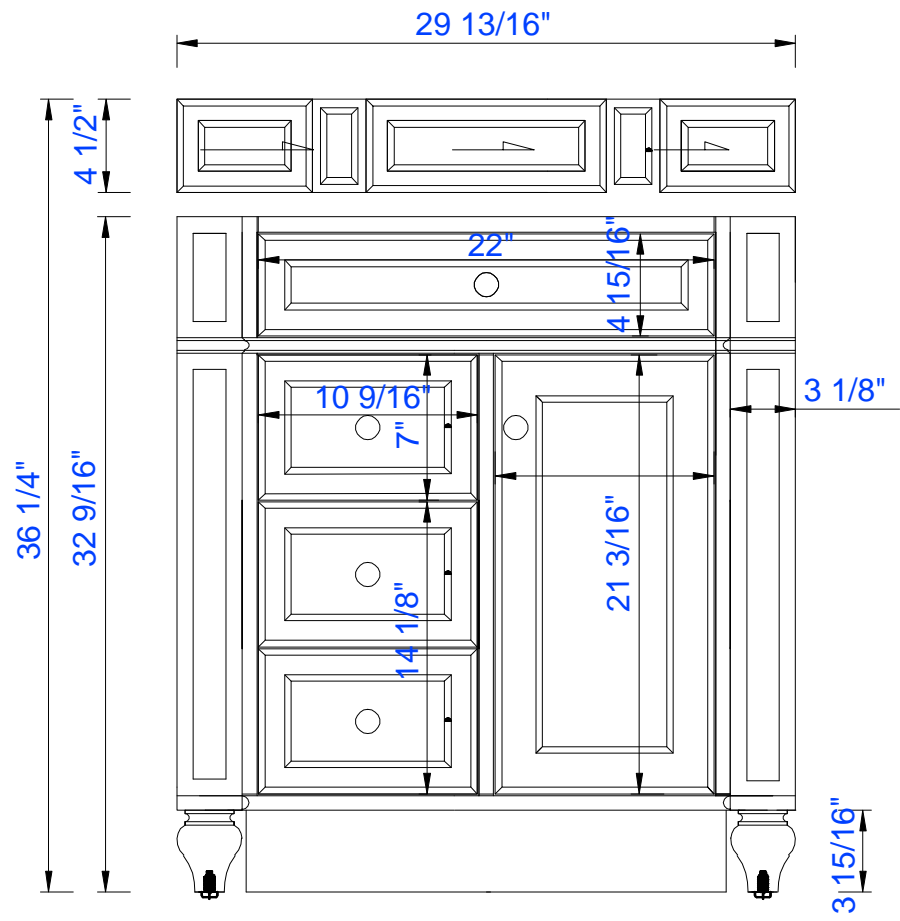
JAMES MARTIN



VANITIES™

Bristol 30" Cabinet

Diagrams with Dimensions  
page 01 of 03



NOTE ONE:Countertops are not shown in these diagrams.(Cabinet Only)

NOTE TWO:Wood Backsplash(Shown)is designed for the molding detail to align with sinks in James Martin's Optional Countertops.

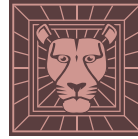
Customers'own countertops and sinks may align differently.

Please consult our website for Countertop Diagrams: [www.jamesmartinvanities.com](http://www.jamesmartinvanities.com)

Item Number:

157-V30-CWH  
 157-V30-VV  
 157-V30-WW

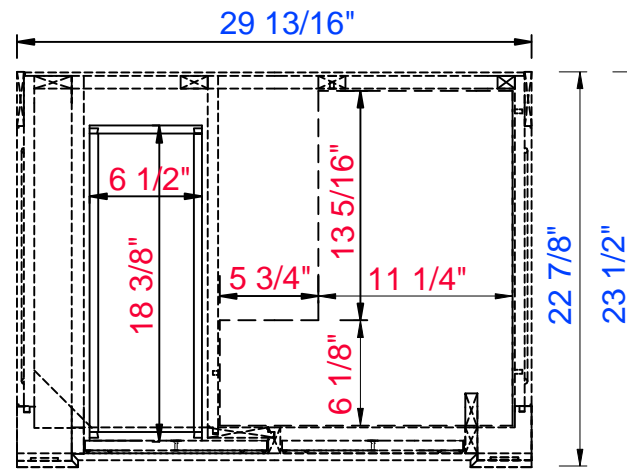
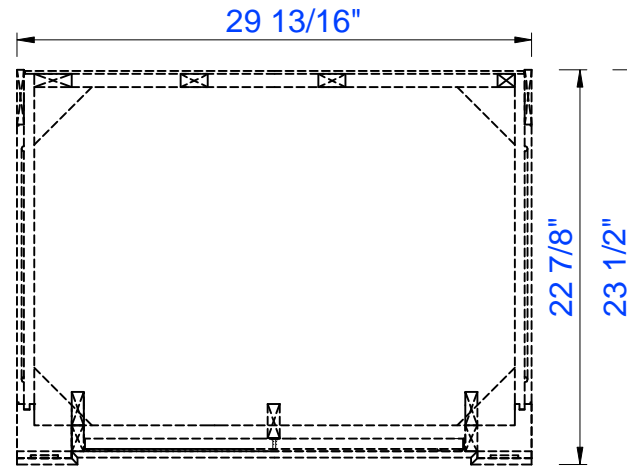
JAMES MARTIN



VANITIES™

Bristol 30" Cabinet

Diagrams with Dimensions  
 page 02 of 03



NOTE ONE: Countertops are not shown in these diagrams. (Cabinet Only)

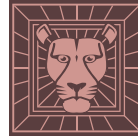
NOTE TWO: Internal Shelves (Shown) are designed to align with sinks in James Martin's Optional Countertops. Customers' own countertops and sinks may align differently, and modification may be required. Please consult our website for Countertop Diagrams: [www.jamesmartinvanities.com](http://www.jamesmartinvanities.com)

30"

Item Number:

157-V30-CWH  
157-V30-VV  
157-V30-WW

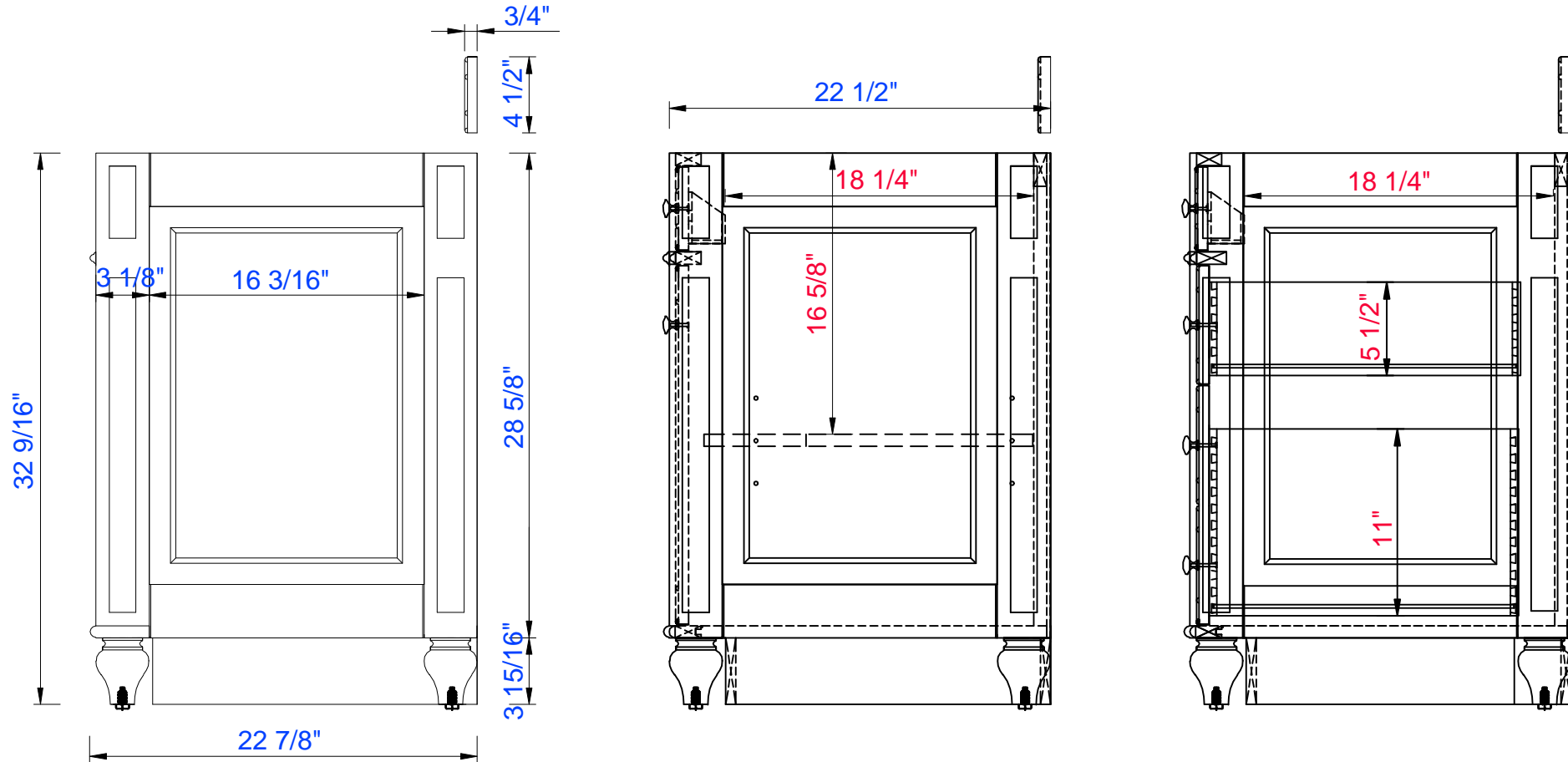
JAMES MARTIN



VANITIES™

Bristol 30" Cabinet

Diagrams with Dimensions  
page 03 of 03



NOTE ONE: Countertops are not shown in these diagrams. (Cabinet Only)

NOTE TWO: Wood Backsplash (Shown) is designed for the molding detail to align with sinks in James Martin's Optional Countertops. Customers' own countertops and sinks may align differently.

Please consult our website for Countertop Diagrams: [www.jamesmartinvanities.com](http://www.jamesmartinvanities.com)

Version: 202005

Item Number:

- 157-V30-CWH
- 157-V30-VV
- 157-V30-WW

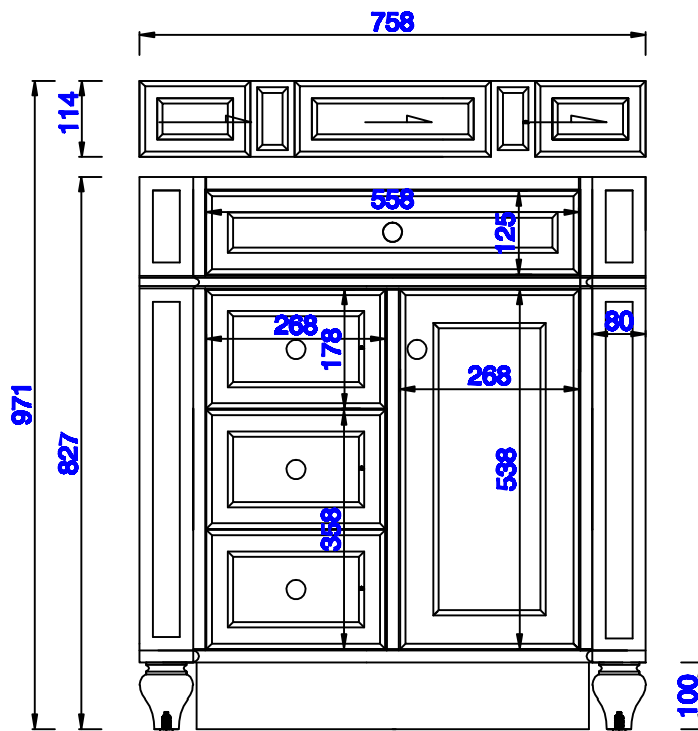
JAMES MARTIN



VANITIES™

Bristol 762mm Cabinet

Diagrams with Dimensions  
page 01 of 03



NOTE ONE:Countertops are not shown in these diagrams.(Cabinet Only)

NOTE TWO:Wood Backsplash(Shown)is designed for the molding detail to align with sinks in James Martin's Optional Countertops.

Customers'own countertops and sinks may align differently.

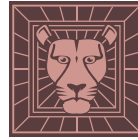
Please consult our website for Countertop Diagrams: [www.jamesmartinvanities.com](http://www.jamesmartinvanities.com)

762mm

Item Number:

157-V30-CWH  
157-V30-VV  
157-V30-WW

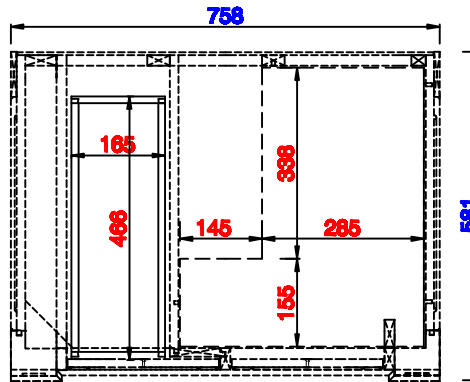
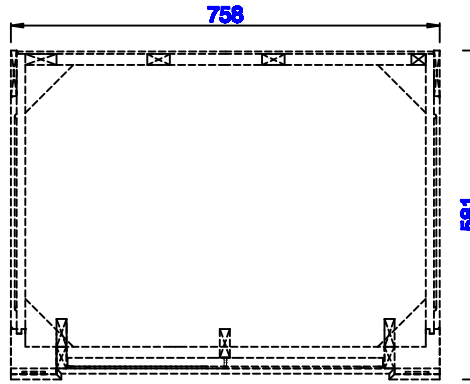
JAMES MARTIN



VANITIES™

Bristol 762mm Cabinet

Diagrams with Dimensions  
page 02 of 03



NOTE ONE: Countertops are not shown in these diagrams. (Cabinet Only)

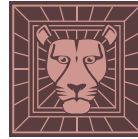
NOTE TWO: Internal Shelves (Shown) are designed to align with sinks in James Martin's Optional Countertops. Customers' own countertops and sinks may align differently, and modification may be required. Please consult our website for Countertop Diagrams: [www.jamesmartinvanities.com](http://www.jamesmartinvanities.com)

762mm

Item Number:

157-V30-CWH  
157-V30-VV  
157-V30-WW

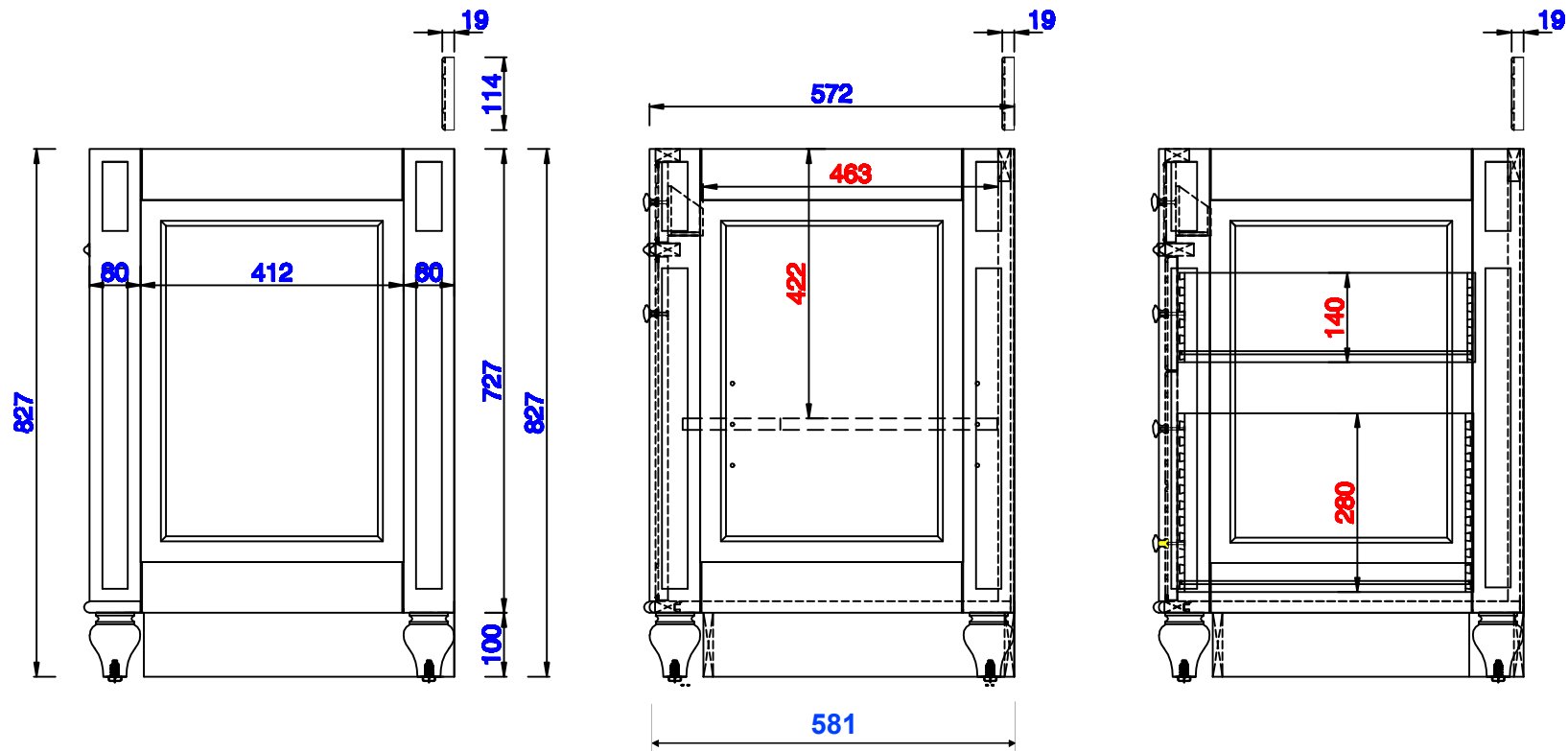
JAMES MARTIN



VANITIES™

Bristol 762mm Cabinet

Diagrams with Dimensions  
page 03 of 03



NOTE ONE: Countertops are not shown in these diagrams. (Cabinet Only)

NOTE TWO: Wood Backsplash (Shown) is designed for the molding detail to align with sinks in James Martin's Optional Countertops. Customers' own countertops and sinks may align differently.

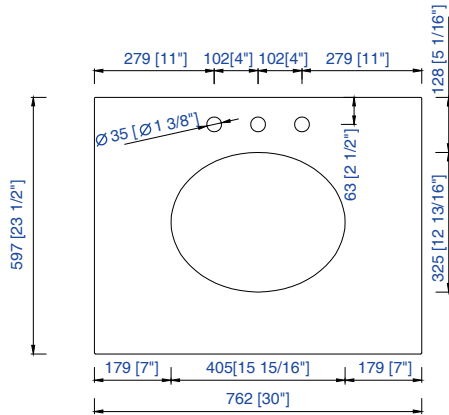
Please consult our website for Countertop Diagrams: [www.jamesmartinvanities.com](http://www.jamesmartinvanities.com)



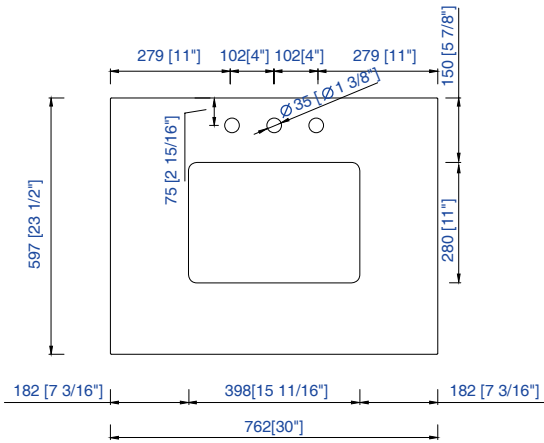
# 30" Vanity Top Spec Sheet

James Martin Vanities Company always recommends you consult and/or hire a professional contractor when installing your vanity cabinet and top.

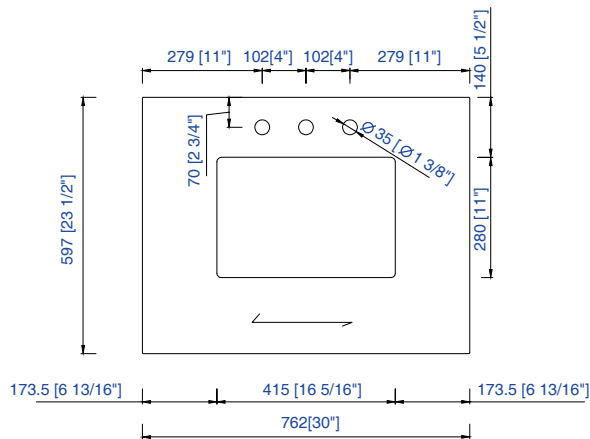
3cm/1.18"  
Countertop



James Martin - Natural Stone Countertop Measurement Specification



James Martin - Natural Stone & Solid Surface Countertop Measurement Specification



James Martin - Quartz Countertop Measurement Specification