



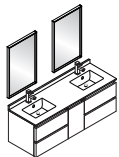
FORMOSA

INSTALLATION GUIDE

FVN31-241224ACA

CONTENTS:

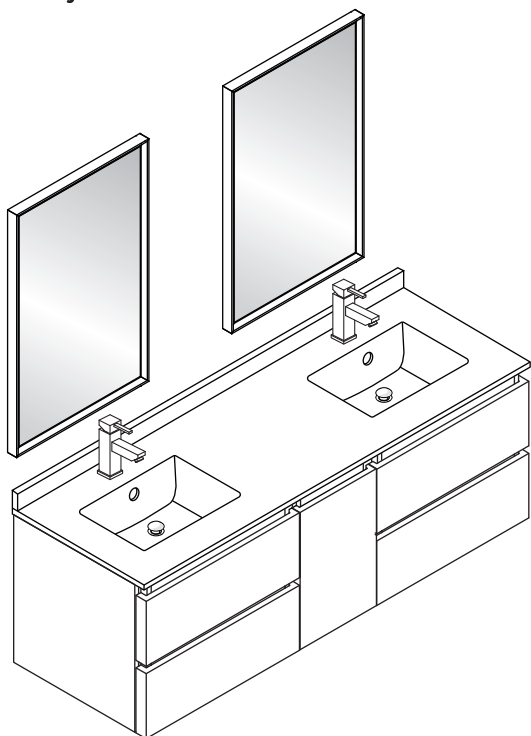
| | | |
|---------------|-----------------------|--------|
| Mirror | FMR3120ACA | PAGE 2 |
| Cabinet | FCB3124ACA | PAGE 3 |
| Sink | FCT2060WH-D-CMB | PAGE 3 |



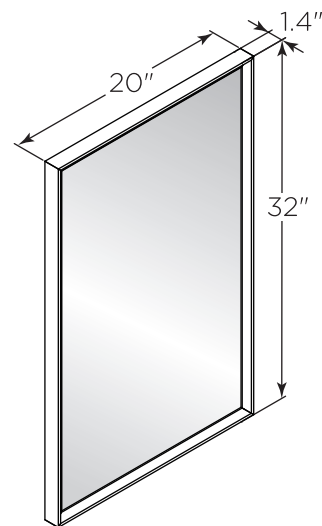
FVN31-241224ACA FORMOSA INSTALLATION GUIDE



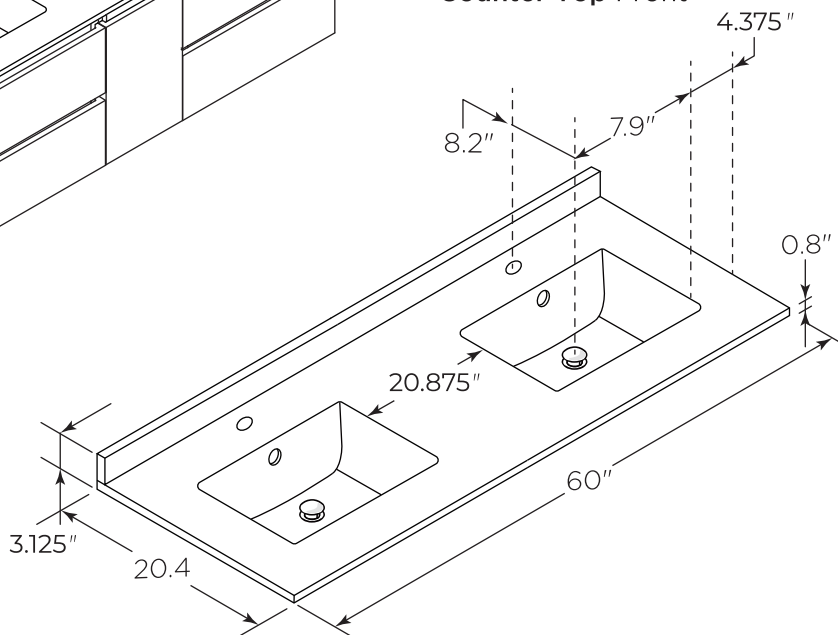
FVN31-241224ACA
Vanity Front



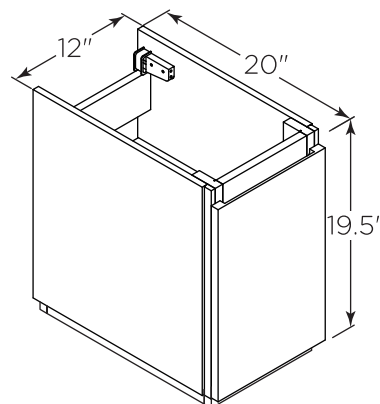
FMR3120ACA (X2)
Mirror Front



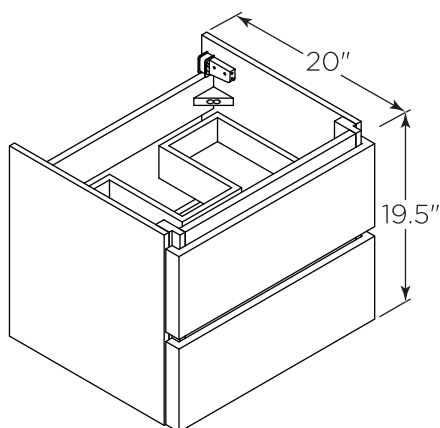
FCT2060WH-D-CMB
Counter Top Front



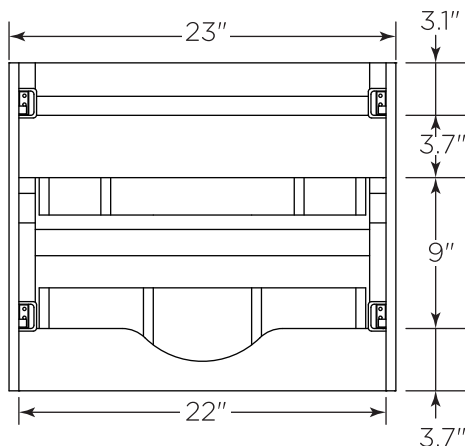
FST3112ACA
Cabinet Front



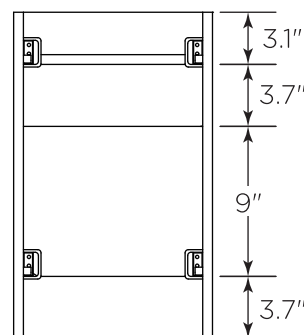
FCB3124ACA (X2)
Cabinet Front



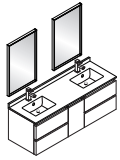
FCB3124ACA
Cabinet Back



FST3112ACA
Cabinet Back



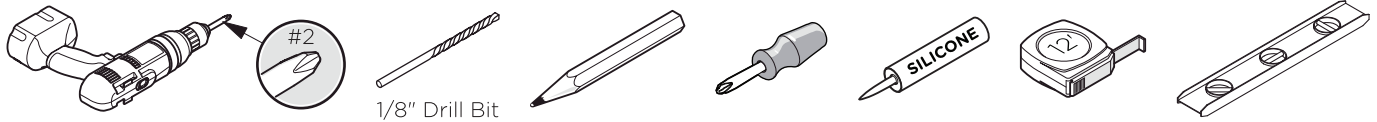
NOTE: All dimensions & specifications are approximate and subject to change without notice.



FVN31-241224ACA FORMOSA INSTALLATION GUIDE

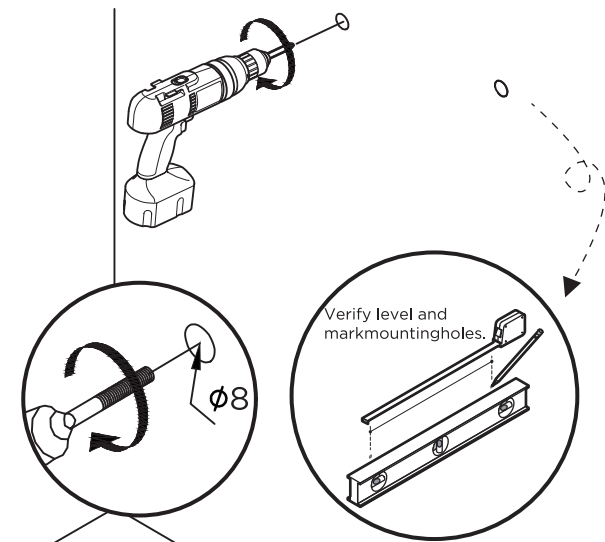


TOOLS FOR ASSEMBLY

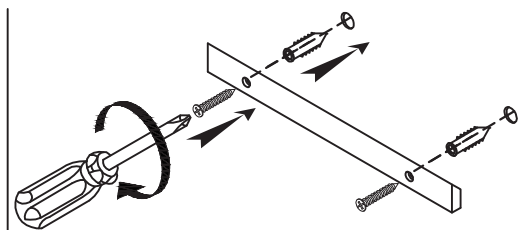


MIRROR INSTALLATION

- 1** Measure distance between the holes and mark it on the wall using a level.

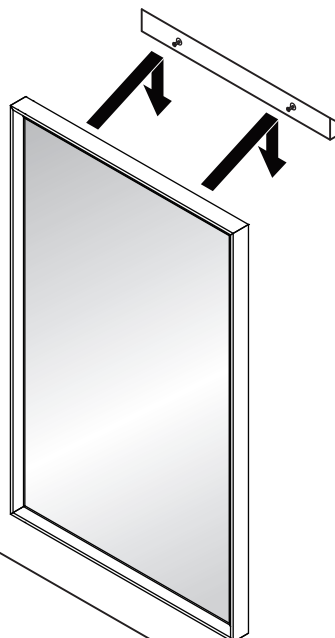


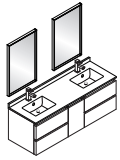
- 2** Press the anchors into the holes.



IMPORTANT: Consult an expert for the proper screws/bolts to use when attaching to various constructions. Screws provided do not attach to all wall construction types. Anchors are not required if brackets are installed in stud.

- 3** Hang mirror on the screws.

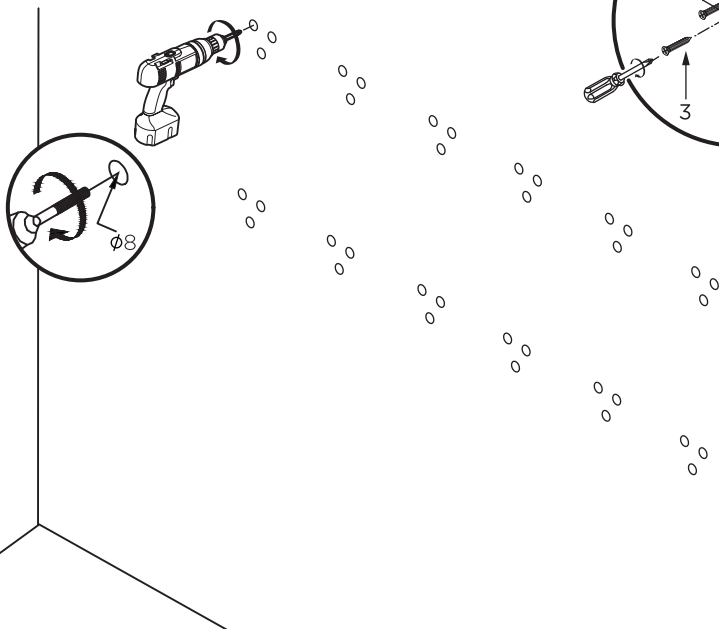




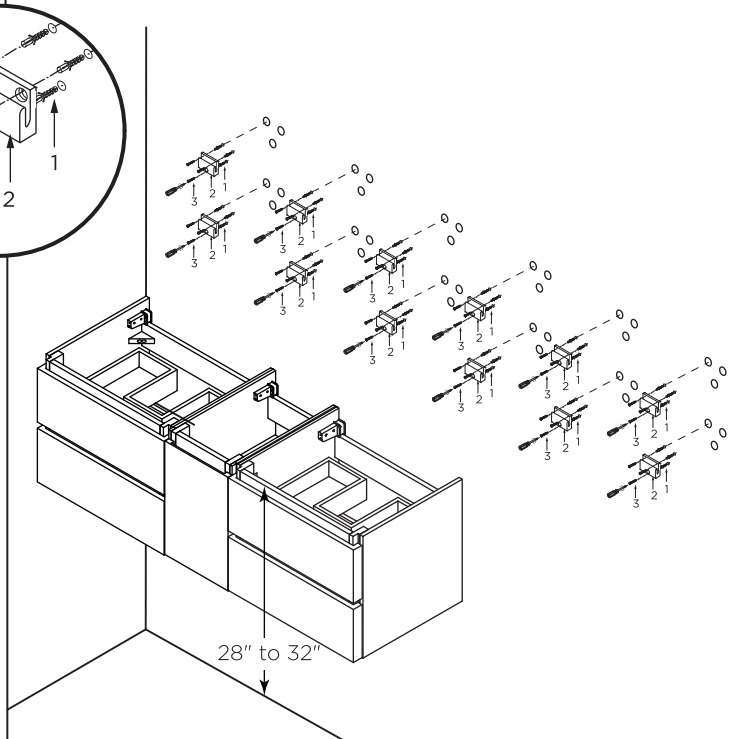
CABINET AND SINK INSTALLATION

- 1** Mark anchor mounting hole locations on wall as shown. Drill holes in the finished wall as required.

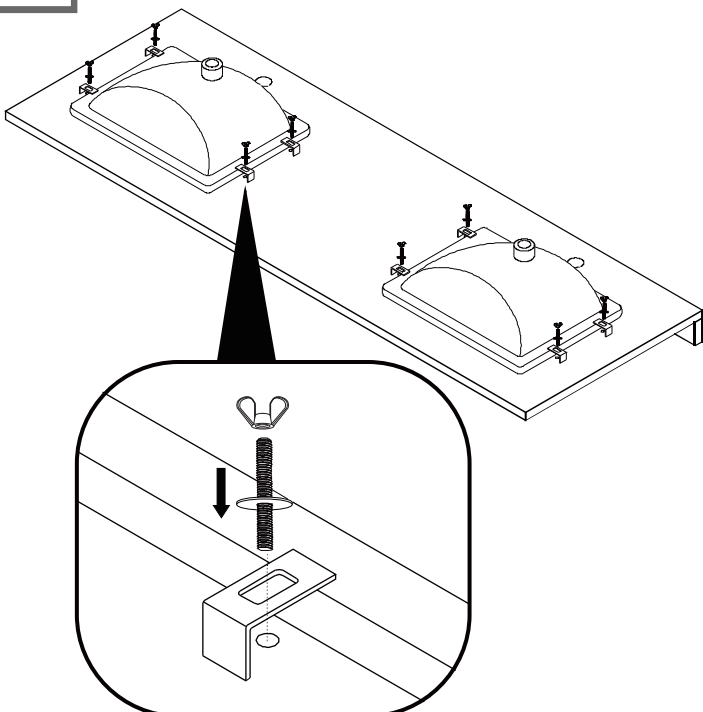
IMPORTANT: Consult an expert for the proper screws/bolts to use when attaching to various constructions, Screws provided do not attach to all wall construction types. Anchors are not required if brackets are installed in stud.



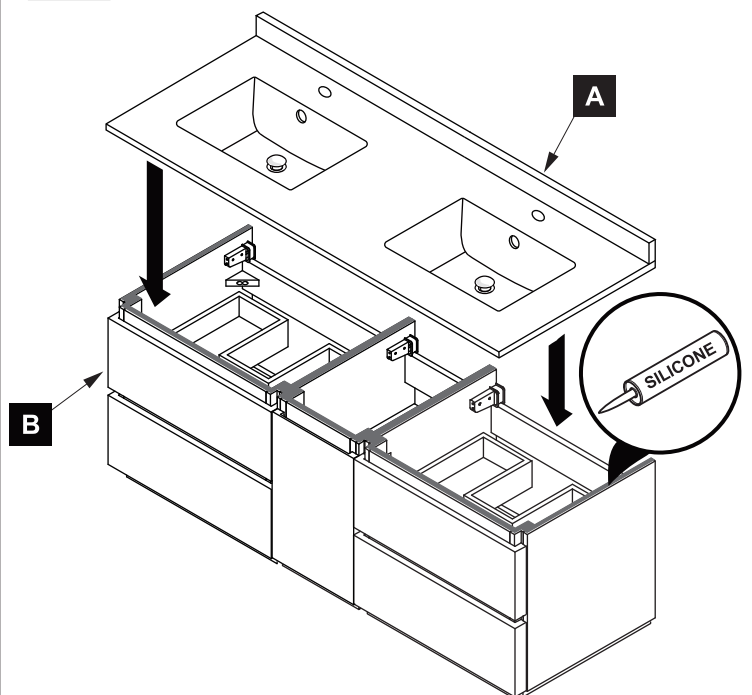
- 2** Attach cabinet to the wall with the screws. Insert the anchor(1) into the holes and secure the wall bracket(2) with the screws(3).

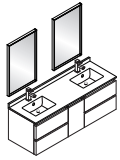


- 3** Install sink.



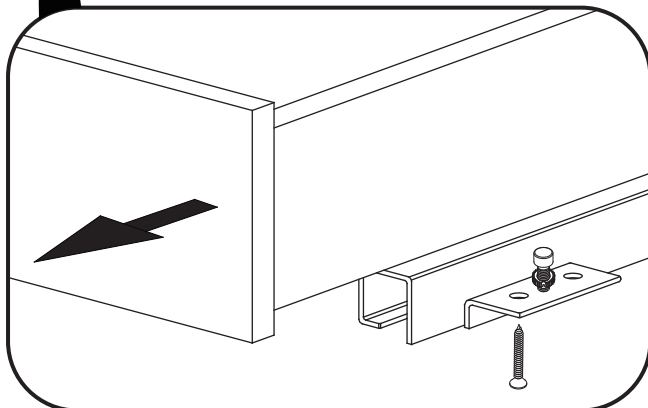
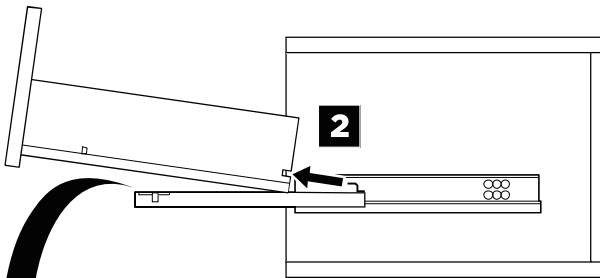
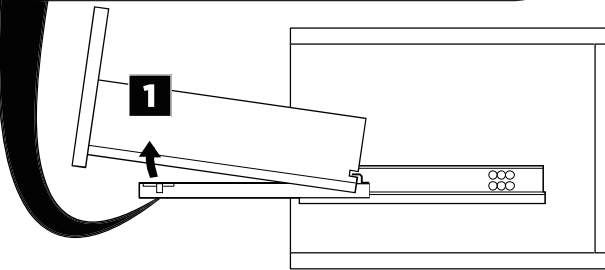
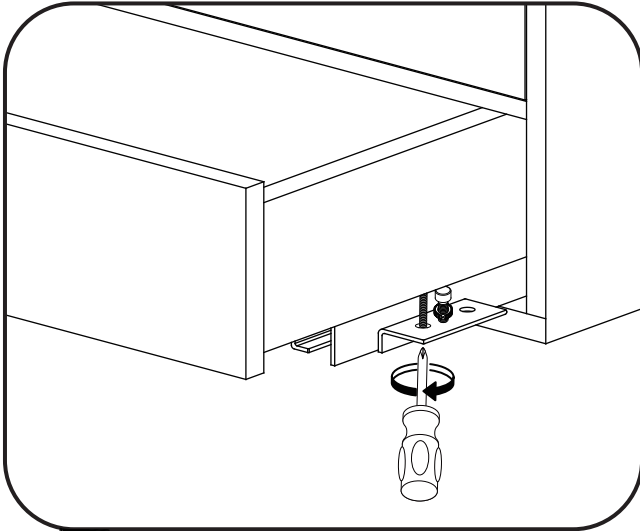
- 4** Apply a bead of silicone on the top of the cabinet (A) and place sink (B) on the cabinet.



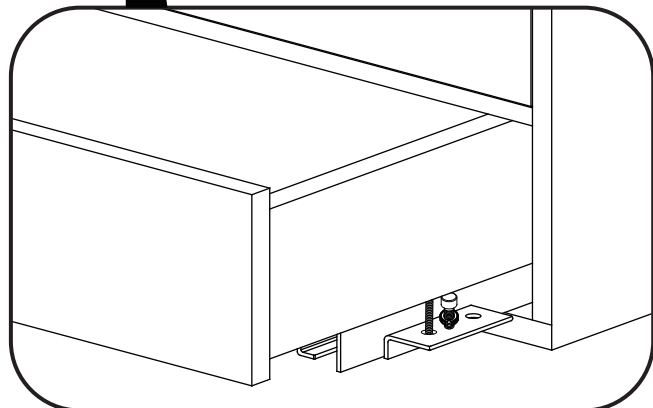
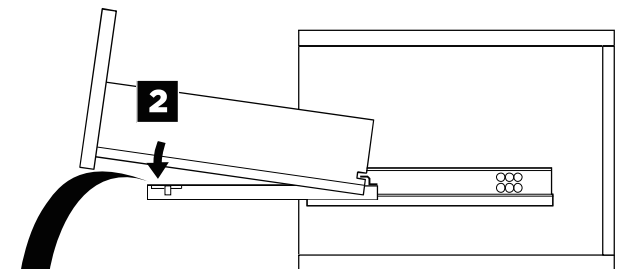
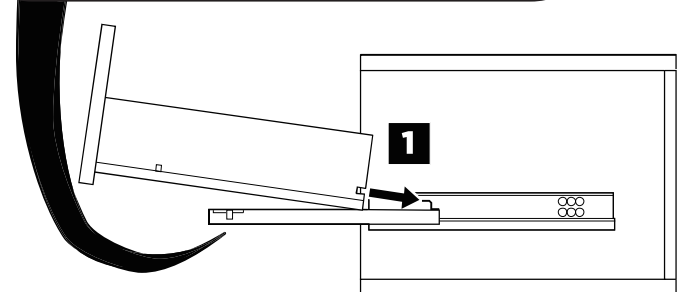
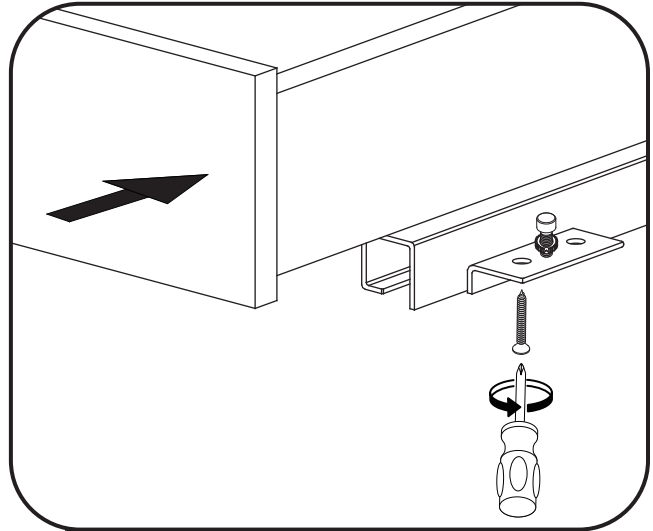


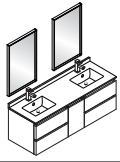
DRAWER REMOVAL & INSTALLATION

REMOVAL



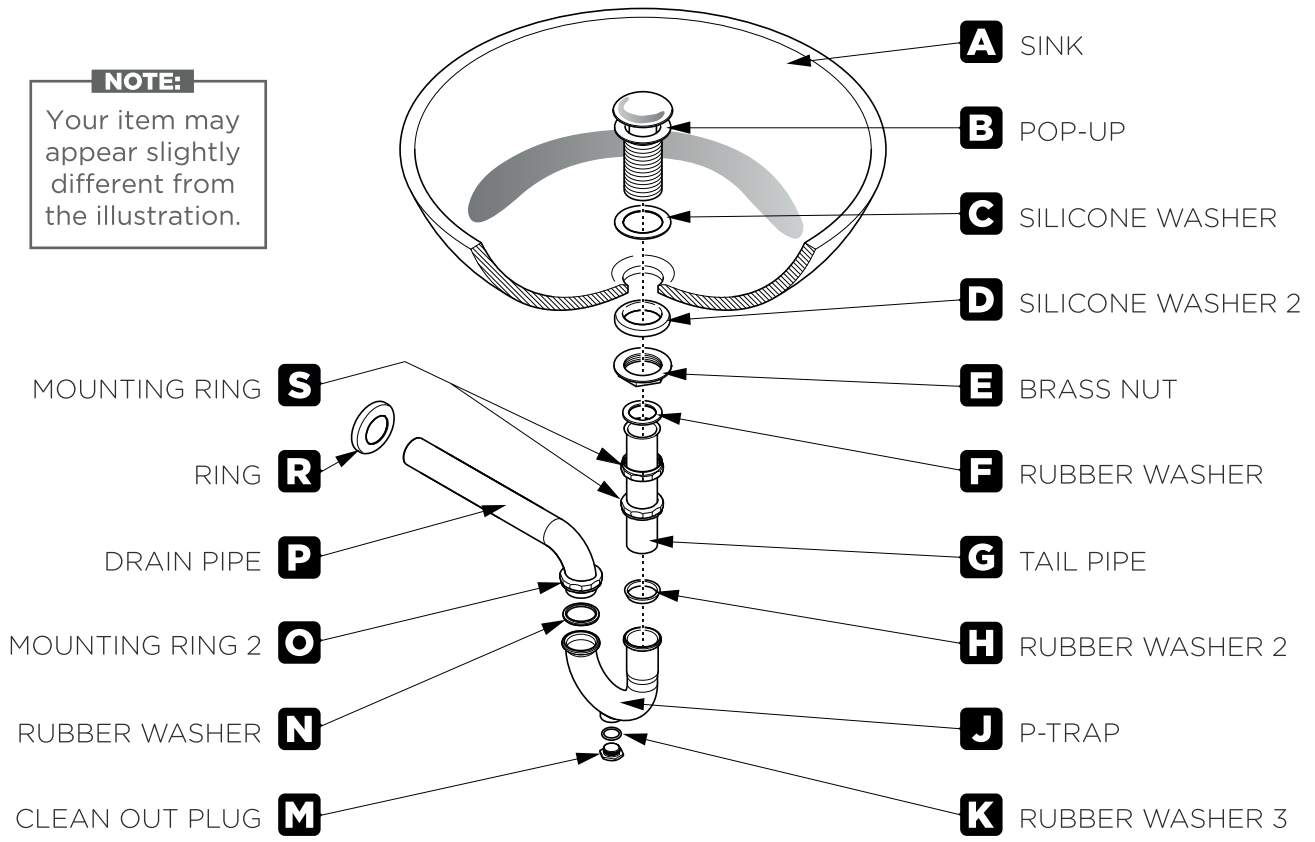
INSTALLATION





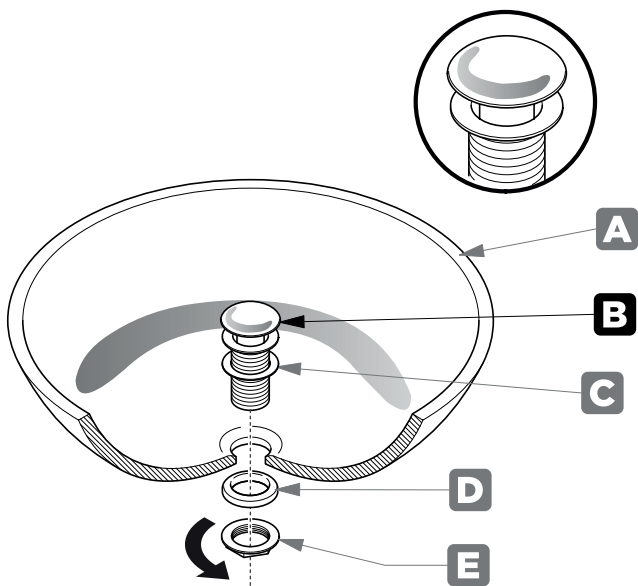
P-TRAP AND POP-UP INSTALLATION INSTRUCTIONS

NOTE:
 Your item may appear slightly different from the illustration.



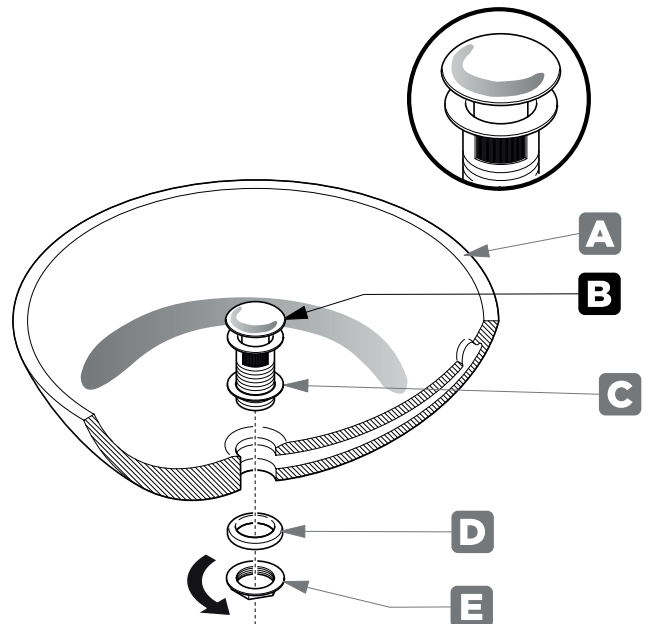
POP-UP INSTALLATION INSTRUCTIONS

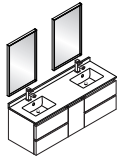
FOR SINKS WITHOUT OVERFLOW



OR

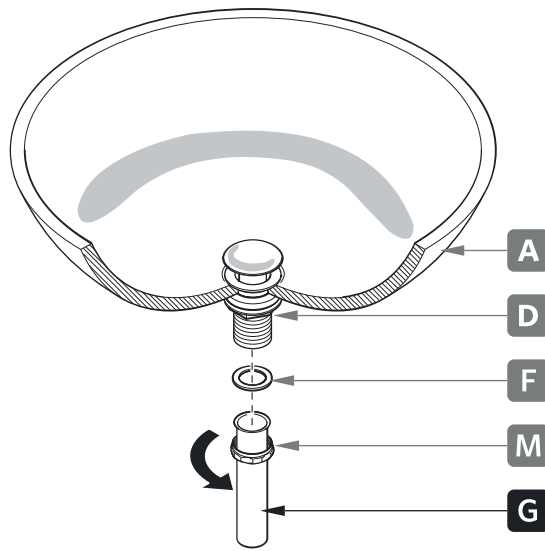
FOR SINKS WITH OVERFLOW





P-TRAP INSTALLATION

1 Install tail pipe (G)



2 Install p-trap (J)

