



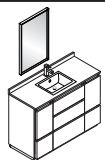
FORMOSA

INSTALLATION GUIDE

FVN31-122412ACA-FC

CONTENTS:

Mirror	FMR3120ACA	PAGE 2
Cabinet	FCB3124ACA	PAGE 3
Sink	FCT2048WH-S-CMB	PAGE 3



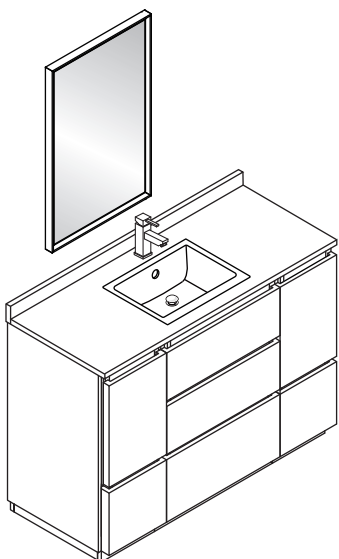
FVN31-122412ACA-FC

FORMOSA

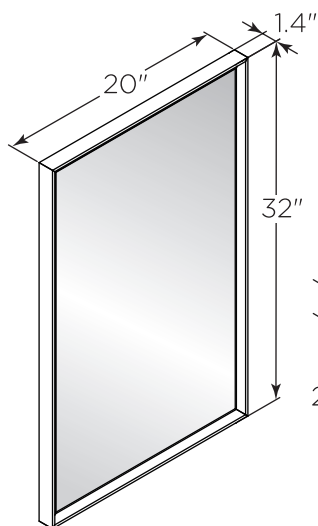
INSTALLATION GUIDE



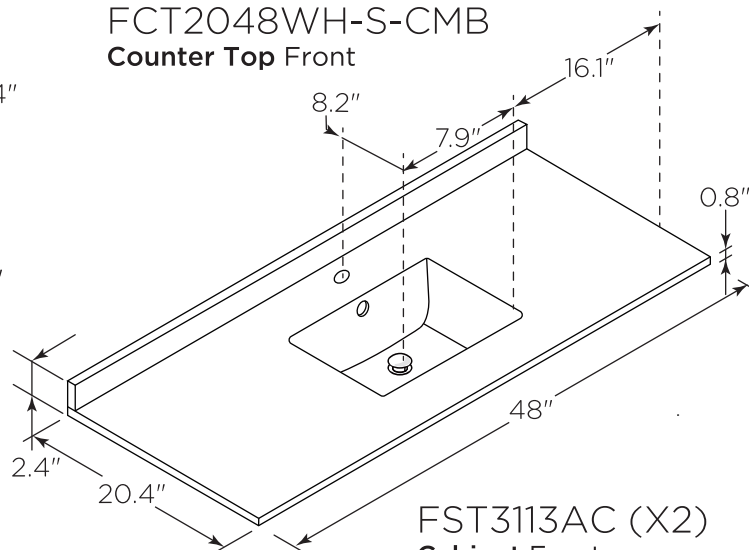
FVN31-122412ACA-FC
Vanity Front



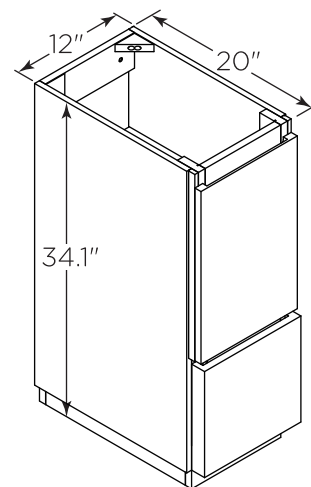
FMR3120ACA
Mirror Front



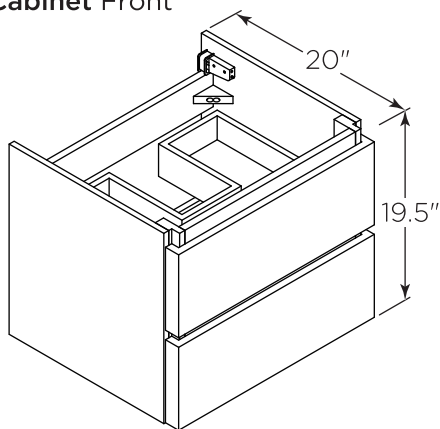
FCT2048WH-S-CMB
Counter Top Front



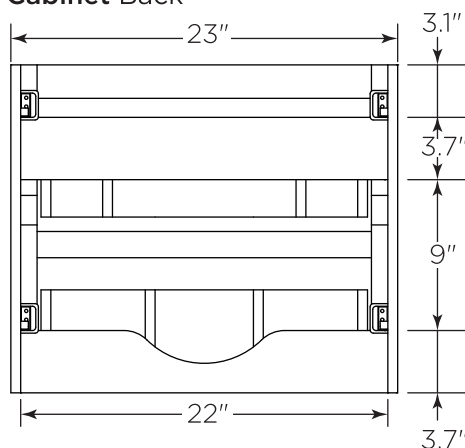
FST3113AC (X2)
Cabinet Front



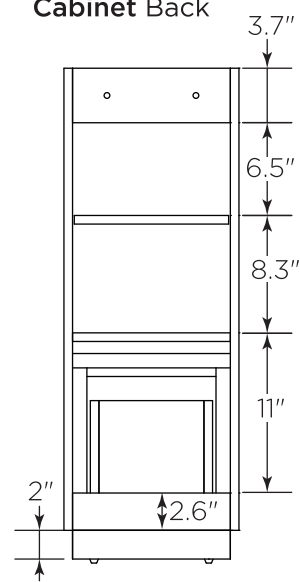
FCB3124ACA
Cabinet Front



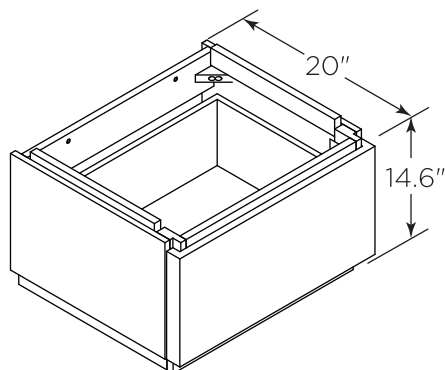
FCB3124ACA
Cabinet Back



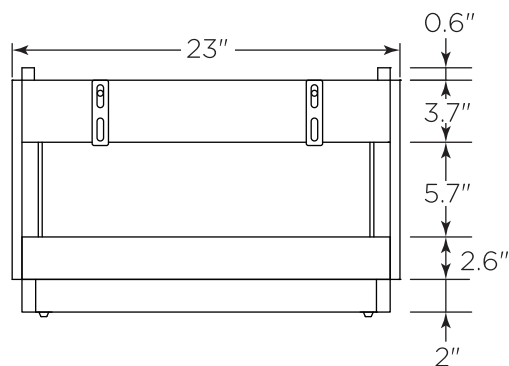
FST3113ACA
Cabinet Back



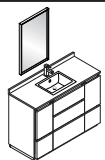
FCB3125ACA
Cabinet Front



FCB3125ACA
Cabinet Back



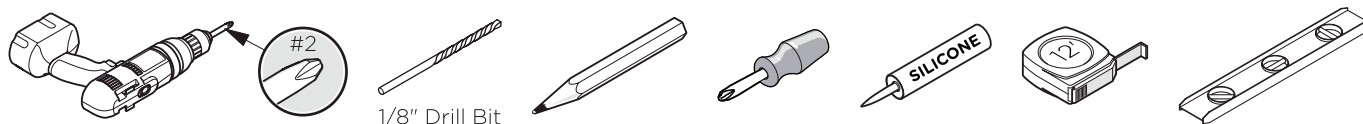
NOTE: All dimensions & specifications are approximate and subject to change without notice.



FVN31-122412ACA-FC FORMOSA INSTALLATION GUIDE

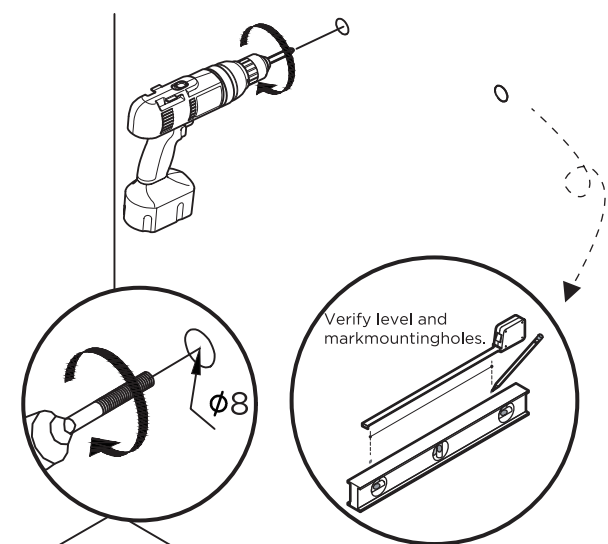


TOOLS FOR ASSEMBLY

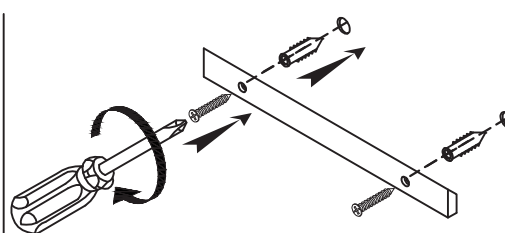


MIRROR INSTALLATION

- 1** Measure distance between the holes and mark it on the wall using a level.

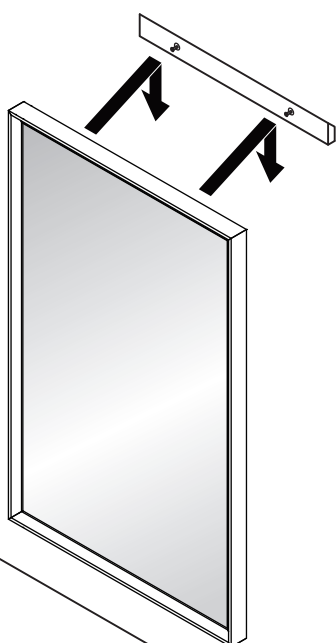


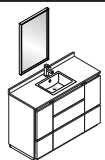
- 2** Press the anchors into the holes.



IMPORTANT: Consult an expert for the proper screws/bolts to use when attaching to various constructions. Screws provided do not attach to all wall construction types. Anchors are not required if brackets are installed in stud.

- 3** Hang mirror on the screws.





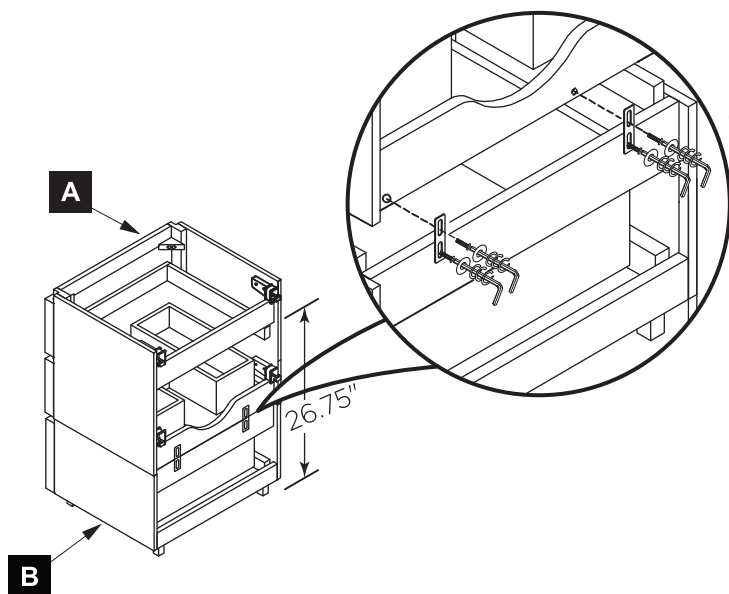
FVN31-122412ACA-FC FORMOSA INSTALLATION GUIDE



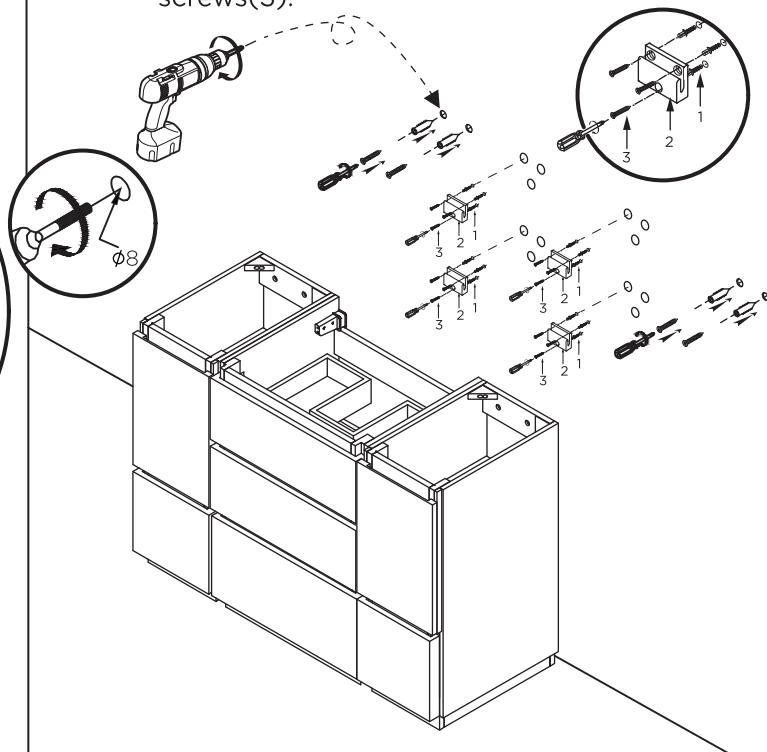
CABINET AND SINK INSTALLATION

1 Connect cabinet (A) to cabinet (B) with iron sheet.

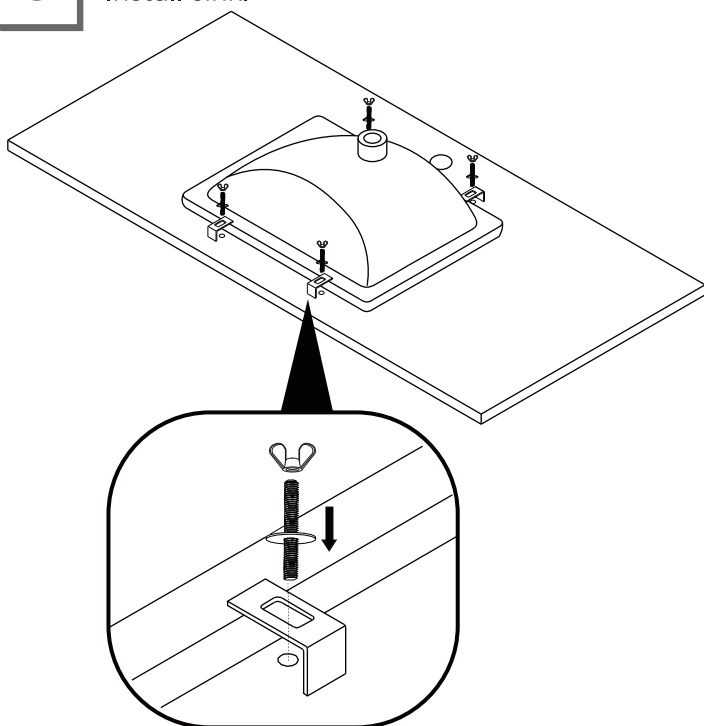
IMPORTANT: Consult an expert for the proper screws/bolts to use when attaching to various constructions, Screws provided do not attach to all wall construction types. Anchors are not required if brackets are installed in stud.



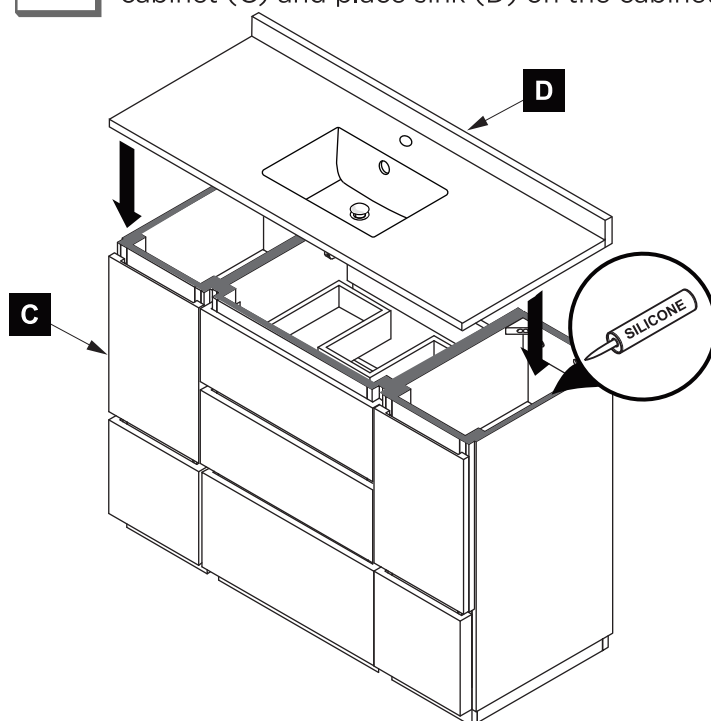
2 Mark anchor mounting hole locations on wall as shown. Drill holes in the finished wall as required. Then insert the anchor(1) into the holes and secure the wall bracket(2) with the screws(3).

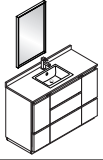


3 Install sink.



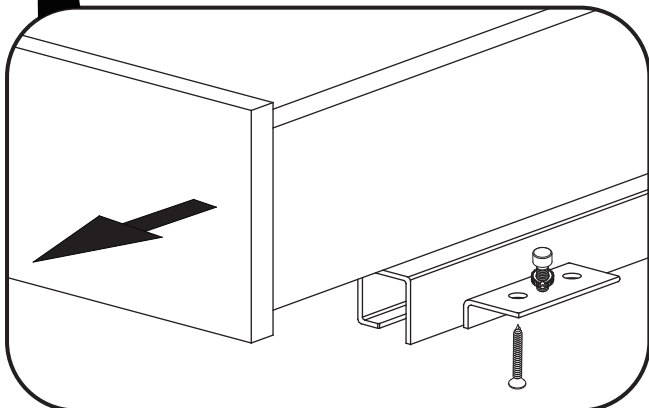
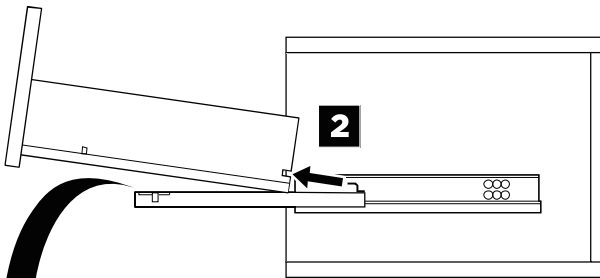
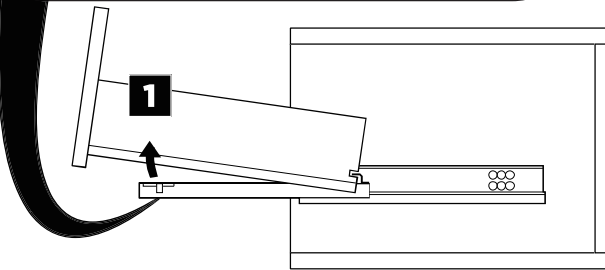
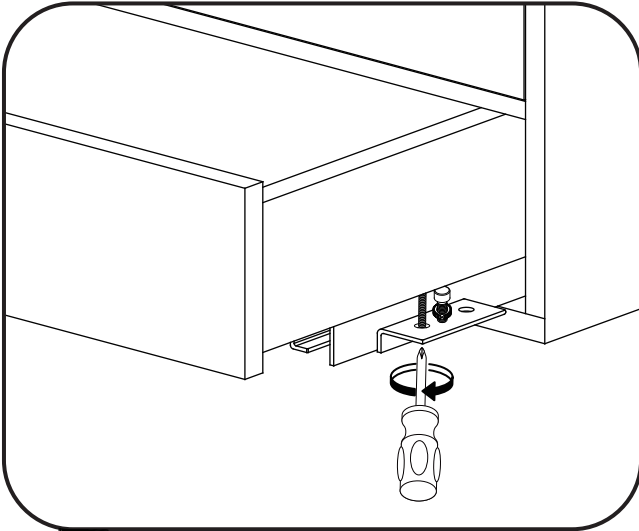
4 Apply a bead of silicone on the top of the cabinet (C) and place sink (D) on the cabinet.



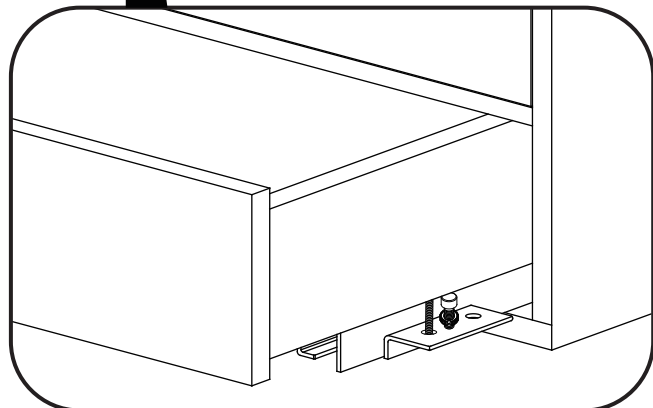
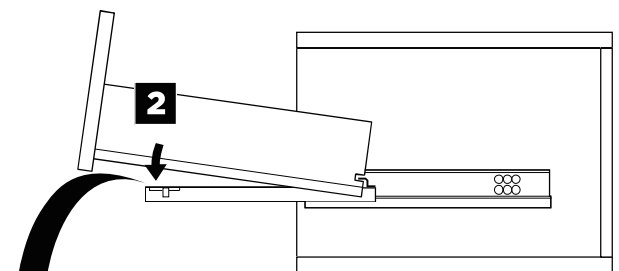
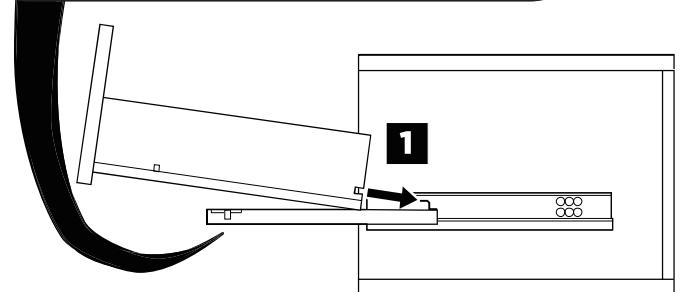
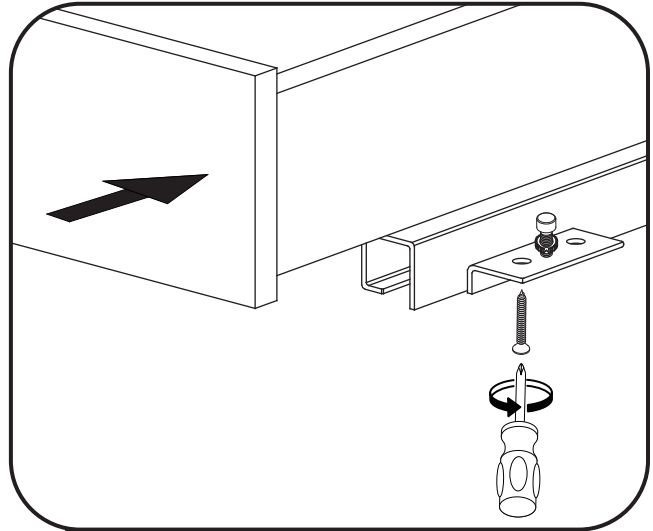


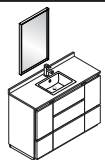
DRAWER REMOVAL & INSTALLATION

REMOVAL



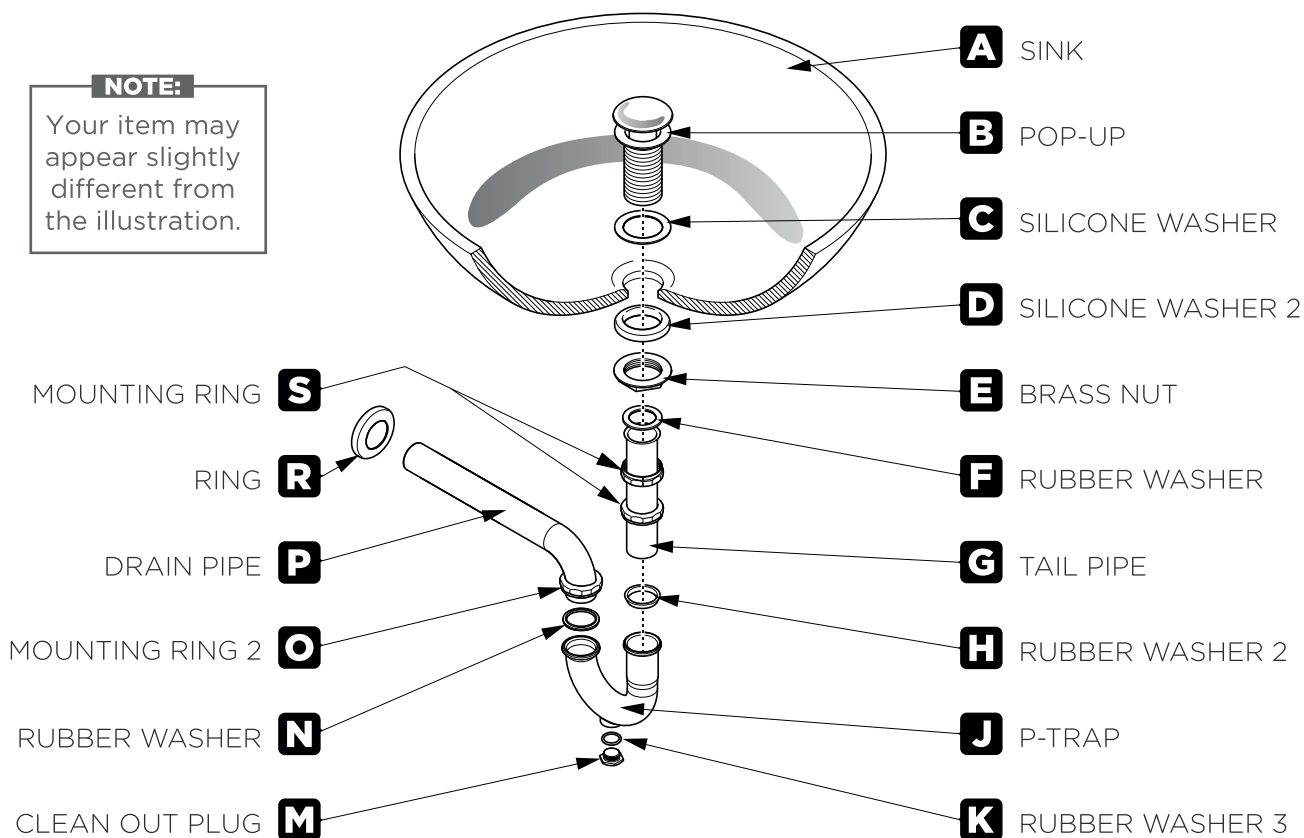
INSTALLATION





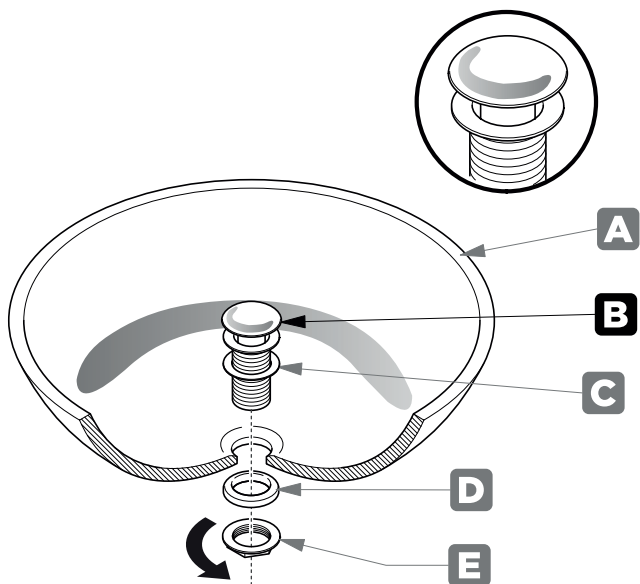
P-TRAP AND POP-UP INSTALLATION INSTRUCTIONS

NOTE:
 Your item may appear slightly different from the illustration.



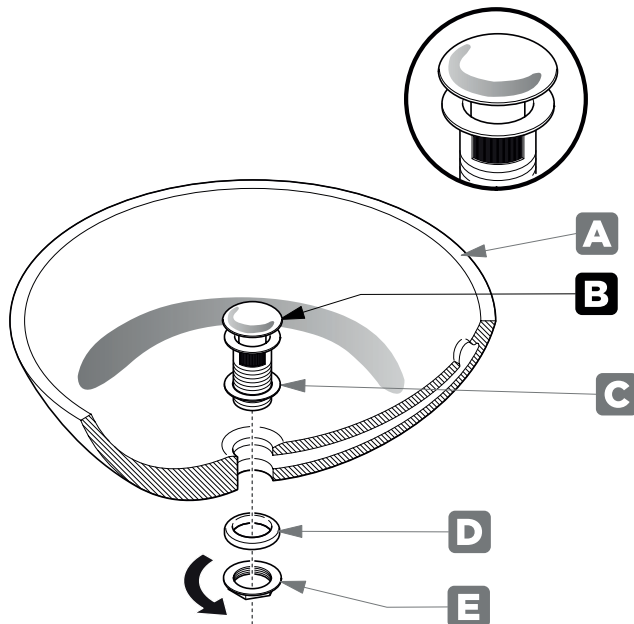
POP-UP INSTALLATION INSTRUCTIONS

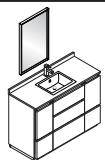
FOR SINKS WITHOUT OVERFLOW



OR

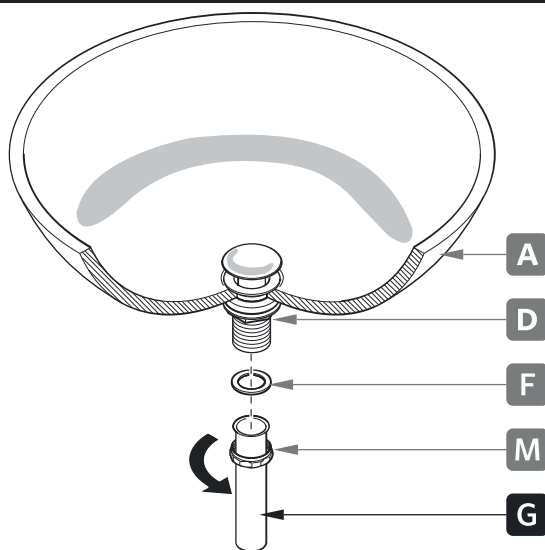
FOR SINKS WITH OVERFLOW





P-TRAP INSTALLATION

1 Install tail pipe (G)



2 Install p-trap (J)

