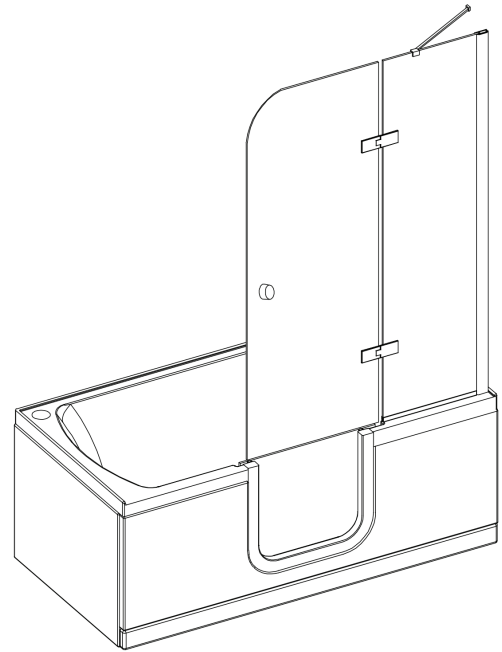


LA3060-L



LA3060-R

Included Features

1. Acrylic Tub Shell:
 - High quality acrylic
 - Excellent color uniformity
 - High Gloss White Finish
2. Stainless Steel Frame with Adjustable Leveling Legs
3. Inward Swing Glass Door
4. 2" Brass Drain with Overflow

Optional Jetting

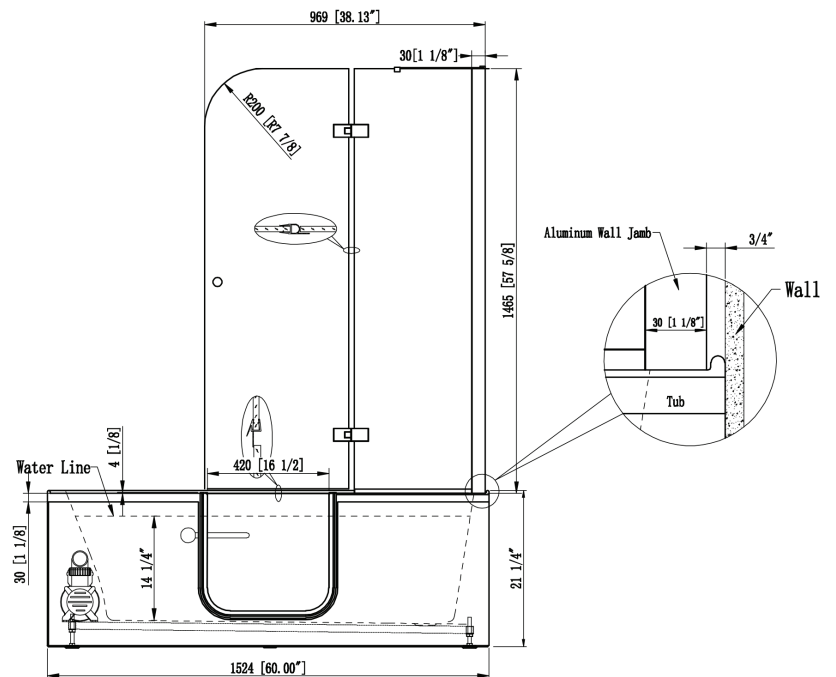
- Hydro Massage System
- 8 Therapeutic Hydro Massage Jets
 - Digital Push Control
 - In-line Water Heater

Air Massage System

- Air Pump
- Push Control On/Off
- 3 Speed & Pulse
- Auto Purge

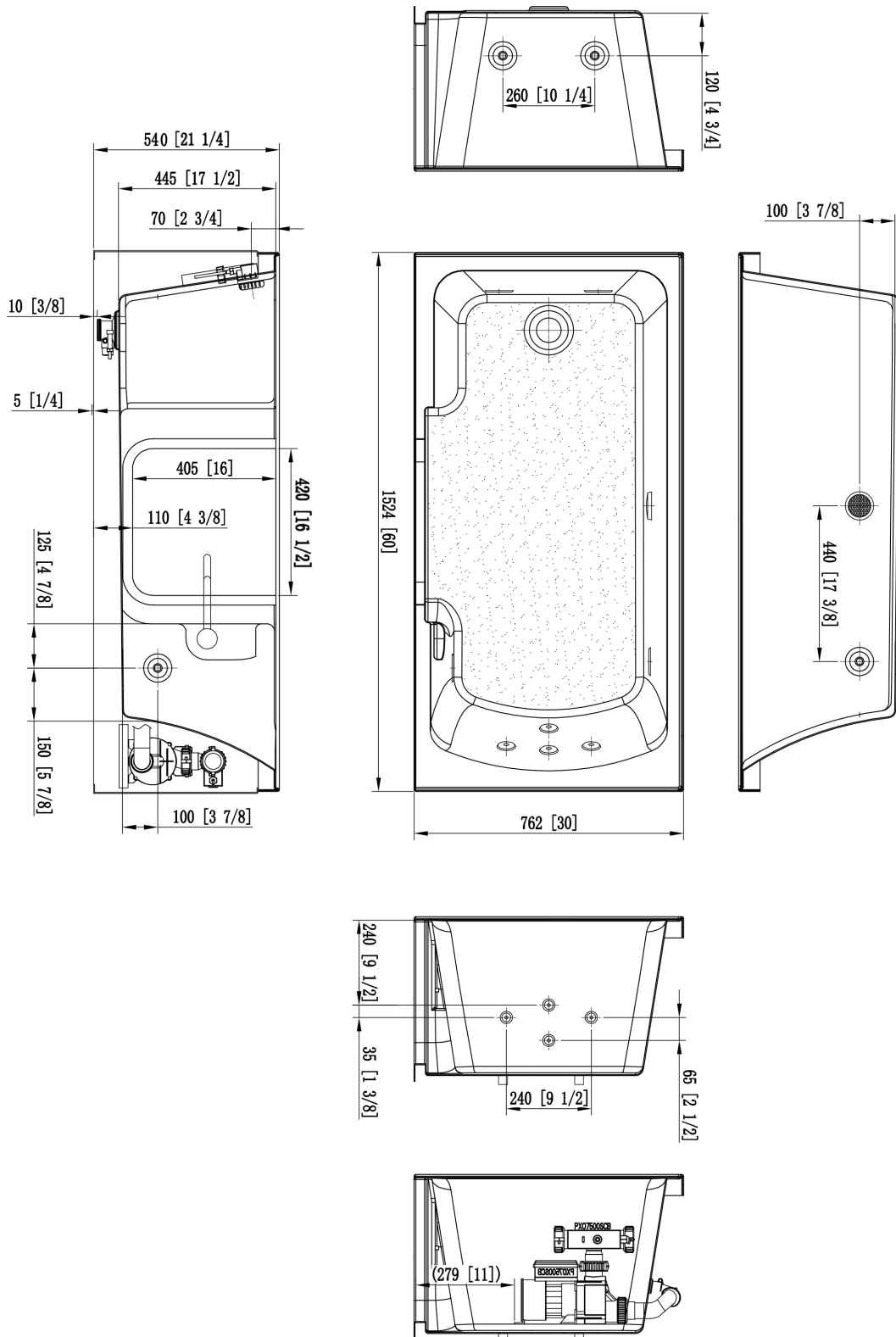
Optional Features

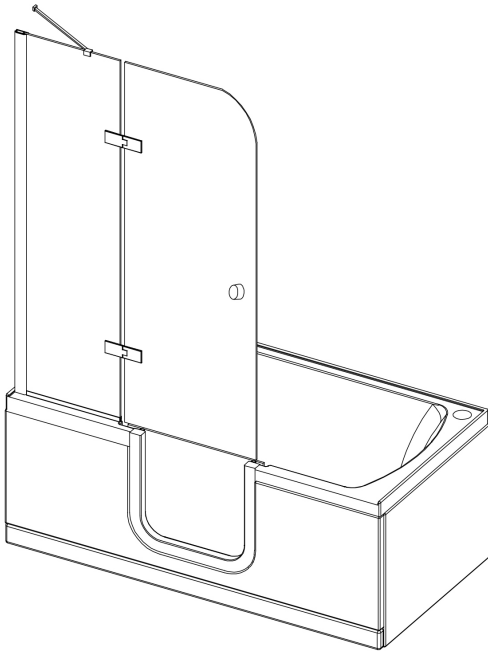
Shower Screen Glass Door



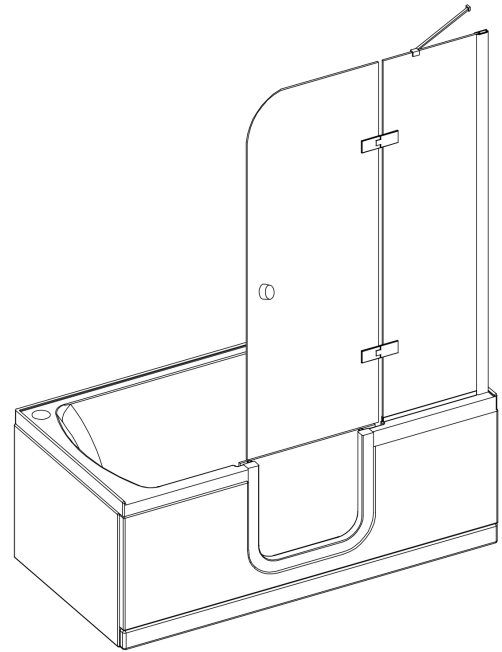
Warranty

Limited Lifetime warranty for shell, frame, door and 5 year parts warranty





LA3060AS-L



LA3060AS-R

Included Features

1. Acrylic Tub Shell:
 - High quality acrylic
 - Excellent color uniformity
 - High Gloss White Finish
2. Stainless Steel Frame with Adjustable Leveling Legs
3. Inward Swing Glass Door
4. Shower Screen Glass Door

Included Jetting

- Air Massage System 4.5AMP 486W
- 20 Therapeutic Air Massage Jets
 - Variable 3-Speed Control
 - Push Control
 - Autopurge

Warranty

5 year parts warranty
(please visit www.ellasbubbles.com
for more detailed information)

