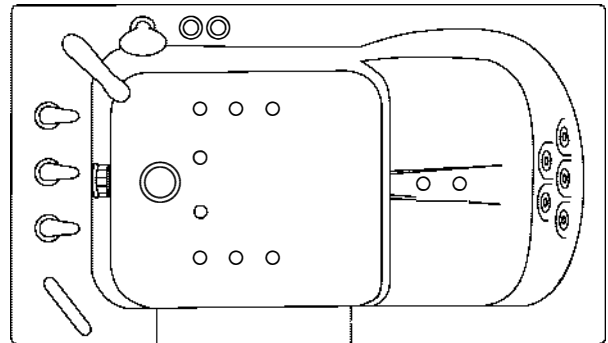


Actual Size: 29.5x52x39.5
Seat Width: 21 inches
Shipping Size: 32x54x49
Shipping Weight: 341 lbs.
Net Weight: 214 lbs.
Water Capacity: 75 gal.
Occupied: 35-55 gal.
Drainage Time: +/- 80 sec at ideal home plumbing conditions (occupied)



Included Features

1. Acrylic Tub Shell:
 - Gloss White Finish
 - Fiberglass Gelcoat Reinforced
2. Stainless Steel Frame with Adjustable Leveling Legs
3. Inward swing acrylic S-shape door
4. Two (2) front and one (1) end reversible, removable access panel
5. Stainless steel chrome finish U-shape deck & wall mount grab bar
6. Extension panel, filler for 60" alcove installations
7. Stainless Steel Brushed Finish Towel Bar

Floor Drains

1. One (1) 2" PVC Drain and one (1) overflow and emergency pull-up chain

Jetting System

1. Hydro Massage System
 - Hydro Massage Pump 8.1AMP 900W
 - Hydro massage intensity dial air control
 - In-line water heater 9AMP 1000W
 - 15 jets
 - Push control
2. Air Massage System
 - Air Massage Pump 4.5AMP 500W
 - 3 Speed Pump
 - Autopurge (Activates 20 minutes after pump shutdown)
 - 15 jets
 - Push control

Tub Packages

1. Dual Jetting (Air + Hydro)
2. Soaking (No Jetting Option)

Optional Features

1. Heated Seat and Backrest 4AMP 470W

Faucet Options

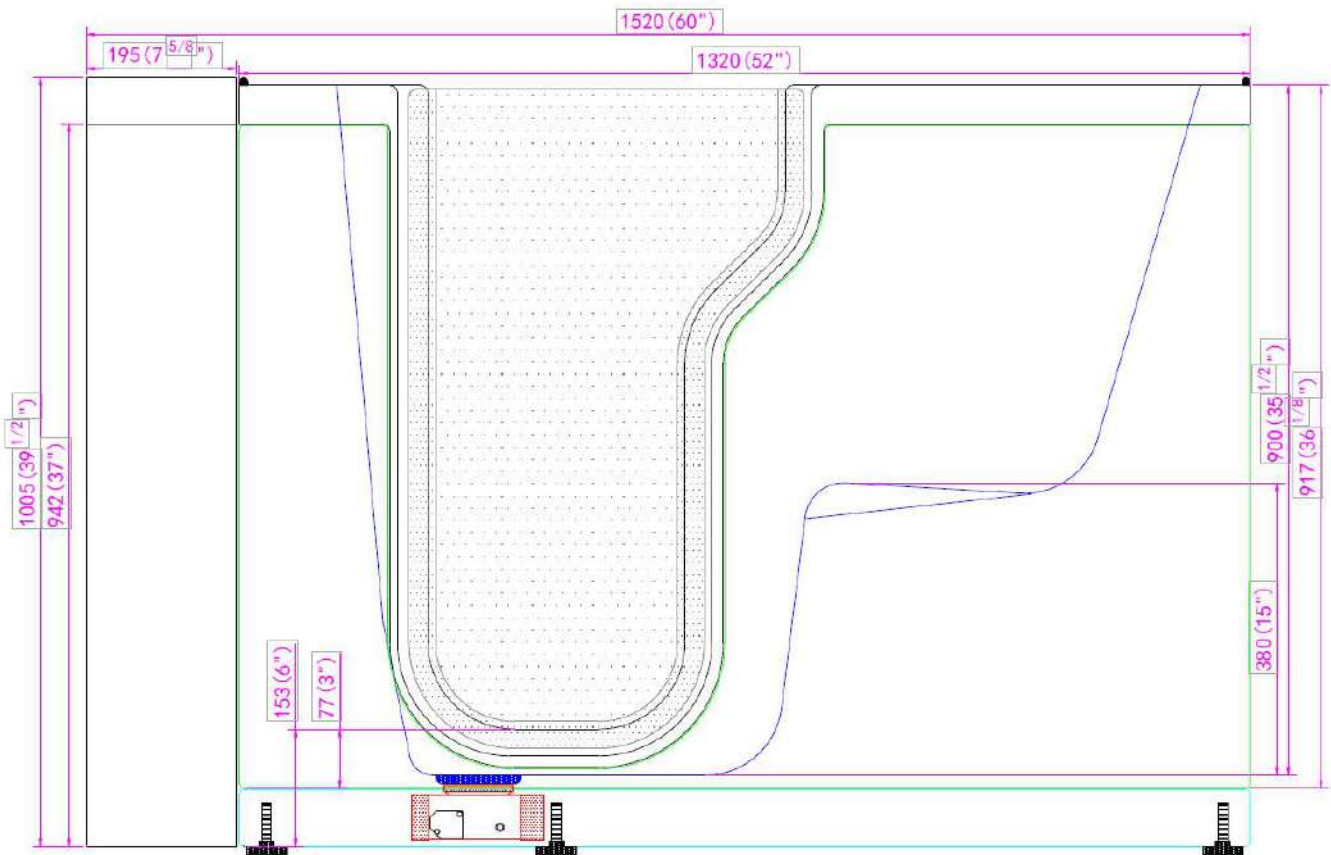
1. Five-Piece Fast Fill Faucet Set
 - Up to 18 GPM @ 60 PSI at ideal in home plumbing conditions
 - Two (2) 5' Supply lines with 3/4" connectors
 - Pull out, hand held, chrome plated hand shower with 5 ft. retractable stainless steel braided hose
2. Two-Piece Fast Fill Faucet Set
 - Up to 16 GPM @ 60 PSI at ideal in home plumbing conditions
 - Two (2) 5' Supply lines with 3/4" connectors
 - Pull out, hand held, chrome plated hand shower with 5

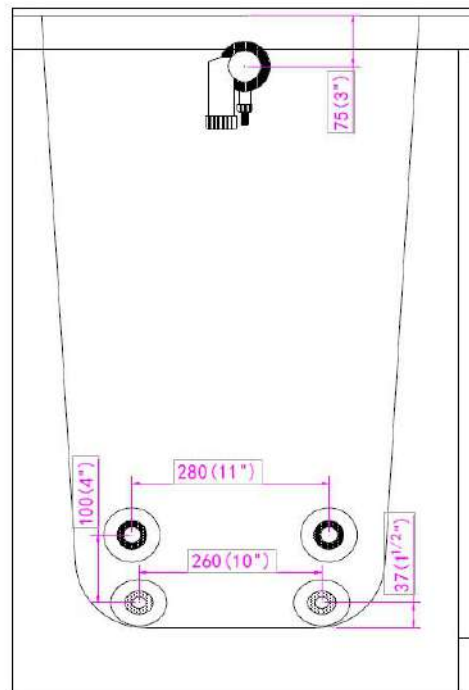
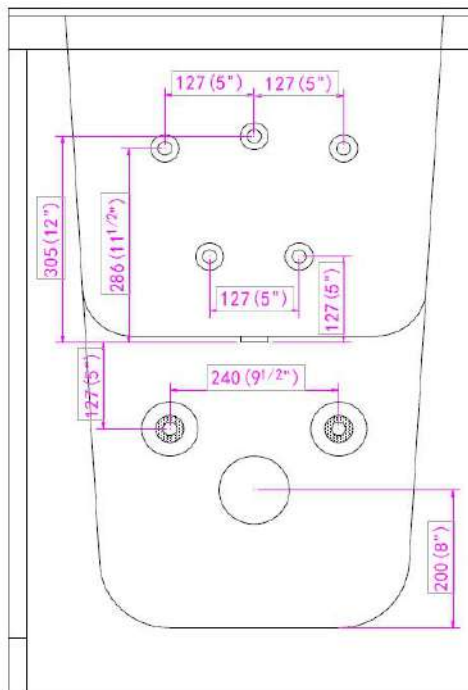
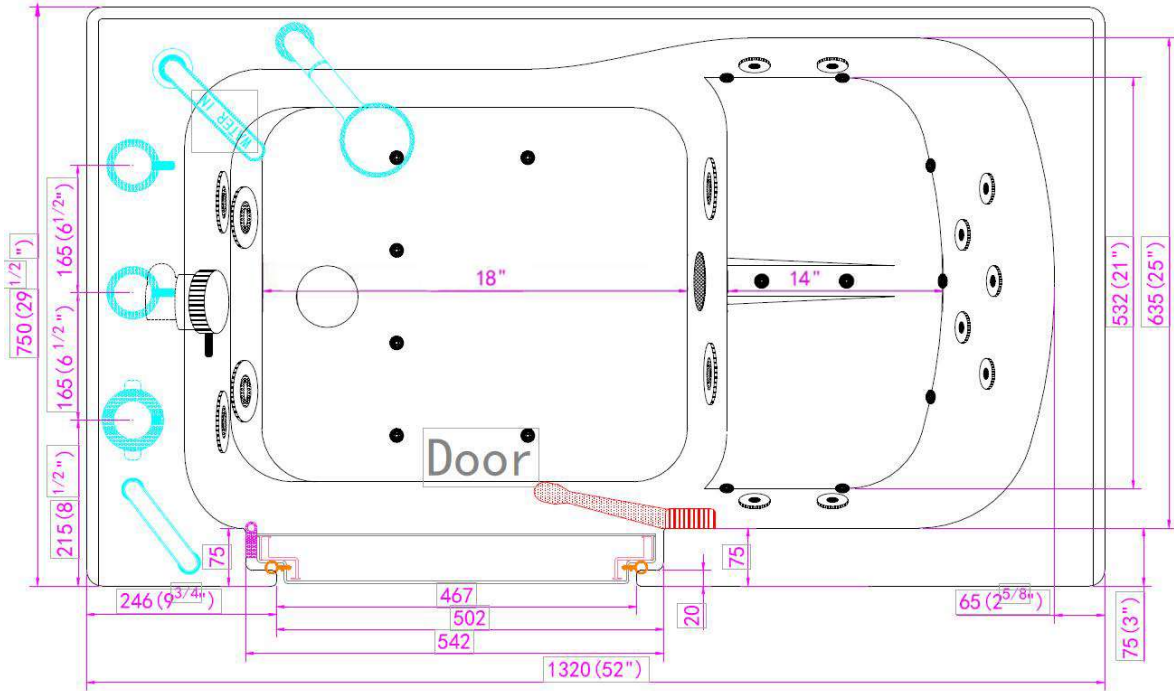
Electrical Requirements:

Two (2) dedicated 120V electrical line with a 15AMP GFCI standard three prong outlet is required

Warranty

- Lifetime limited* warranty on shell, frame, door and parts to original purchaser
- Labor or installation is not covered – please refer to Ella warranty certificate
- Non-Ella brand faucets covered under manufacturers original warranty





DESCRIPTION

- Spout - brass chrome finish
- Diverter 3/4" - brass chrome finish
- Hot and cold 3/4" valve - brass chrome finish
- Two (2) water supply lines with 3/4" connectors - 5' long, stainless steel braided
- Handheld shower mixer - PVC chrome finish
- Pull out hand mixer hose - stainless steel braided in chrome finish

Flow

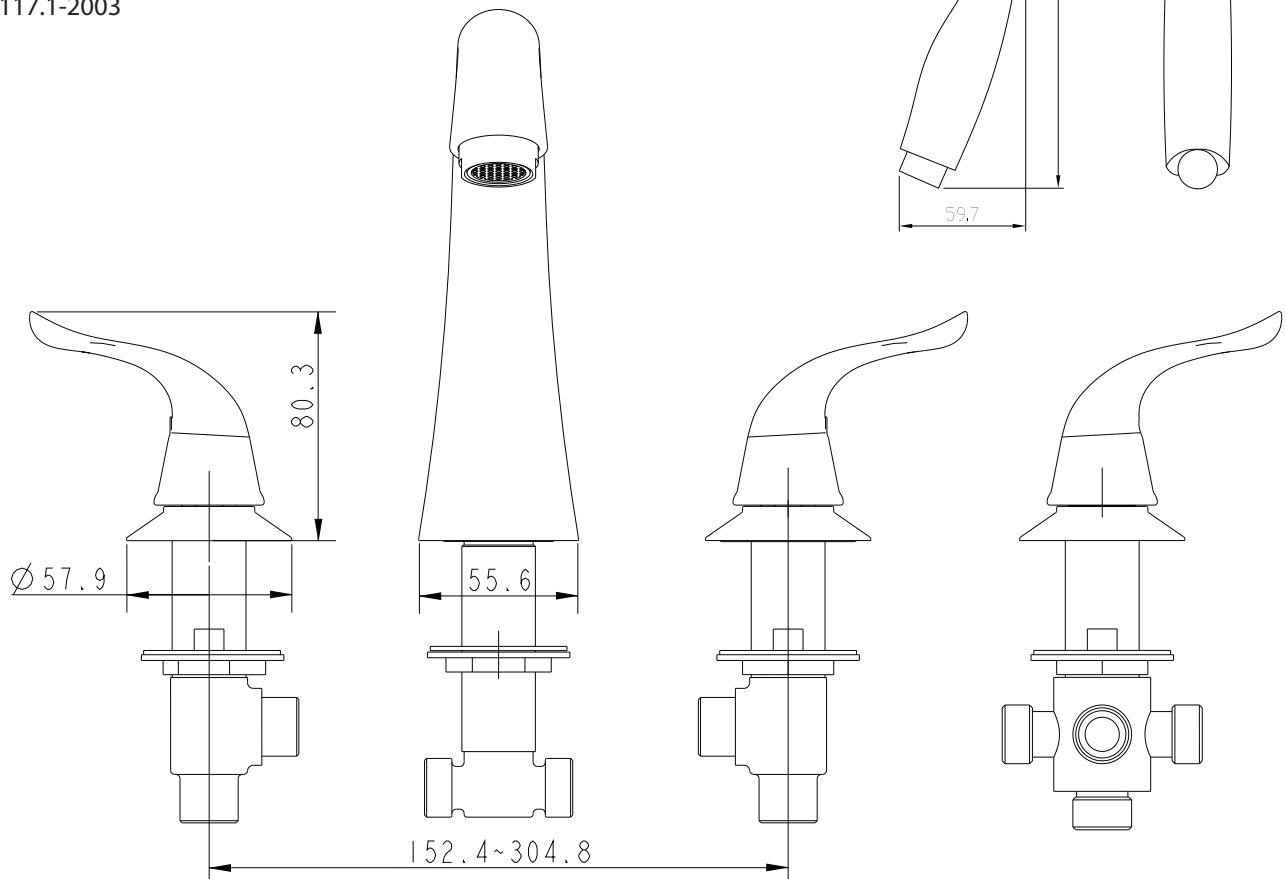
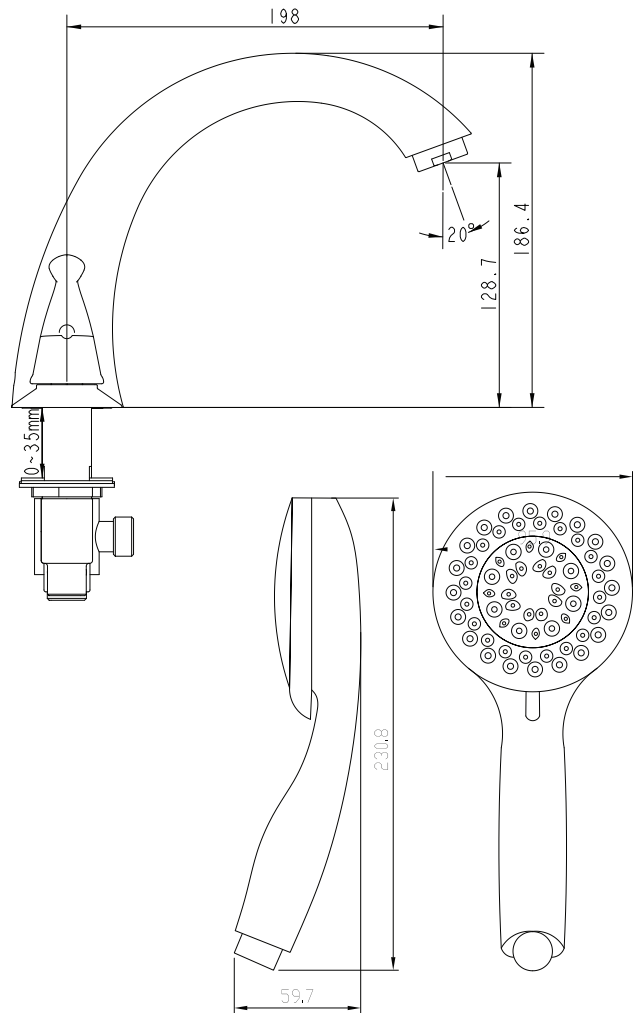
- Faucet - up to 18GPM
- Handheld shower mixer - up to 2GPM

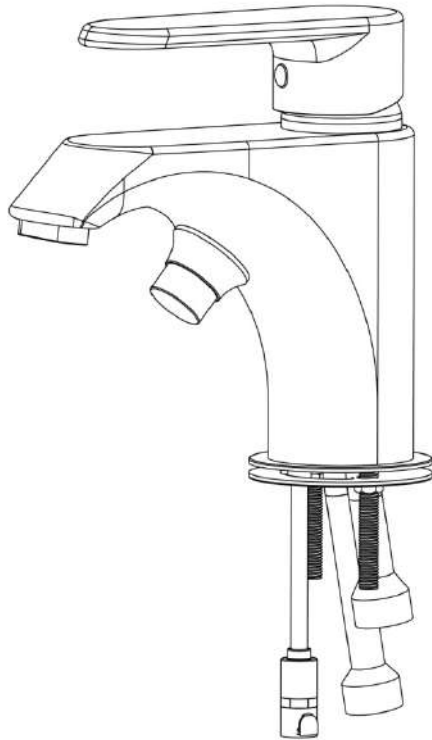
Cartridge

- 40mm and 3/4" outlet high flow cartridge design
- Nonmetallic, nonferrous and stainless-steel material

Standards

Certified to meet
ASME A112.18.1-2012/CSA B125.1-12 ICC/
ANSI A117.1-2003





DESCRIPTION

- Spout with diverter – brass chrome finish
- Single lever high flow valve - brass chrome finish
- Includes 5 option adjustable hand shower mixer - PVC chrome finish
- Pull out hand mixer hose stainless steel braided in chrome finish
- Two (2) water supply lines with 3/4" IPS connectors, 5' long - stainless steel braided

G.W: 7.75 kg / 17 lbs.

NOTE: THIS FAUCET IS DESIGNED TO BE INSTALLED THRU:

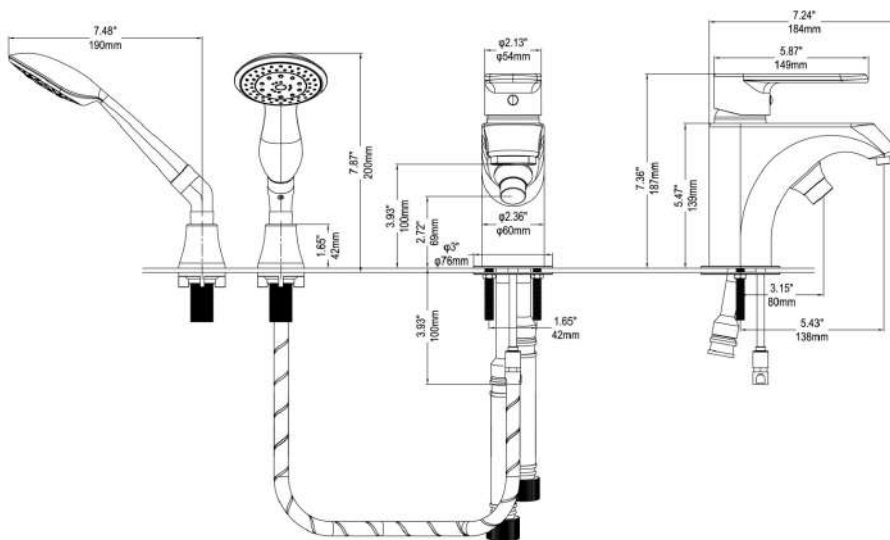
- 2-1/2" DIA. HOLE FOR FAUCET
- 1/3" DIA. HOLE FOR MOUNTING RODS
- 7/8" DIA. HOLE FOR HAND SHOWER

OPERATION

- Pivot action lever style handle
- Temperature controlled through 180° degree arc of handle travel

FLOW

- Faucet – up to 18GPM
- Handheld shower mixer – up to 2GPM



CARTRIDGE

- 40mm high flow cartridge design
- Nonmetallic/nonferrous and stainless steel material

STANDARDS

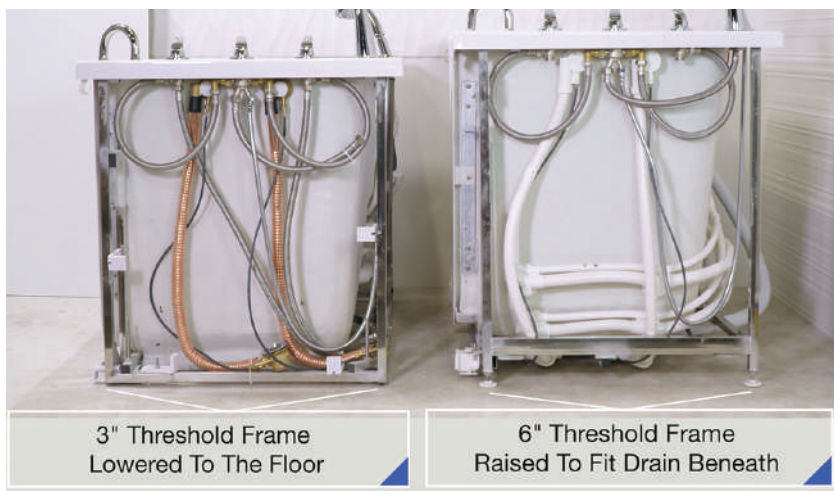
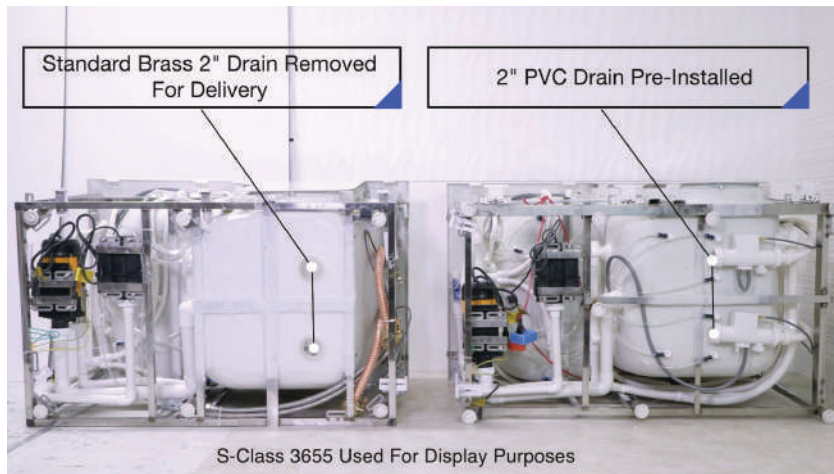
- Third party certified to meet: CSA B-125.1, ASME A112.18.1, ICC 117.1 and all applicable requirements referenced therein
- Certified to ANSI/NSF 61/9
- ADA for lever handle
- IAPMO R&T UPC certified

Comparison of 3" Low Threshold and 6" Standard Threshold S-Class Walk-In Bathtub



Frame is designed to be lowered to the sub-floor (About 1/4") with frame legs screwed all the way in.

Frame is raised to fit the drain between the floor of the tub and the sub-floor.



Certificate of Listing



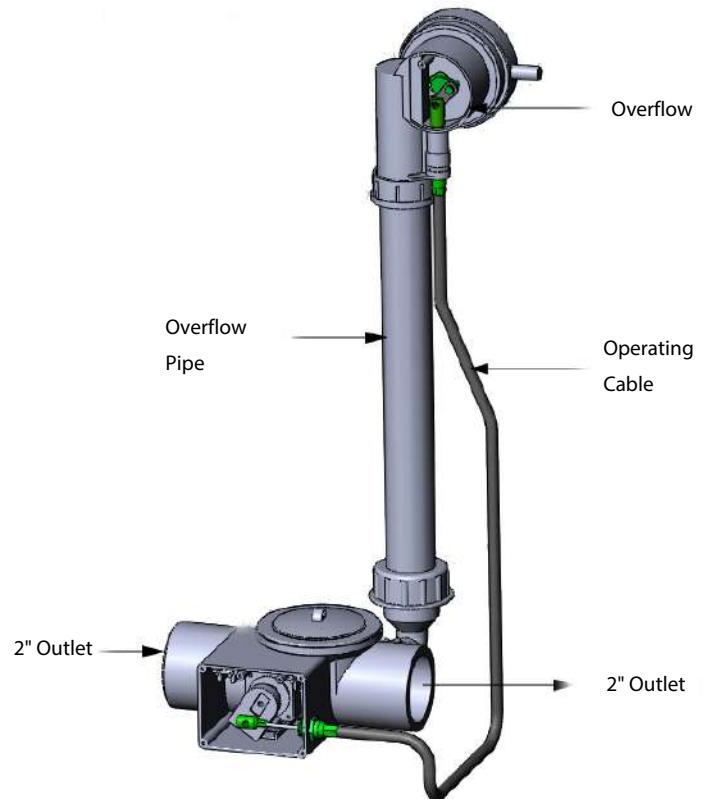
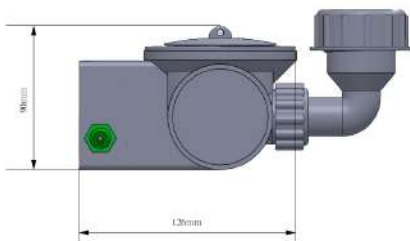
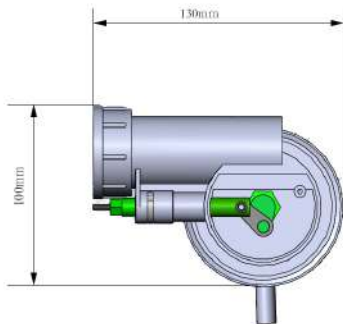
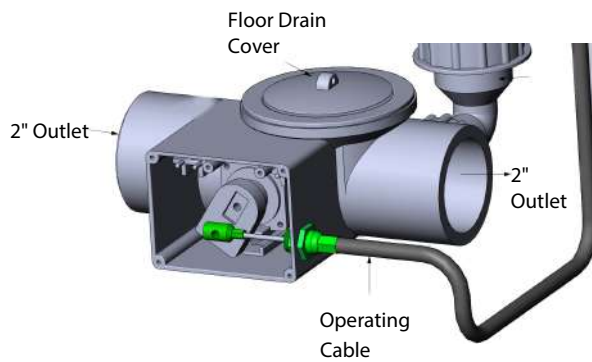
Product: Plumbing Fixture Waste Fittings
Model #: ZW1500

Products are in compliance with the following code(s):

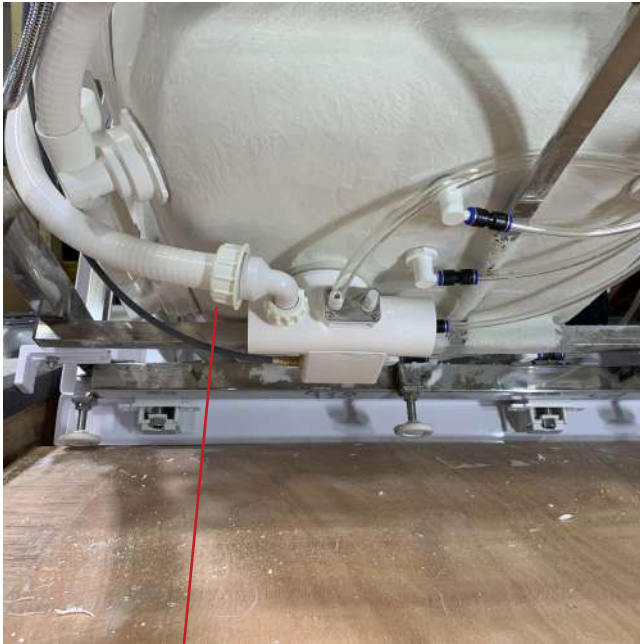
- Uniform Plumbing Code (UPC®)
- National Plumbing Code of Canada

Products are in compliance with the following standard(s):

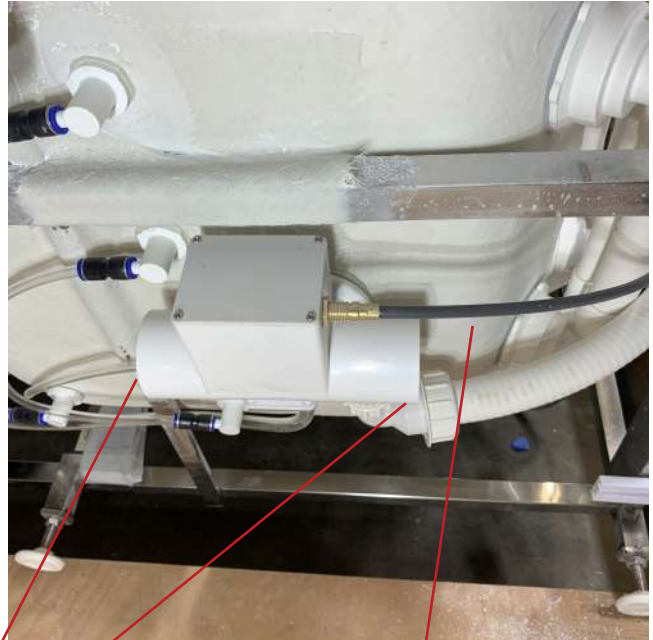
ASME A112.18.2-2015/CSA B125.2-15



Note: Images below reflect S-Class 3052, 3060, 2853 (Single Drain)



Overflow



Two 2" PVC outlets

Stainless steel drain operating cable



2" End Cap

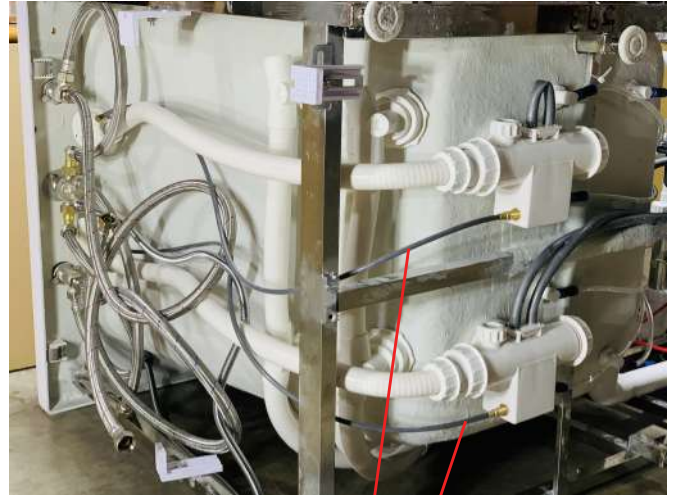


Use both drain ports or cap off one port.

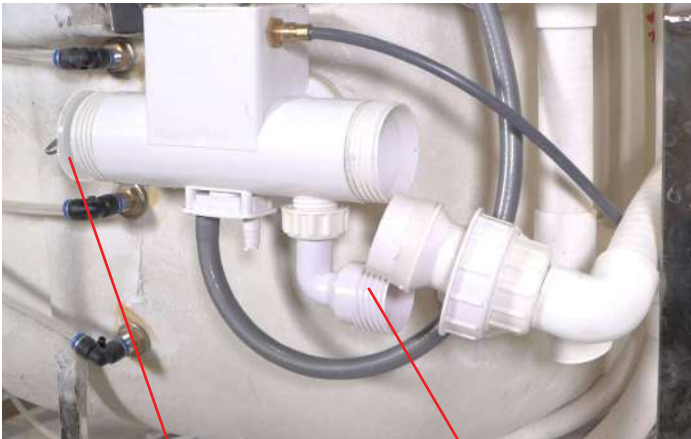
Note: Images below reflect S-Class 3655 (Dual Drain)



2" threaded
PVC outlet

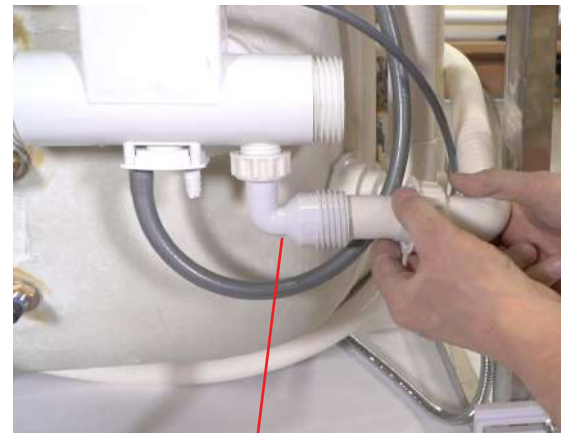


Stainless steel drain
operating cable



Install drain plug to
unused drain port

Relocating overflow to
access second 2" outlet
to allow usage of either
drain port

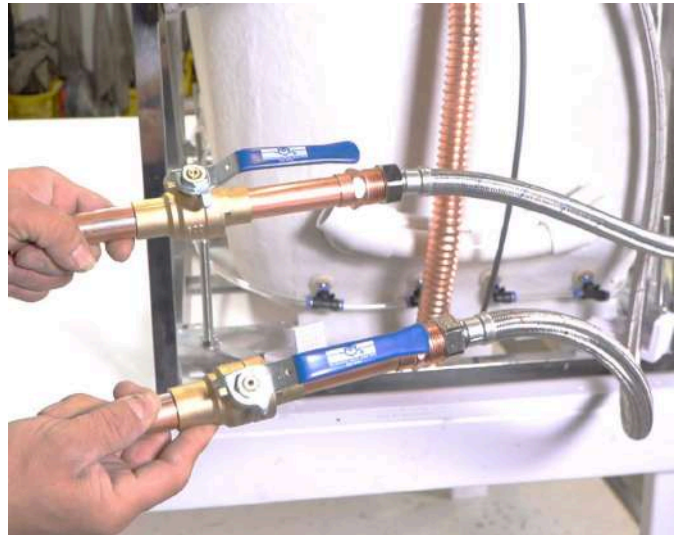


90° PVC elbow overflow
connector included in
parts box.



Two 3/4" connector water supply lines included with Ella Fast Fill Faucets.

Connect to Shut Off Valves
(not included)



All electrical fixtures connect to a dedicated GFCI protected outlet.