

ella

by ella's bubbles

ULTRA ACRYLIC WALK IN BATHTUB **OWNERS MANUAL**

Customer Support #: 800 480 6850

Email: info@ellasbubbles.com



Unpacking and Inspecting 1

Warnings and Labels 2-5

Moving your Walk-In Bath 6

Floor Installation 7-8

Drains 9

Safety 10-11

Required Steps Prior to Installation 12

Door and Frame Adjustments 13-15

Service Access and Ventilation 16

Installing Extension Kits 17

Finishing Installation 18

Operating Instructions 19

Cleaning and Maintenance 20-21

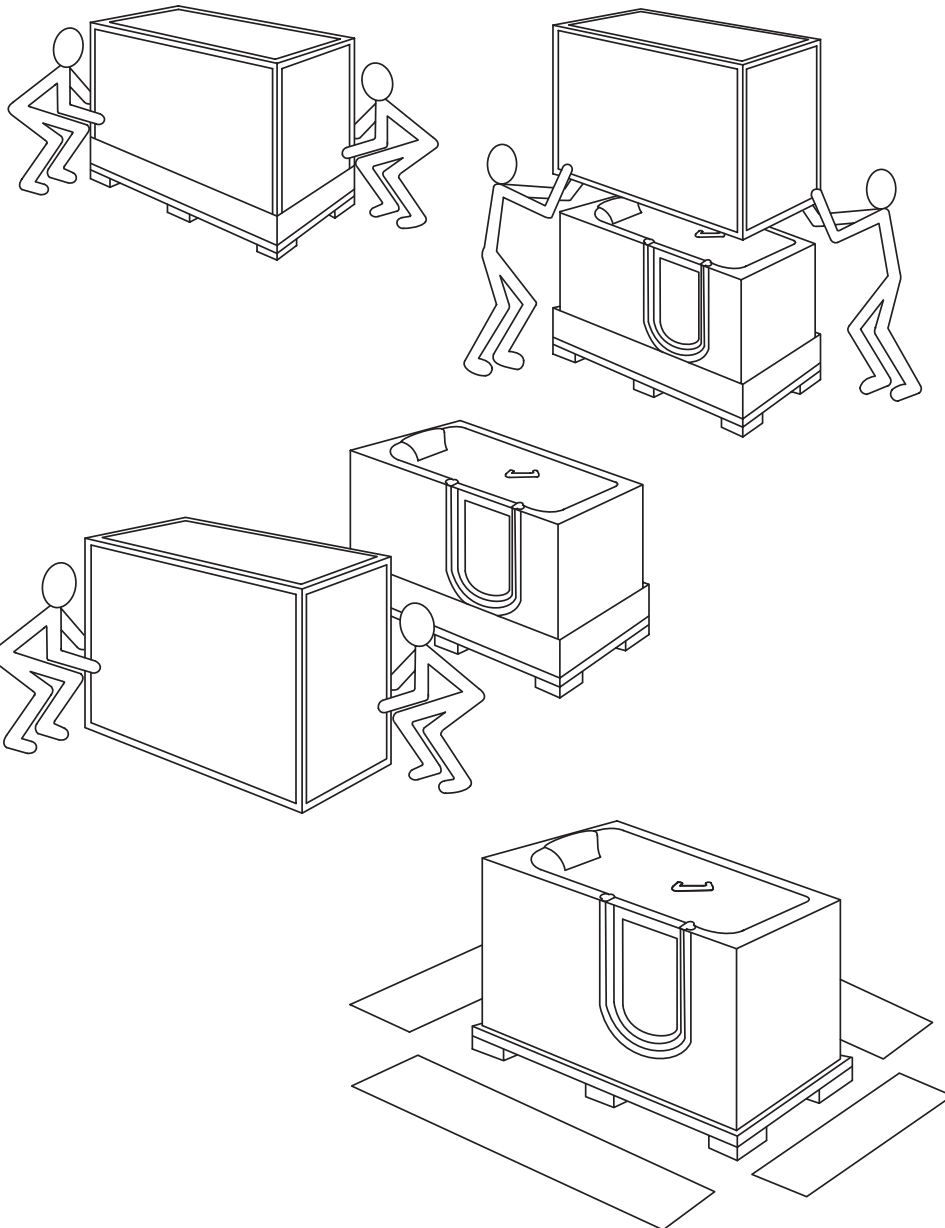
Heated Seat and Backrest 22-23

IMPORTANT

Warranty Activation Form **MUST** be completed for both the Owner and Installer to validate the warranty.

Failure to complete both pages (p.18 and p.19) will void the warranty on this bathtub.

Completed Warranty Activation Forms can be emailed to warranty@ellasbubbles.com, faxed to 312.666.3551, OR mailed to 2101 S. Carpenter St., Chicago, IL 60608



Inspect the carton for damage: Take a picture if possible.

CAREFULLY RECORD ALL PERCEIVED DAMAGE

DO NOT LIFT THE TUB BY THE PLUMBING. Doing so can result in leaks, for which the installer is responsible. All Walk-In Tubs are water tested before they leave our factory and the bath tub you have purchased has passed inspection.

Inspect the plumbing for any fittings that may have loosened in transit.

You must follow all the instructions in this manual.

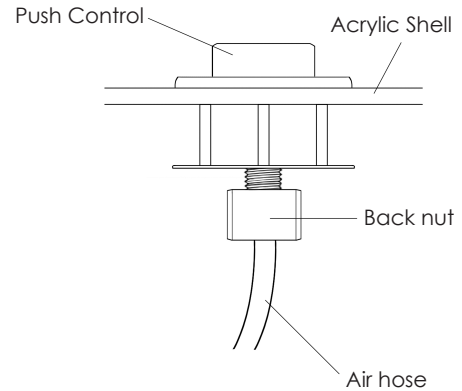
FAILURE TO READ AND COMPLY WITH ALL INSTRUCTIONS CAN RESULT IN PRODUCT DAMAGE OR INJURY TO BOTH INSTALLER AND HOMEOWNER. IT WILL ALSO RESULT IN ASSUMPTION OF ALL LIABILITY BY SAID INSTALLER

NOTE: Returns are only accepted in original packaging used for shipping. Use caution so as not to damage cardboard crate or its wooden pallet. Do not dispose of shipping material until installation is complete. Please visit our website, www.ellasbubbles.com for complete details of return/exchange policy.

Your bathtub comes with several warning label stickers throughout and are as follows:

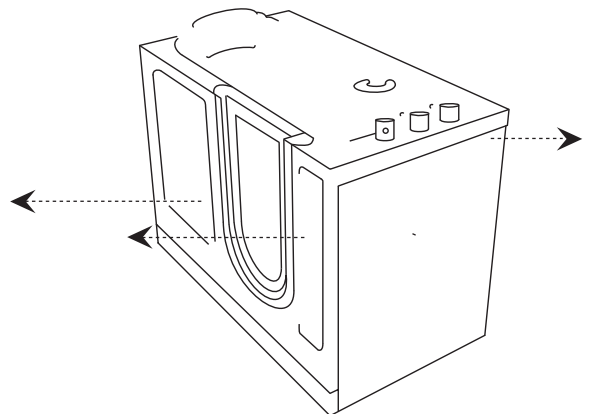
WARNING

MAKE SURE AIR PIPE CONNECTION TO PUSH CONTROLS IS PROPERLY TIGHTENED AND THAT PUSH CONTROLS ARE FUNCTIONING PROPERLY BEFORE FINALIZING INSTALLATION OF TUB



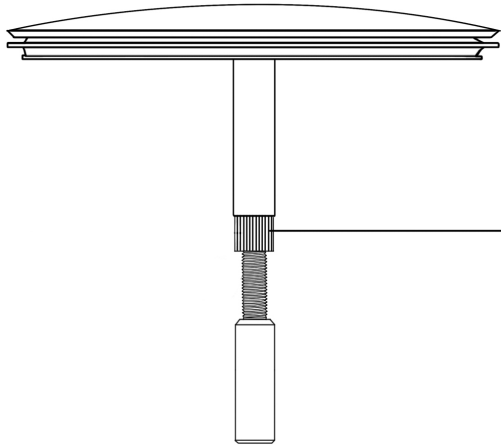
WARNING

REMOVE END PANELS BEFORE ATTEMPTING TO MOVE OR CARRY. FAILURE TO DO SO CAN LEAD TO DAMAGING AIR JETS AND OTHER COMPONENTS OF THE BATHTUB



Details on Page 3

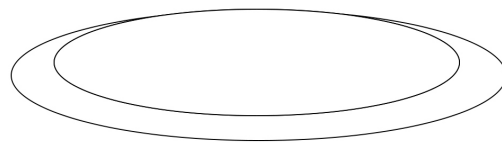
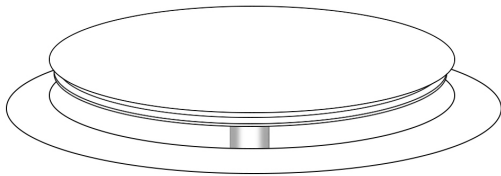
Warnings and Labels continued



Backnut ***MUST*** be securely tightened. Failure to do so will cause loosening over time resulting in it coming apart and falling down the drain.

Drain open
all the way

Drain closed
completely

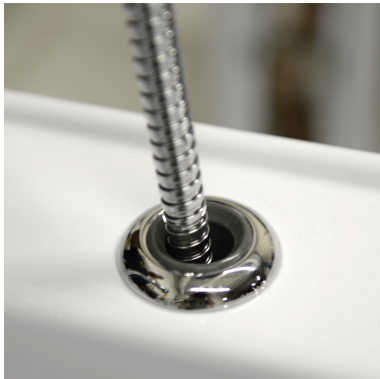


Drain must open completely to drain properly and close completely to avoid unnecessary drainage.

WARNING!

PLEASE READ BEFORE BEGINNING INSTALLATION

WARNING: Do not attach the hand held shower to the wall unless you have an extension hose with a barrel protection. This may cause water to leak behind your walk in tub.



Water from the hose can drip down into the hand shower base and get behind your tub without the barrel protection.

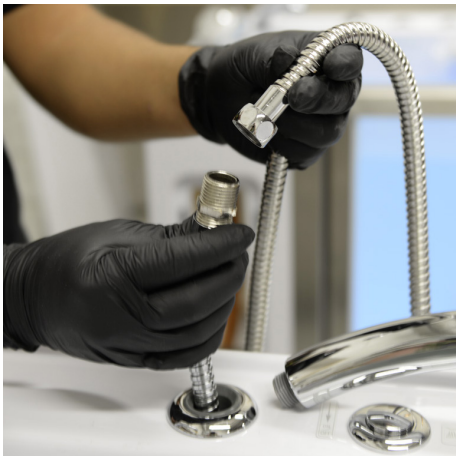
TO INSTALL BARREL EXTENSION HOSE:



1) Start by unscrewing your shower head mixer from the hose.



2) Next take your stainless steel barrel and screw it on the end of the hose.



3) Take your extension hose and screw it end to the opposite side of the barrel.



4) Place the barrel in the shower base to plug the hole.

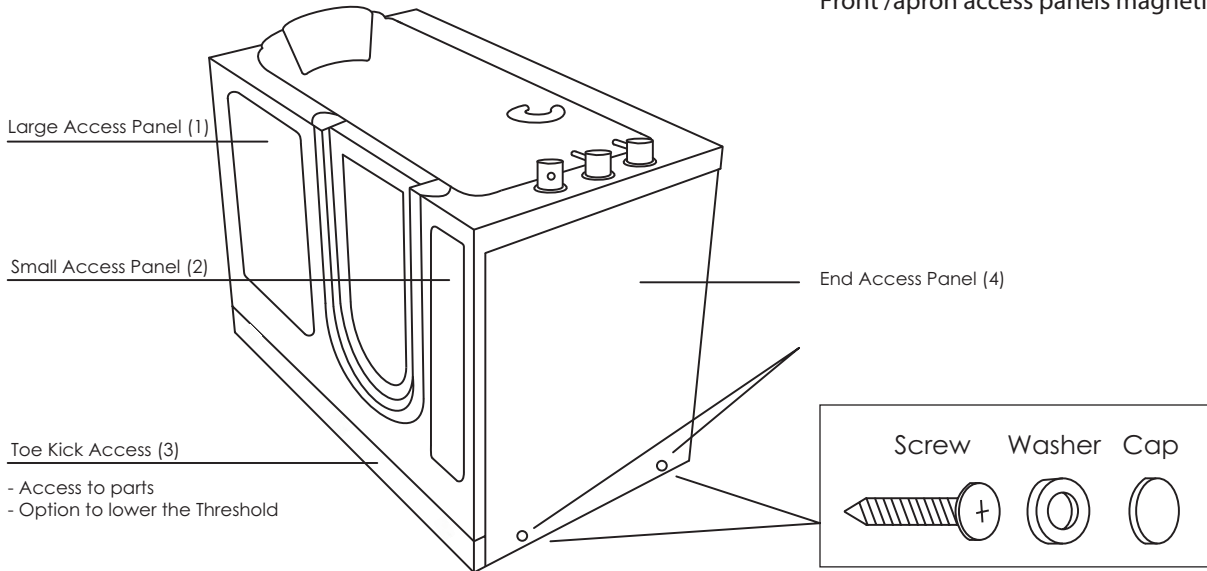


5) Finally, screw on the shower head mixer to the other end of the extension hose.

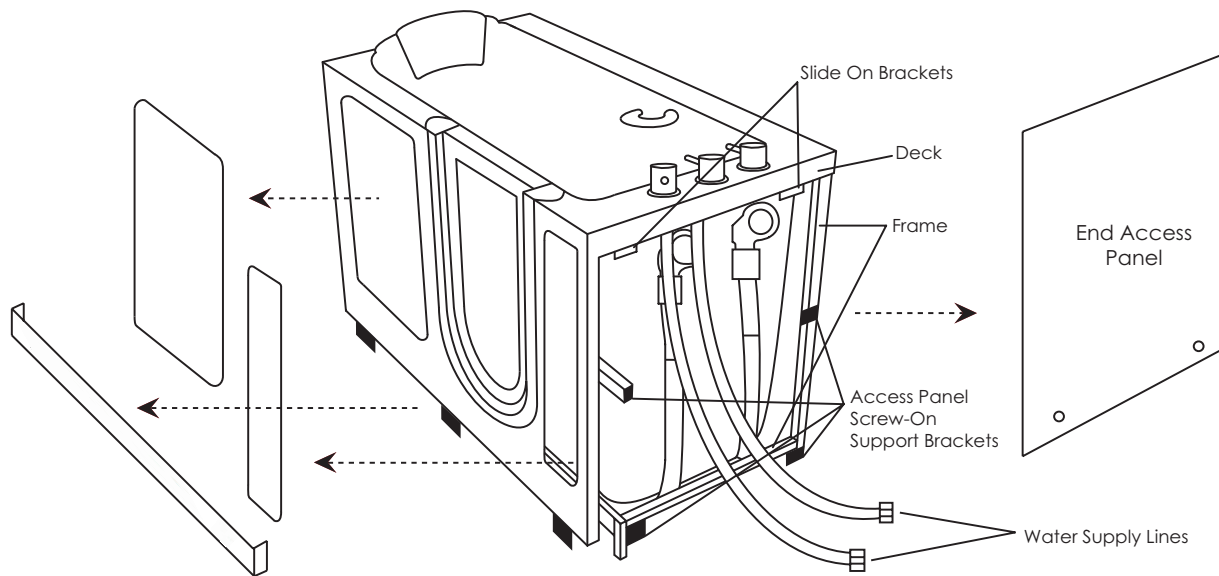
Please heed all warnings listed in the previous pages to avoid potential issues

Moving your Walk in Bath

Front /apron access panels magnetized to tubs.

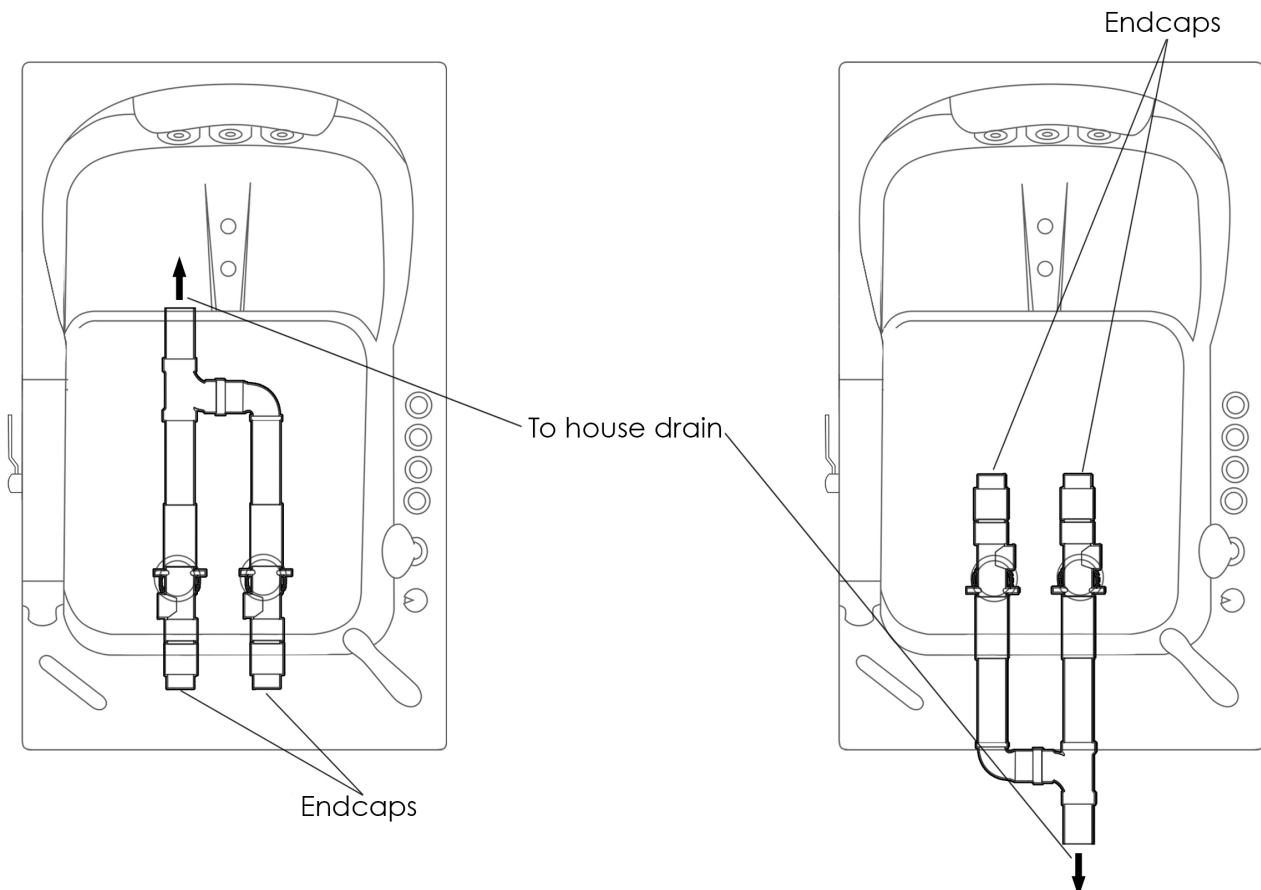
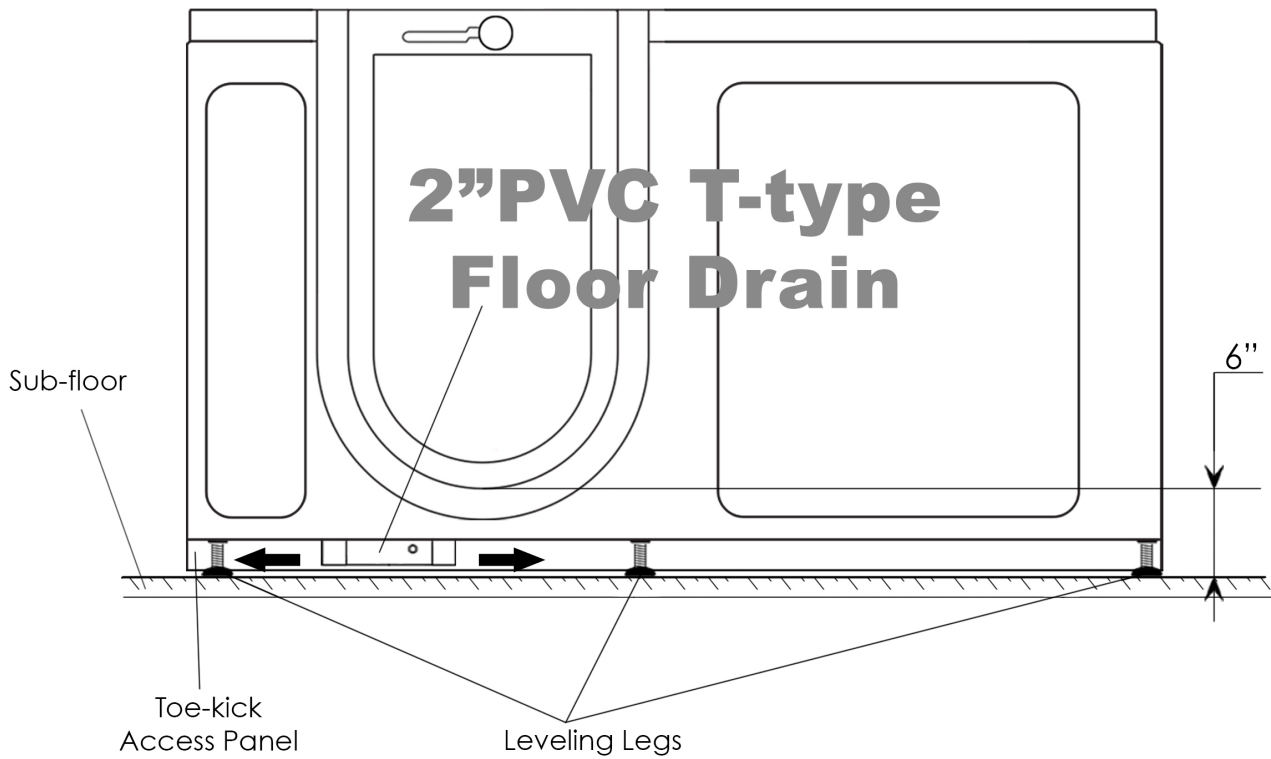


WARNING: Do not carry the walk in tub by the panels. Be careful when carrying the tub, avoid front panel contact with the floor or stairs to prevent damages. Make sure no loose parts are hanging down. Remove all four (4) access panels before carrying the tub to prevent them from falling out and breaking.



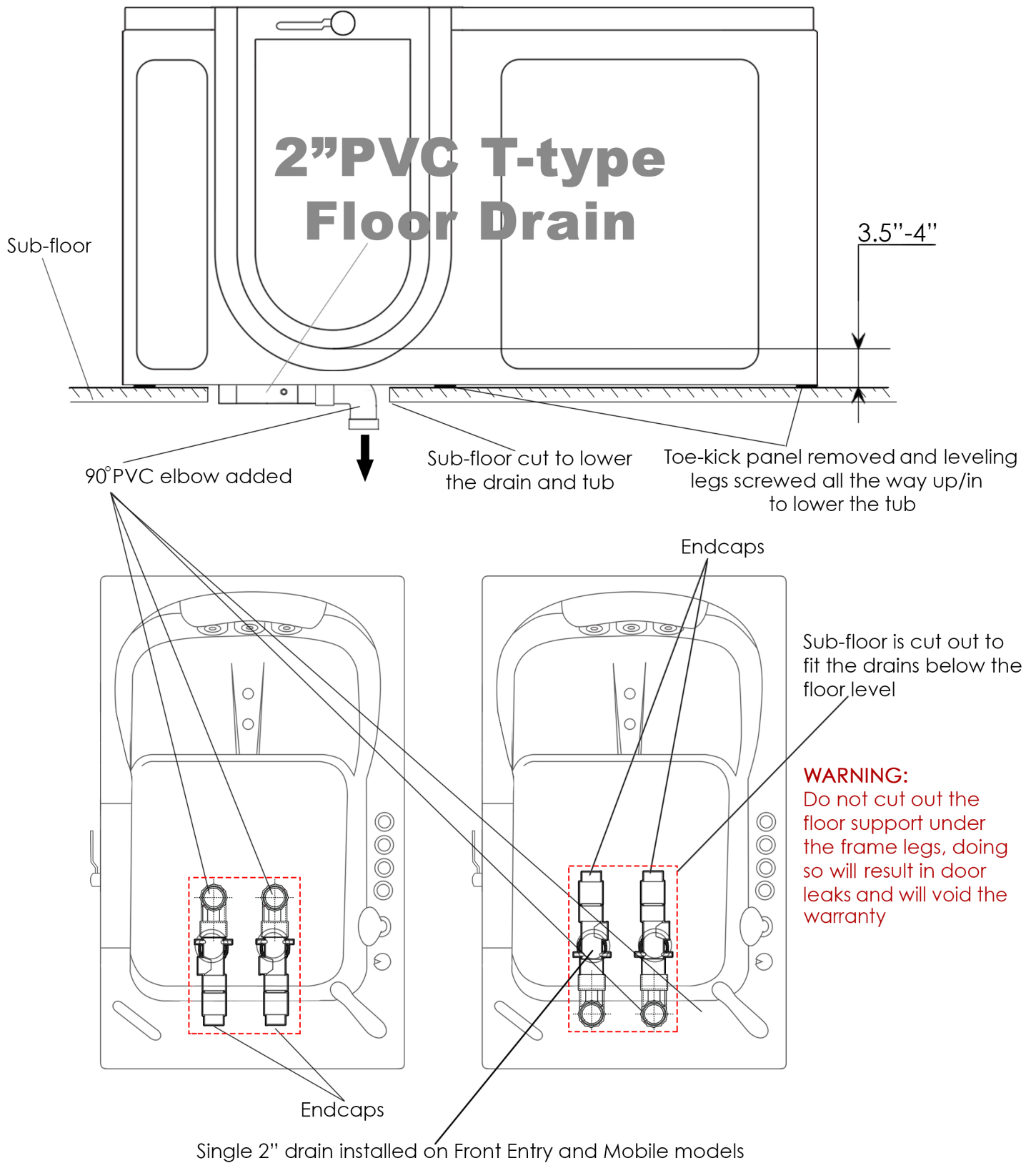
WARNING: Lift and carry the tub only by the frame. Protect the bottom of the tub to avoid breaking the air jets positioned on the bottom of the tub.

Above the floor drain installation options



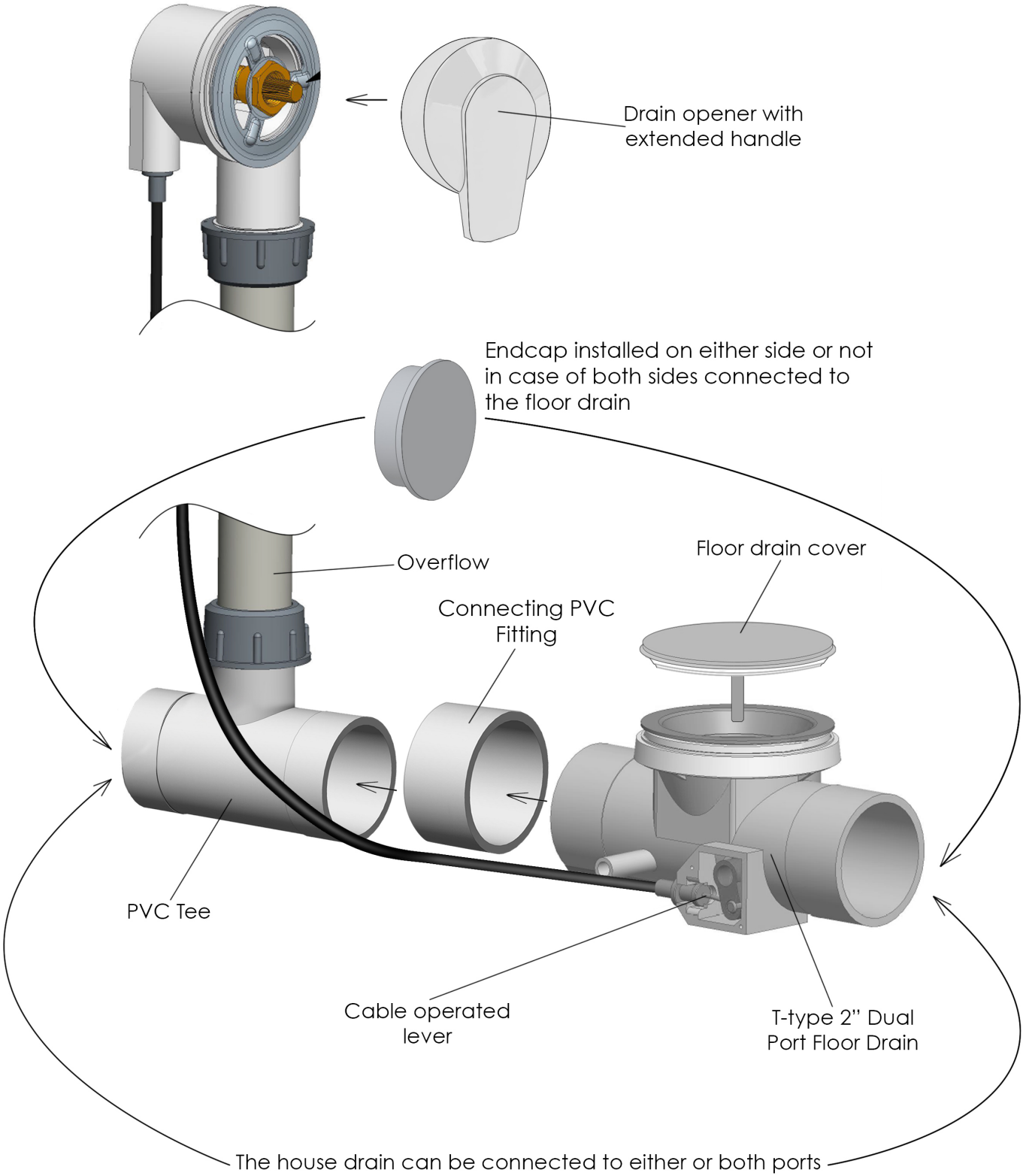
The drain positioning should be determined by a licensed plumber. The pictures above only show a few of the many possible options for drainage setup. For faster drainage all 4 ports may be connected to house drain.

Below the floor drain installation options



The drain positioning should be determined by a licensed plumber. The pictures above only show a few of the many possible options for drainage setup. For faster drainage all 4 ports may be connected to house drain.

Ella 2" T-type Dual Port Floor Drain
Ultra comes equipped with dual (2) drains



WARNING:

*****Read through the entire manual completely before beginning installation.*****

Contract a licensed plumber and electrician for installation. Be sure you and your contractor are aware and follow all local plumbing and electrical codes. Your Walk in Bath is not intended for outdoor use. Install the tub in accordance with the instructions in the manual. Use ONLY the parts and accessories provided or as recommended by the manufacturer.

CAUTION:

When using this product, basic precautions should always be followed. Read and follow all instructions pertaining to risk of fire, electric shock and injury. Make sure and have your licensed electrician test all connections to the dedicated line, including the GFCI.

Risk of electric shock; Do not permit electric appliances within 3 feet (1.5m) of the tub. i.e.: hair dryers, lamps, phones, radios, televisions, etc.

To reduce the risk of injury, do not permit children or persons with disabilities to use this product unless they are supervised by an able-bodied adult at all times. Never drop or insert any objects into any openings.

Do not turn on the Hydro jets without water reaching the waterline. The waterline is the point where all jets are covered with water.

DANGER:

Temperature in excess of 100.4 Fahrenheit (38 Celsius) may be harmful to your health. Check and adjust the temperature before use. Consult your physician before using your Walk in Bath if you have a heart condition or other health issues. People using medications, herbal remedies, sleep aids, and/or having adverse medical history should consult a physician before using this product.

Pregnant women should NOT use this product before consulting their physician. Avoid the use of alcohol, drugs or other medications while using your walk in bath.

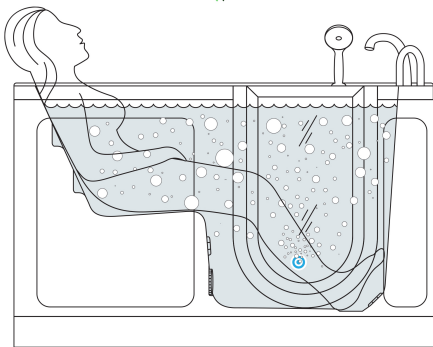
Be aware, hyperthermia is a risk when raising body temperature. Do not keep body submerged in heated bath for extended periods of time. The symptoms of hyperthermia include an increase in body temperature which can cause dizziness, lethargy, drowsiness and fainting. Avoid using the heated bath after strenuous activity.

Exercise caution while entering and exiting your Walk in Bath.

WARNING:

*****USE TUB ONLY AS INTENDED! FAILURE TO DO SO CAN LEAD TO INJURY OR DEATH*****

CORRECT

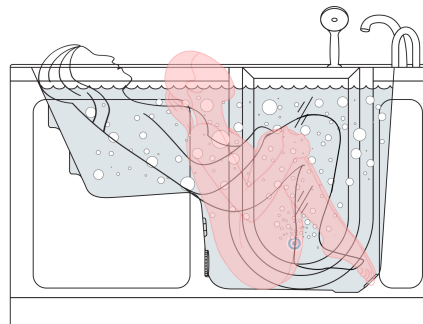
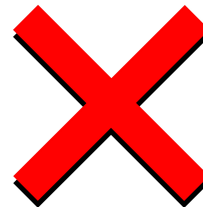
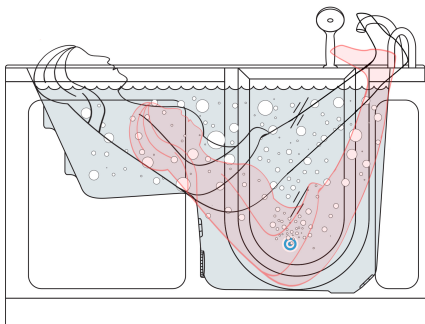


WARNING

BATHER SHOULD ONLY SIT AS SHOWN IN FIGURE TO THE LEFT. SIT FULLY IN SEAT WITH BACK ON THE BACKREST. DO NOT ATTEMPT TO SLOUCH OR LIE DOWN IN THE FOOT WELL AREA! DO NOT ATTEMPT TO PUT YOUR FEET UP ON OPPOSITE SIDE OF TUB!

In the case of bathers who do not have all functioning limbs or are paralyzed, bather must be attended by caregiver at all times and use an installed safety belt at all times.

WRONG POSITIONING



Protecting the Bath

Cover and protect the bath shell and fixtures from scratches or other damages during the installation and tests. Remove the access panels when moving the Walk in Bath and always lift the bathtub from the frame.

Electrical

The unit **MUST** be connected to a circuit protected by a ground fault circuit interrupter (GFCI) provided and installed by a licensed electrician and tested periodically (refer to instructions provided by GFCI manufacturer). Electrical requirements vary based on package; please refer to package diagrams included in the specifications. A licensed electrician for your area is required to install and test the electrical installation process. **DO NOT** use any kind of extension cords to power the unit.

Operating the pumps without first filling the bath to above the jets can cause permanent damage to your equipment.

Push the GFCI "test" button into "reset" mode. If the GFCI fails to operate in this manner, there is a ground current flow or a device malfunction, indicating the possibility of electrical shock. If this occurs, turn **OFF** the power and do not use the bathtub until the source of the problem has been identified and corrected.

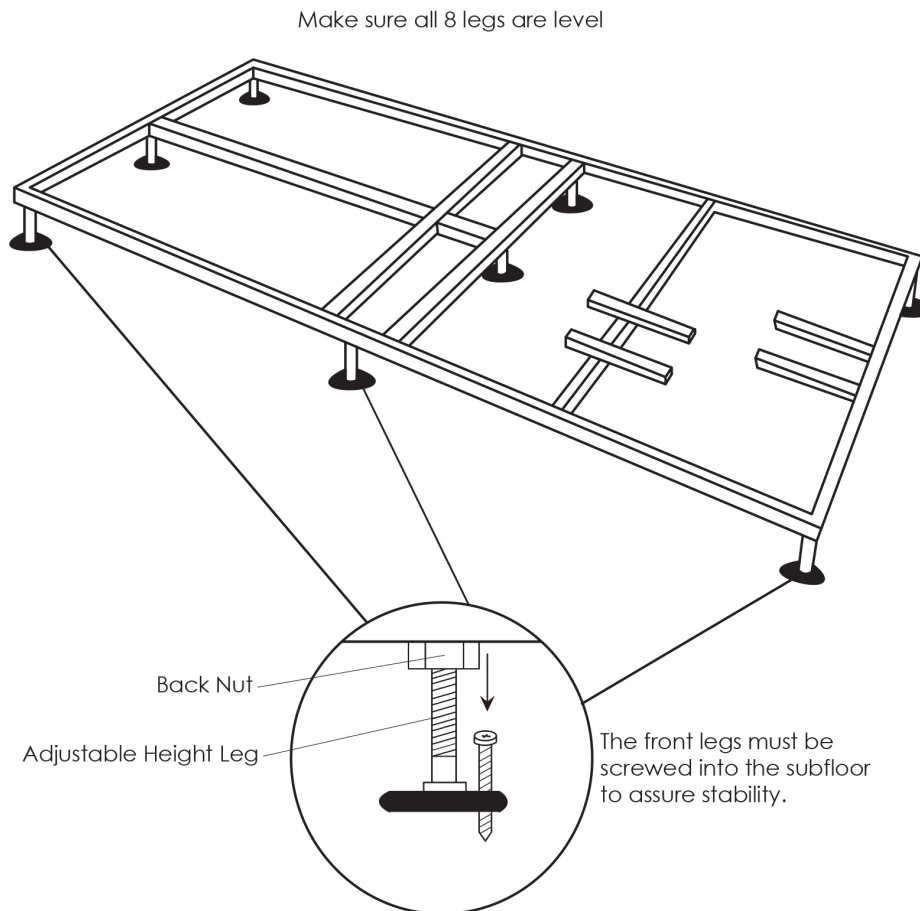
Water Test

It is important to test that the Hydro and Air Pumps are functioning properly before final in-wall installation to avoid unnecessary repairs or removal.

- A. Place the tub on a completely flat surface in an area where it may be drained after testing.
- B. Using a clean rag and warm water wipe down seal to insure it is free of debris.
- C. Seal the drains (this can be done with tape) and fill the tub to at least three inches above the highest jet, or to the bottom of the grab bar if no jets are present.
- D. Allow the water to stand in tub for 30 minutes and then inspect all plumbing and seals for leaks.
- E. Using appropriately rated three-prong extension cords, all plugged in to separate outlets, operate all electrical components (air blower, water pump, and heater if applicable) for another 30 minutes and inspect for leaks again. Inspect the unions around the pump and heater.
- F. If a leak persists at a union after tightening, it may have been over-tightened or might have a displaced O-ring. Disassemble it and make sure the O-ring was seated properly. Do the same if a leak persists at the heater. Verify that the heater threads match the pipe threads.

Prepare the sub-floor for the drain and ensure that the area is level. The supporting sub-floor must be able to support the total weight of the bathtub, bather and water and must meet local construction code requirements.

Use a level and make sure that the sub-floor below the tub is leveled. If the floor is not perfectly level, adjust the appropriate leveling legs to re-align the tub to perfect level. It is important that all of the leveling legs are completely supporting the tub (touching the floor with equal weight distribution) and the tub is leveled for the door seal to work properly. If the tub is not perfectly leveled, it may cause frame and shell warping which can cause changes in door alignment resulting in water leakage and void the warranty.

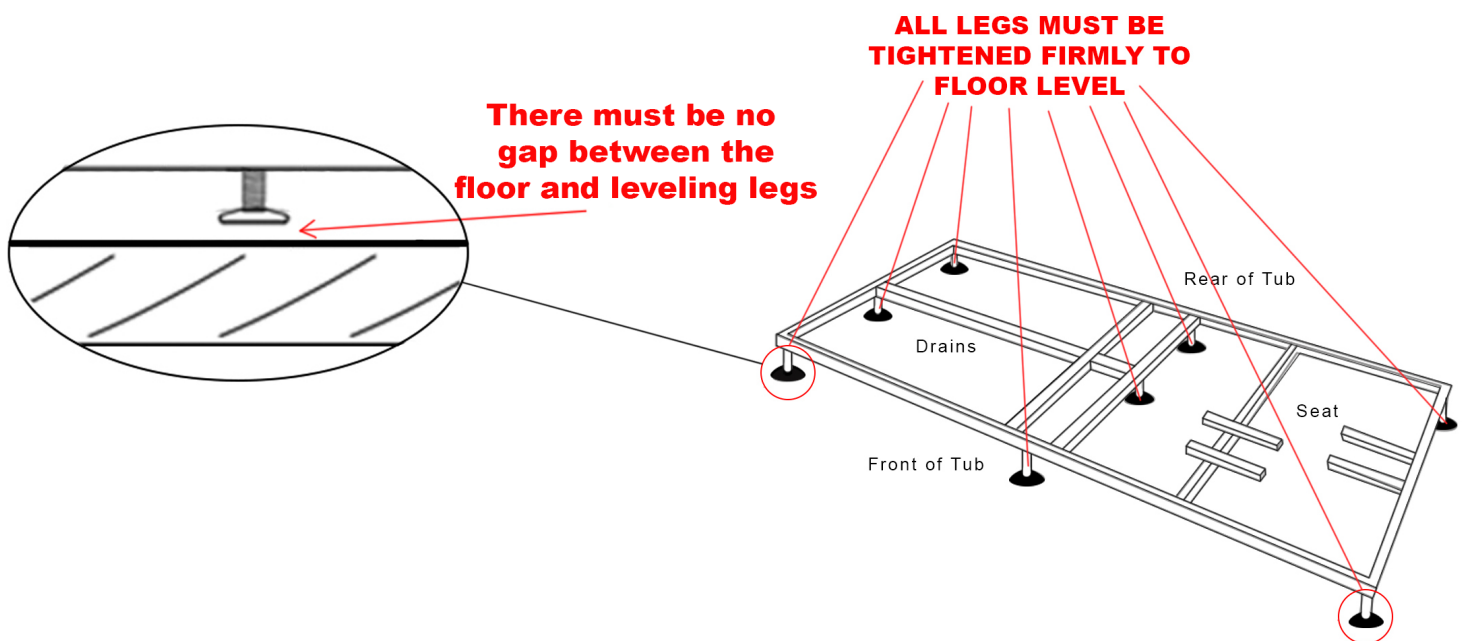


DISCLAIMER: The frame specifications and configuration vary based on model. If the sub-floor does not support the total weight of the bath, bather and the water, it can result in warping of the shell, misalignment of the door and/or create leaks and could lead to damage of your home.

Door and Frame Adjustments

Your walk in bathtub has been tested and leveled properly before leaving our facility. Our walk in bathtubs have been set on a perfectly level surface to ensure no leaks and proper door closing. It is up to your installer to test and make any adjustments necessary to ensure that all leveling legs support the tub frame and that the door is aligned correctly to prevent any leaks. The door must close smoothly to create a water tight seal.

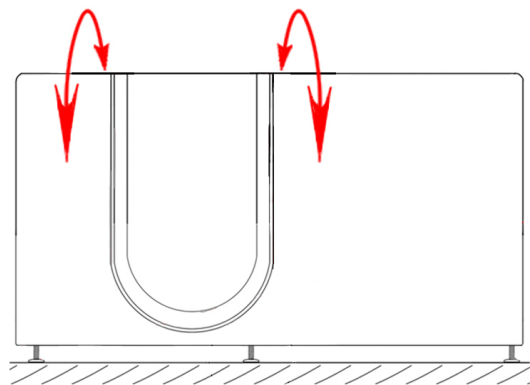
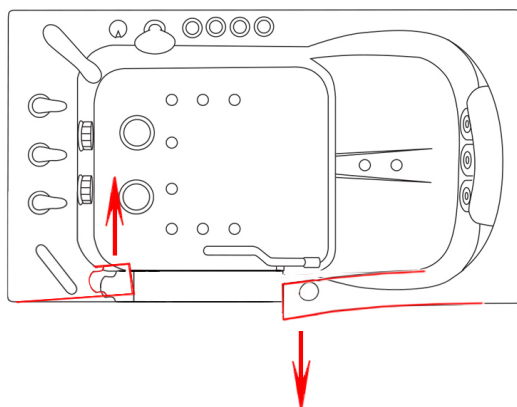
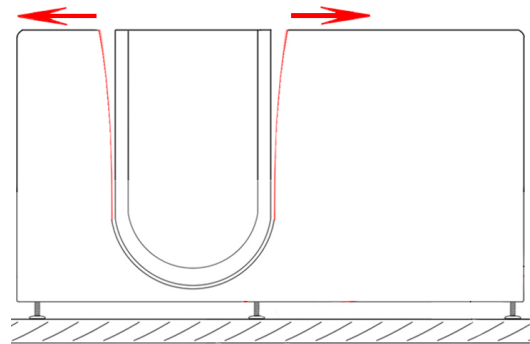
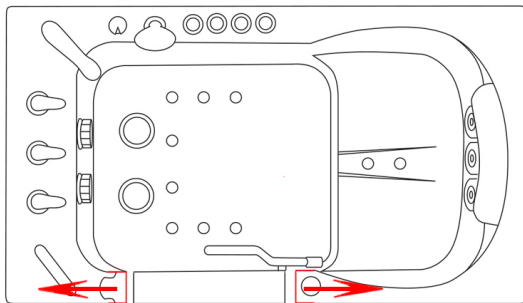
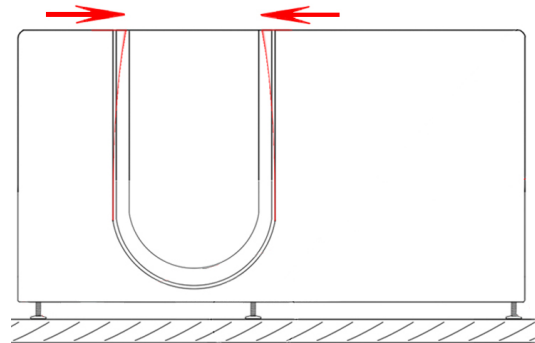
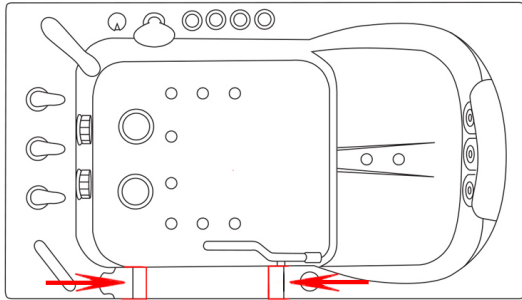
Extending or shortening the legs will help correct any alignment issues to close the gap between the door and the frame. Please call us immediately if any issues arise or if you have any concerns. 1-800-480-6850.



DISCLAIMER: The frame specifications and configuration vary based on model. If the sub-floor does not support the total weight of the bath, bather and the water, it can result in warping of the shell, misalignment of the door and/or create leaks and could lead to damage of your home.

Door and Frame Adjustments

WARNING: Failure to level the tub correctly WILL RESULT IN MISALIGNMENT! The drawings below illustrate some examples of what types of frame warping will occur if the legs are not level with the floor.



Service Access and Ventilation

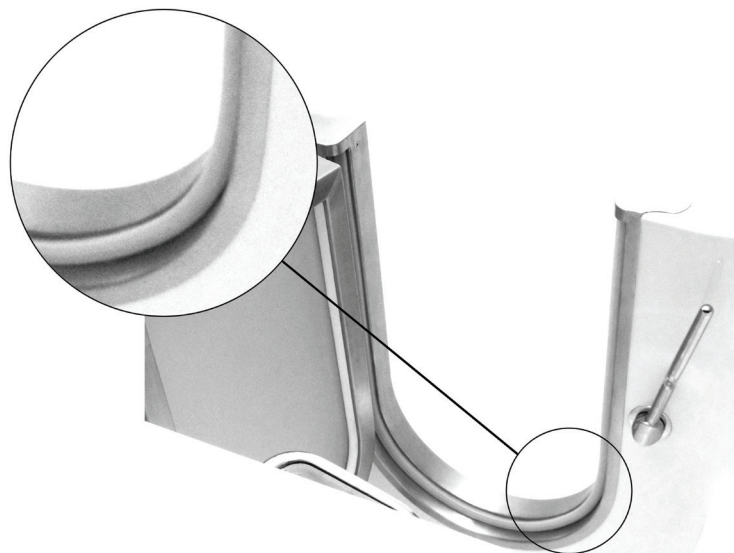


It is the responsibility of the installer or owner to provide access for service required, per code. ella is not responsible for any costs related to obtaining access for repair. The owner shall assume responsibility for such costs, and if appropriate, must seek recovery from the installer.

Do not insulate around the tub equipment. The tub, frame and all parts have been engineered to provide the proper ventilation. Any obstructions may cause the pumps or other electrical components to overheat.

Door Seal

Please keep in mind that the door has been closed for an extended period of time throughout shipping and the bathtub has been stored in various temperatures. It is possible for the silicone seal to stick to the frame when stored for extended periods of time. When the bathtub is received, the door seal should be checked for deformations from shipping and re-formed and adjusted where necessary. To restore the door seal, the seal must be released and allowed to relax with the door open. This is done by squeezing the seal with your finger tips and pulling it away from the door frame to regain its flexibility and original form. It is recommended that the door be kept open when not in use to increase the lifetime of the door seal and maintain its flexibility.



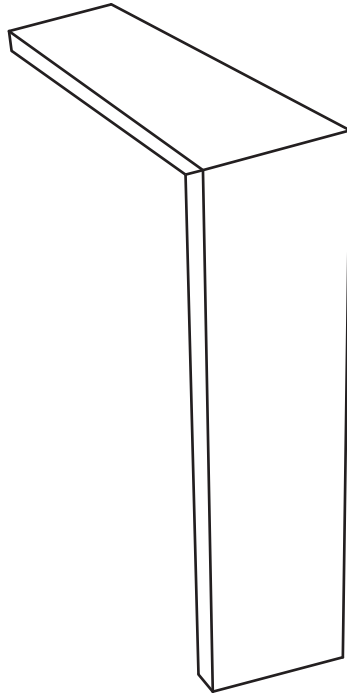


by ella's bubbles

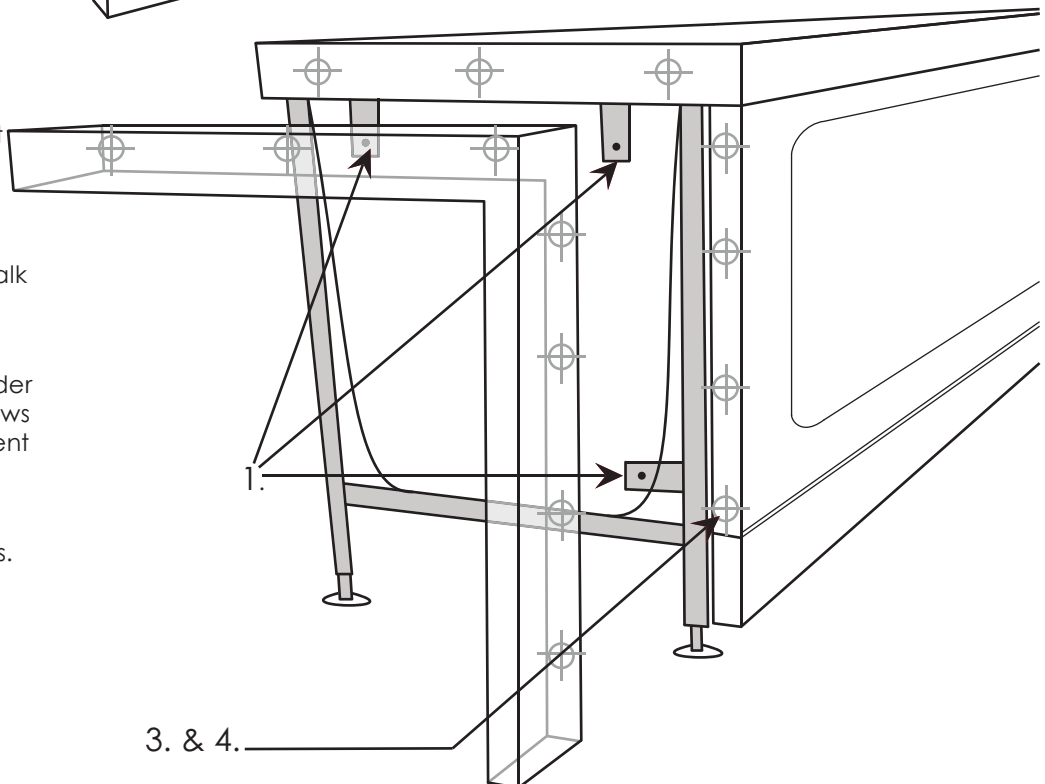
Installing Extension Kits

Deluxe Dimensions: 5"W x 29 1/2"L x 37"H
 Elite Dimensions: 7"W x 29 3/4"L x 37 3/4"H
 Royal Dimensions: 7"W x 31 3/4"L x 37 3/4"H
 Petite Dimensions: 7"W x 27 2/4"L x 37 3/4"H

- L" Stainless Steel BracketsQty (3)
- L" Acrylic BracketQty (1)
- 1" x 1/8" BoltsQty (7)
- 1" x 1/4" BoltsQty (7)
- 1" ScrewQty (1)
- 1/2" NutsQty (9)
- 3/8" NutsQty (7)
- Medium WashersQty (14)
- Small WashersQty (14)
- Plastic WasherQty (1)
- Plastic CapQty (1)



1. Install 3 extension support brackets provides in the kit.
2. Clamp in place, the extension panel to the walk in tub shell, lining up the facade of top and front.
3. Pre-drill (+3/8") slightly wider holes than mounting screws to allow for final adjustment to the panel.
4. Mount extension with 7 screws, washers and bolts.
5. Apply Silicone or white caulking as needed.

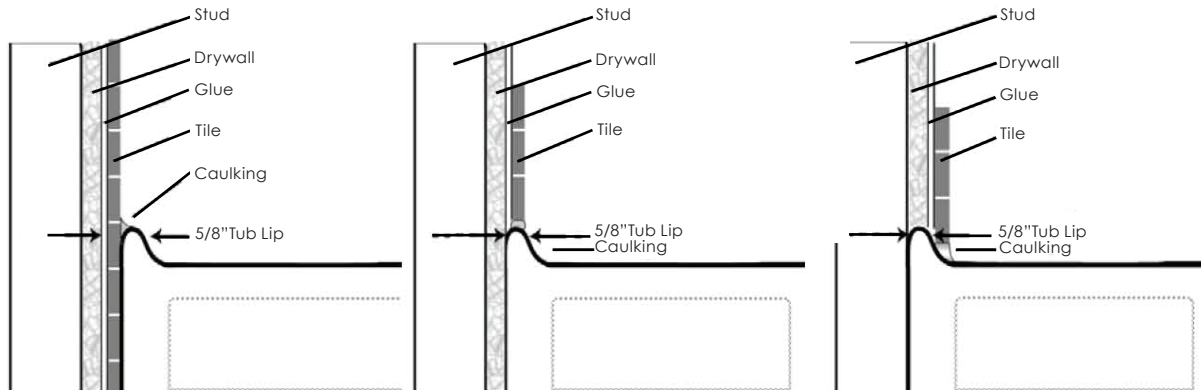


The extension kit can be installed as needed. Opening can be filled as desired.

Finishing Installation



After all of the water and electrical testing is completed and all fixtures are checked, the tub can be installed to the surrounding wall or walls. Walk in Baths come with low rise tile flange which allows for two or one wall installations. The extension panel of the bathtub can be installed as needed for 60" openings.



The tub can be finished and tiled over as shown in images. Caulking must be applied to joints as needed after the bathtub is installed.

Threshold Lowering Option

Lowering the threshold is an option that can be chosen during installation. Because your Walk in Bath is set up for easy installation, lowering the threshold requires the drain option to be set up below the floor. To lower the Walk in Bath threshold; First, remove the toe kick panel to expose the adjustable leg supports. Adjust the height of the tub while keeping the Walk in Bath plumb level on all four corners. Finish the installation with baseboard.



Panel On



Panel Off



Lowered Threshold



Baseboard On (not supplied)

NOTE: Any alterations or installed additions are the responsibility of the installer. Accessible Bathrooms is not responsible for any damage to the unit or for water damage, which could occur due to improper installation.

Ella Walk-In Tub Operations Instructions

List below reflects available options for all packages. Please refer to your purchased package and fixture operations below.

1. Hydrotherapy Massage

Push Control Option.

- Push On/Off push control marked with Water to turn the hydro pump and press it again to turn it off.

Digital Control Option.

- Push digital control button marked with blue water stream symbol to turn the hydro pump on or off.

Adjusting Water Massage Intensity.

- Use intensity dial control to turn it clockwise or counterclockwise to adjust the water pressure intensity coming out of the hydro jets. By turning the intensity control dial it will add or decrease air supply into the water stream.

In-Line Water Heater.

- The in-line water heater will turn on automatically when hydro pump is turned on. The purpose of in-line water heater is to maintain the water temperature of the tub. The in-line water heater is not designed to heat up the water!

Ozone Sterilization.

- The ozone sterilization will turn on automatically as soon as hydro pump is turned on.

2. Air Therapy Massage

Push Control Option.

- Push On/Off push control button marked with Air to turn the air pump and press it 4 times to turn it off. Air therapy massage has three speeds, cycle through by pressing button 3 times to get fast, medium or low speed.

Digital Control Option.

- Push digital control button marked with blue water stream symbol to turn the hydro pump on or off.

Auto Purge

- Auto-purge feature turns on automatically 20 minutes after the pump has been turned off, runs for 120 seconds to ensure your system is clear and free of moisture and excess water helping to prevent mildew build up

3. Infusion Microbubble Therapy

- Push control marked with Micro turns the micro pump On/Off

4. LED Chromatherapy Light

Push Control Option

- Push On/Off control marked with Light turns the light On/Off

Digital Control Option

- Digital On/Off control lightbulb button turns the light On/Off
- Press the button once for continuous changing light
- Pressing again will allow you to get to your preferred color (8 colors to choose from) Press and hold to turn off light

5. Heated seat and backrest

Push control on front face of tub turns the heated seat On/Off

- Turn on 10-15 minutes prior
- Turns off automatically after 20 minutes

6. Two (2) piece fast fill faucet

- To turn on water please pull up the lever and move it to the left for hot or right for cold water to adjust the desired temperature. To switch between the faucet and pull out hand mixer push the diverter button under the faucet.
- Handheld shower has 5 water flow settings controlled by turnable dial

7. Five (5) piece fast fill faucet

- To turn on water please turn the hot (red marking) or cold (blue marking) to adjust the desired temperature. To turn on the pull out hand shower adjust the diverter (middle lever).
- Handheld shower has 5 water flow settings controlled by turnable dial

8. Drain

- Open drain handles clockwise, close counterclockwise
- Please do not fill tub over center of the drain handle. Overflows work automatically once water reaches center of drain handle.
- Do not open door until tub is fully drained

9. Doors

The S-shape inward swing door handle is located on the inside of the tub and is designed with a wider opening for an easier pass through the door. The most comfortable door closing is as follows: please remain in standing position inside the tub before closing the door. When the door is closed please hold it with one hand in closed position and with the other hand push down the door handle into lock position and then sit down in the seat. The door also can be closed from the sitting position however this may be difficult for larger size bathers. In sitting position the bather will need to move both knees closer to the wall opposite to bypass the door from the door and close the door. Do not open tub door with water inside.

Recommended Acrylic Cleaners

Use only cleaning products whose labels state that they are SAFE for ACRYLIC. Always test products on a small are of skirt before applying to complete bath area.

- **White Vinegar & Water (Recommended)**
- ZEP Professional strength shower tub & tile cleaner
- Dawn dish detergent
- Rubbermaid commercial strength shower tub & tile cleaner
- Home Depot HDX shower tub & tile cleaner
- Scrub free original soap scum remover
- Kaboom shower tub & tile cleaner with oxy clean
- Simple green all purpose cleaners (any scent)
- Simple green lime scale remover
- Simple green natural bathroom cleaner
- All tilex products
- All Pine-Sol Products
- All Frangranzia Products

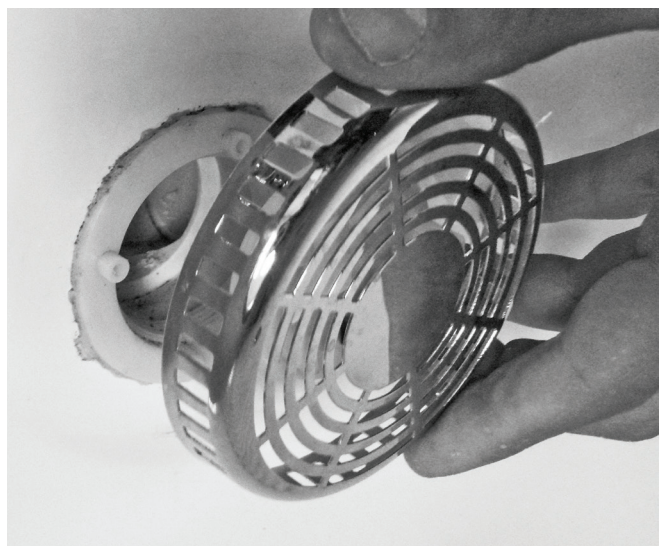
DO NOT USE the following on your

ACRYLIC Bath System. The use of the following chemicals will cause a dull surface or chemical cracks. The use of these products will VOID YOUR WARRANTY.

- Any product containing ammonia
- Dow scrubbing bubbles
- Abrasive Cleaners
- Ajax
- Comet
- Fantistik
- Soft Scrub
- Mr. Clean
- Nail Polish Remover
- Scouring Pads
- Ammonia
- Tough Act
- Powder or Crystal Drain Cleaners
- Greenworks Bathroom Cleaner
- Scrub Free w/Bleach
- Seventh generation bathroom cleaner - regular
- Magic Eraser

Monthly Maintenance

It is recommended that once a month the tub is flushed. As well, with every month of normal use, clean out the pumps inlet cover (shown right) by unscrewing the cover (counter clockwise) and removing any hair and debris from the cover and housing. Remount the cover in place. Never operate the system with the cover off, as the pump creates a strong suction and damage to the pump or injury may occur.



Recommended Acrylic Cleaners



Acrylic tubs provide customers with a better quality tub vs gel coat tubs. Unfortunately, these tubs can scratch if cleaned incorrectly. The way to proceed is gently, very gently. The good news: gentle cleaning does not translate into high maintenance. On the contrary, you'll probably save some cash by foregoing pricey chemical cleansers. Here's how to clean your acrylic tub safely and naturally: Wash your tub often, at least once a week, and use a mild soap -- plain old dishwashing liquid is best -- with lots of hot water. Most dirt will simply wash off with clean water. We recommend using liquid dish washing soap such as Joy, Palmolive or similar. Clorox bleach, Windex, ammonia based glass cleaners, Formula 409 and Fantastic are stronger cleaners that are also safe to use. Always clean with a soft sponge. Never, ever use abrasive cleaning products (those containing fine grit; check the label) or abrasive cleaning pads. Use of these chemicals will destroy the acrylic and void your warranty. Waxing is another no-no. Your acrylic tub is naturally very shiny and designed to stay that way without additional help. Lastly, is your water supply kind of alkaline? If so, you might notice a little hard-water buildup appearing over time. The easiest fix, believe it or not, is plain white vinegar. Spray a 50/50 mix of water and vinegar on the affected areas and let it soak for a while. Rub gently, then rinse.

If you would like a deeper clean than the recommended dish soap and hot water, you can try some of the products listed below that have been approved for use with Acrylic.

- CLR PB-BATH-32PRO Multi Purpose Daily Bath Cleaner
- Better Life Natural Tub and Tile Cleaner
- Don Asiett's Tub n Tile Concentrate
- Better Life Natural Tub and Tile Cleaner
- Bio Clean: Eco Friendly Hard Water Stain Remover
- Rejuvenate Scrub Free Soap Scum Remover Non-Toxic Non-Abrasive Cleaning Formula
- Spray Nine 26832 Heavy Duty Cleaner/Degreaser and Disinfectant

- Oh Yuk Jetted Tub System Cleaner
- Jelmar PB-BK-2000 CLR Fresh Scent Bath and Kitchen Cleaner
- The Bucko Soap Scum and Grime Remover/Bathroom Cleaner
- Shower Power - Powerful Bathroom Cleaner from Concentrate - Tub and Shower Cleaner
- Good Green Cleaner Starter Set
- AmazonBasics Professional All-Purpose Cleaner



COZYHEAT

SURFACE HEATERS

Stay warm. Get cozy.

Surface heaters activate in minutes, keeping you warm and relaxed from the moment you enter the tub.



Leading supplier of surface heating technology across **ALL** major tub brands.

INSTALLATION
made **EASY** with
3M Technology

CozyHEAT SURFACE HEATERS

are safe and easy to operate. Controlled through a simple software interface, each control module accommodates multiple heaters (up to 96 watts). Can be combined with all hydrotherapy systems.

SAFE.
PROVEN.
CUSTOMIZABLE.

STAND-ALONE SYSTEM OPTIONS

Multiple Surface Heaters
(up to 96 watts)

120V GFCI
Protected Receptacle

Keypad Options

CIDU-252-03-01-01
CIDU-252-03-03-01
* eypad Cable CCBL-372

TOUCHSTONE®
Controller
CIHC-300-01-01-01



LED Option

CICL-297-01-01-01
* ED Cable CCBL-366



MASTER BATH SYSTEM OPTIONS

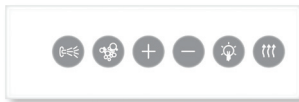
Multiple Surface Heaters
(up to 96 watts)

120V GFCI
Protected Receptacle

INFUSION®
Microbubble Pump or Blower

Keypad Options

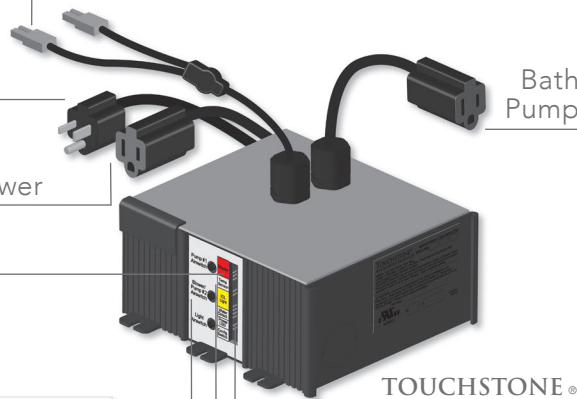
CIDU-252-03-01-01
CIDU-315-05-01-01
* eypad Cable CCBL-372



Air Switch Options

Optional Feature

Thermistor sensor for temperature feedback.



TOUCHSTONE®
Master Bath Controller
CMBC-298-01-01-01

LED Option

CICL-297-01-01-01
* ED Cable CCBL-366



FEATURES & BENEFITS

Innovative Proven Technology

Industry-leading overheat protection, multi-level temperature monitoring.

Performance

Fastest heating curves in industry enhances bathing experience.

Adaptable Installation

Custom shapes, solutions for all bathtub configurations.

Rugged Construction

Heating cables blanketed in a multi-layer mesh. Trouble-free installation. Excellent mechanical strength.

*System options require additional cables.