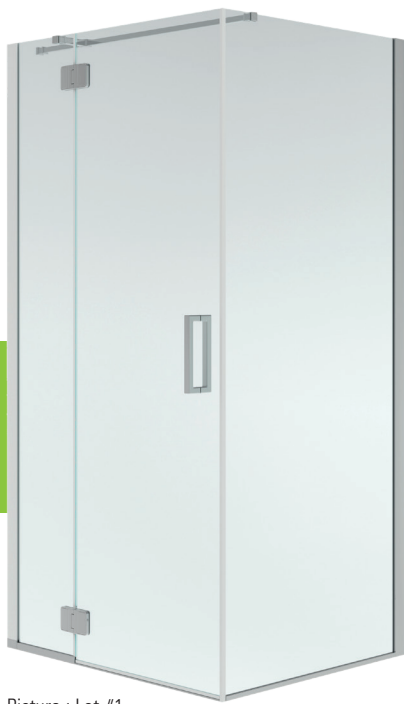


AZELIA 3642 SHOWER DOOR

LOT #1



Picture : Lot #1

PRODUCT DESCRIPTION:

Contemporary style
 Front and return glass panels
 6 mm glass (1/4")
 Door opening 23 5/8"
 right or left corner installation
 Offered in chrome/clear

24-48hrs

BOXES SIZE:

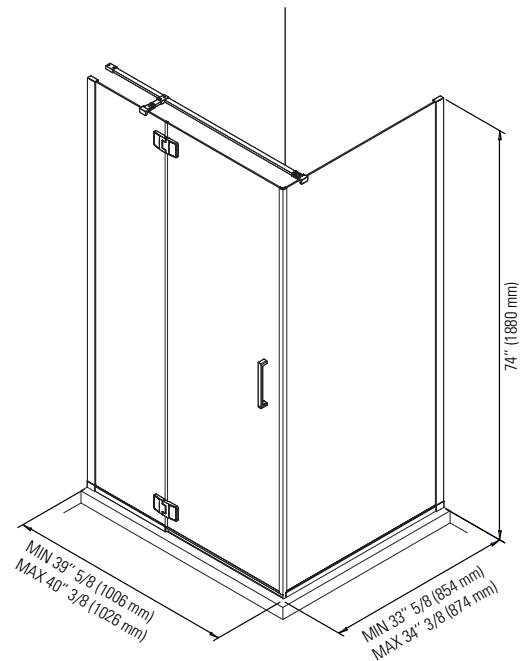
77" x 35" x 3"

NET WEIGHT:

124 lbs

GROSS WEIGHT

124 lbs



* Produits Neptune applies a cutting-edge protective covering, which repels water and dirt for easy cleaning and increases the lifespan of your shower doors.



Certification ECORESPONSIBLE
 First manufacturer of bathroom products in North America to be certified ecoresponsible.



Produits Neptune

6835, Picard street, Saint-Hyacinthe (Quebec) J2S 1H3
 Phone: (450) 773-7058 - produitsneptune.com

REV: 05-20