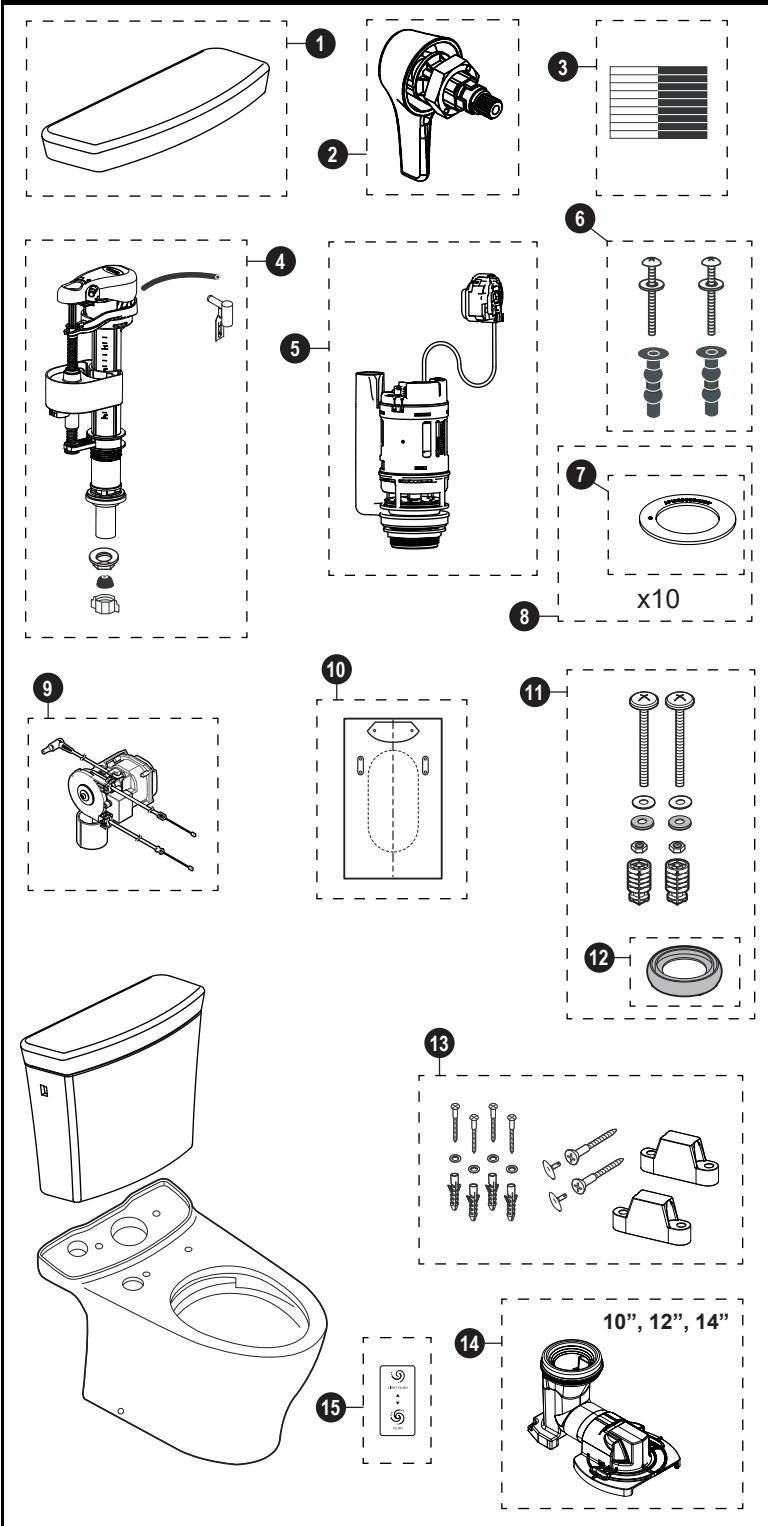


MS448124CEMFG, MW4483046CEMFG(A) & MW4483056CEMFG(A)

MS448124CEMFG MW4483046CEMFG(A) MW4483056CEMFG(A)  
 CT446CUFGT40 SW3046AT40 SW3056AT40  
 ST448EMA  
 SS124

**Aquia IV® Arc**  
**1.28 & 0.8 Gpf Toilet, Elongated, Universal Height**  
**DYNAMAX TORNADO FLUSH®, Unifit Rough-in,**  
**(CEFIONTECT® & Auto Flush compatible)**



Item	Part	Description
1	TCU446CR#01	Tank Lid - Cotton
2	THU806#CP-A	Left Hand Trip Lever - Chrome Plated
3	THU107	Velcro Tape
4	TSU813.07-A	Fill Valve
5	THU817R-A	Flush Valve Assembly, 1.28gpf
6	THU651N	Seat Top Mounting Hardware
7	9BU112E-A	Seal Gasket for Flush Valve (1 piece)
8	THU744	Seal Gasket for Flush Valve (10pieces)
9	THU765	Auto Flush unit for Dual Flush
10	0GU181-A	12" Unifit Rough-in Template
	0GU182-A	10" & 14" Unifit Rough-in Template
11	THU741-A	Tank to Bowl Mounting Hardware
12	9BU109E-A	Tank to Bowl Gasket
13	THU742#01-A	Toilet Mounting Hardware
14	TSU08W.10	Unifit Rough-in 10"
	TSU08W.12	Unifit Rough-in 12"
	TSU08W.14	Unifit Rough-in 14"
15	0EU148-A	Dual Flush Sticker

**Note:**

Product Number Explanations		
Two-Piece Toilet	Tank	Bowl
(MS) Toilet & Seat combo	(ST) Tank	(CT) Skirted Bowl
(MW) Toilet & Washlet combo	(448) Tank Model	(446) Bowl Model
	(E) 1.28 gpf / 4.8 Lpf	(C) DYNAMAX
	(M) Dual Flush	TORNADO FLUSH®
	(A) Auto Flush compatible	(F) Universal Height
		(G) CEFIONTECT®
		(T40) WASHLET®+

Actual Product may vary slightly from illustration.