

MS856124CSMG, MS856234CSMG, MW8563046CSMG(A), & MW8563056CSMG(A)

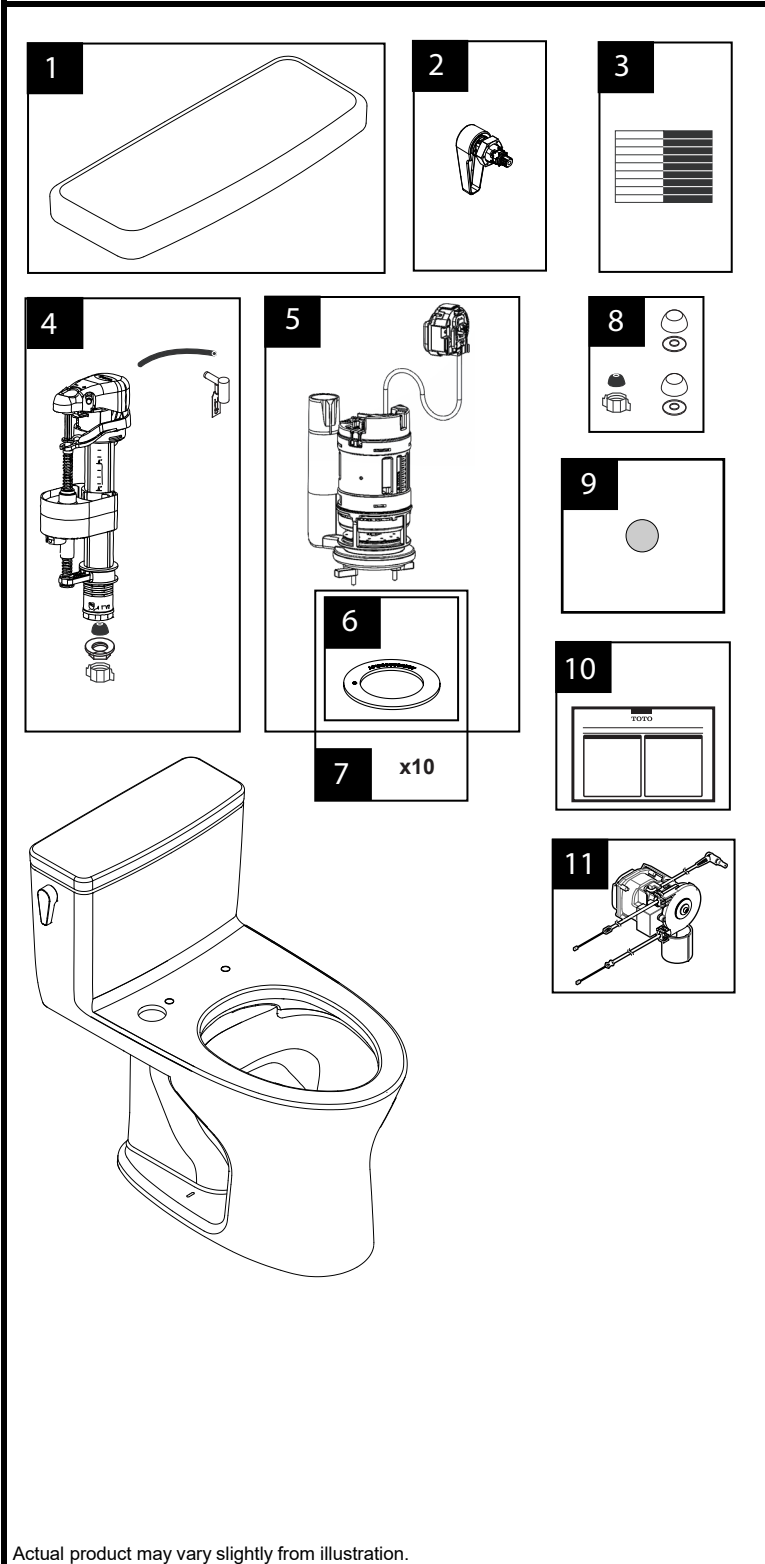
MS856124CSMG

MS856234CSMG
CST856CSMGAT40
SS234

MW8563046CSMG(A)
CST856CSMGAT40
SW3046AT40

MW8563056CSMG(A)
CST856CSMGAT40
SW3056AT40

UltraMax® WASHLET+®
1.6 & 0.8 Gpf Toilet, Elongated
DYNAMAX TORNADO FLUSH®
(including CEFIONTECT®)



Item	Part	Description
1	TCU856CR#01	Tank Lid w/ Velcro Tape - Cotton
	TCU856CR#12	Tank Lid w/ Velcro Tape - Sedona Beige
2	THU773#CP-A	Trip Lever Handle - Chrome Plated
	THU773#PN-A	Trip Lever Handle - Polished Nickel
	THU773#BN-A	Trip Lever Handle - Brushed Nickel
	THU773#01-A	Trip Lever Handle - Cotton
3	THU107	Velcro Tape
4	TSU812.07-A	Fill Valve Assembly
5	THU787-A	Flush Valve Assembly, 1.6 & 0.8 GPF
6	9BU112E-A	Flush Tower Seal Gasket - 1pc
7	THU744	Flush Tower Seal Gasket - 10 pcs
8	THU035W#01	Bolt Cap Set (2pieces) - Cotton White
	THU035W#12	Bolt Cap Set (2pieces) - Sedona Beige
9	0EU147#01-A	Conceal Sticker - Cotton White
	0EU147#12-A	Conceal Sticker - Sedona Beige
10	0GU013Z-12	Installation Instruction
11	THU765	Autoflush unit for dual flush

NOTE: For WASHLET® spare parts, refer to WASHLET® spare parts sheet.

Product Number Explanations

One-Piece Toilet

(CST) Tank+Bowl Toilet (A) AUTO FLUSH
 (MS) TOILET & SEAT COMBO (T40) WASHLET+®
 (MW) TOILET & WASHLET® COMBO
 (SS) SEAT
 (SW) WASHLET®
 (856) MODEL #
 (C) DYNAMAX TORNADO FLUSH®
 (S) 1.6 GPF / 0.8GPF
 (M) DUAL-FLUSH
 (G) CEFIONTECT®

Actual product may vary slightly from illustration.