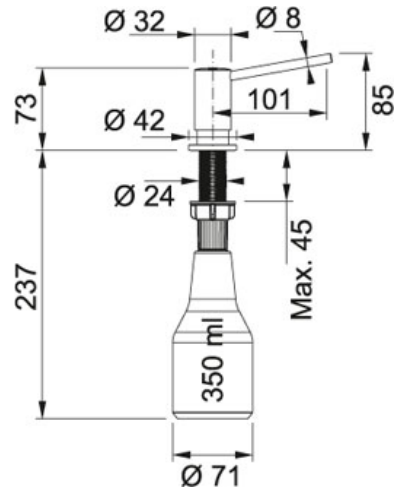


# STEEL Stainless Steel | 119.0307.938

FAMILY : Sink Accessories | SERIES : STEEL | FINISH : Stainless Steel | INSTALLATION TYPE : Sink/Worktop | STYLE : Contemporary | MODEL : Soap dispenser



## TECHNICAL DATA

|             |                     |
|-------------|---------------------|
| Remarks FKS | Require 1 1/8" Hole |
| Version     | Soapdispenser       |