

# Low Threshold Shower 60" x 33" **Ella Freedom** - Left or Right Seat Brushed Nickel Grab Bars



**Model #**

6033SH 3PS L-WH-FB  
6033SH 3PS L-BO-FB  
6033SH 3PS L-BI-FB

6033SH 3PS R-WH-FB  
6033SH 3PS R-BO-FB  
6033SH 3PS R-BI-FB

**Ella Freedom Accessories** (below):



Outside Dimensions: 33" W x 60" L x 77" H  
Seat Dimensions: 22" W x 18.5" L x 21" H  
Shipping Dimensions: 46" W x 60" L x 48" H  
Shipping Weight: 325 lbs.  
Net Weight: 175 lbs.  
Threshold Height: 4"

**Package Options:**

- White (W), Bone (BO) or Biscuit (BI) Shower Panels
- Standard, Plus 24, Plus 36
- Flange Trim Molding Kit
- Multi-Piece Window Trim Kit
- Grabs bars also available in Polished Chrome and Oil Rubbed Bronze

**Panels:**

Shower Base ..... 33" W x 60" L x 28" H  
Side Wall Panel Left ..... 33" W x 30" L x 49" H  
Side Wall Panel Right..... 33" W x 30" L x 49" H

**Features:**

- Premium applied acrylic, three piece shower with 6" classic tile pattern design and diamond accent
- Armorcore reinforced walls for placing grab bars and seats anywhere (not dependent on stud locations)
- Easy shower wall assembly pin-lock system allowing front side installation
- Precision fit wall panel seams (match into grout pattern)
- Grip-Sure™ floor texture
- Self supporting, pre-leveled shower base (no mudset required)
- Shower door friendly (squared corners allow door installations)
- Ships pre-assembled, heavy duty crating protects product in transit

**Accessories:**

- Three (3) 16" Brushed Nickel Finish Curved Grab Bars
- One (1) 2-in-1 Grab Bar for Shower Valve
- 2" Chrome strainer brass drain with friction seal



Brushed Nickel Curved Grab Bars with Covered Flange



Brushed Nickel 2-in-1 Shower Valve Grab Bar



2" Chrome Strainer Brass Drain with Friction Seal

**Codes:**

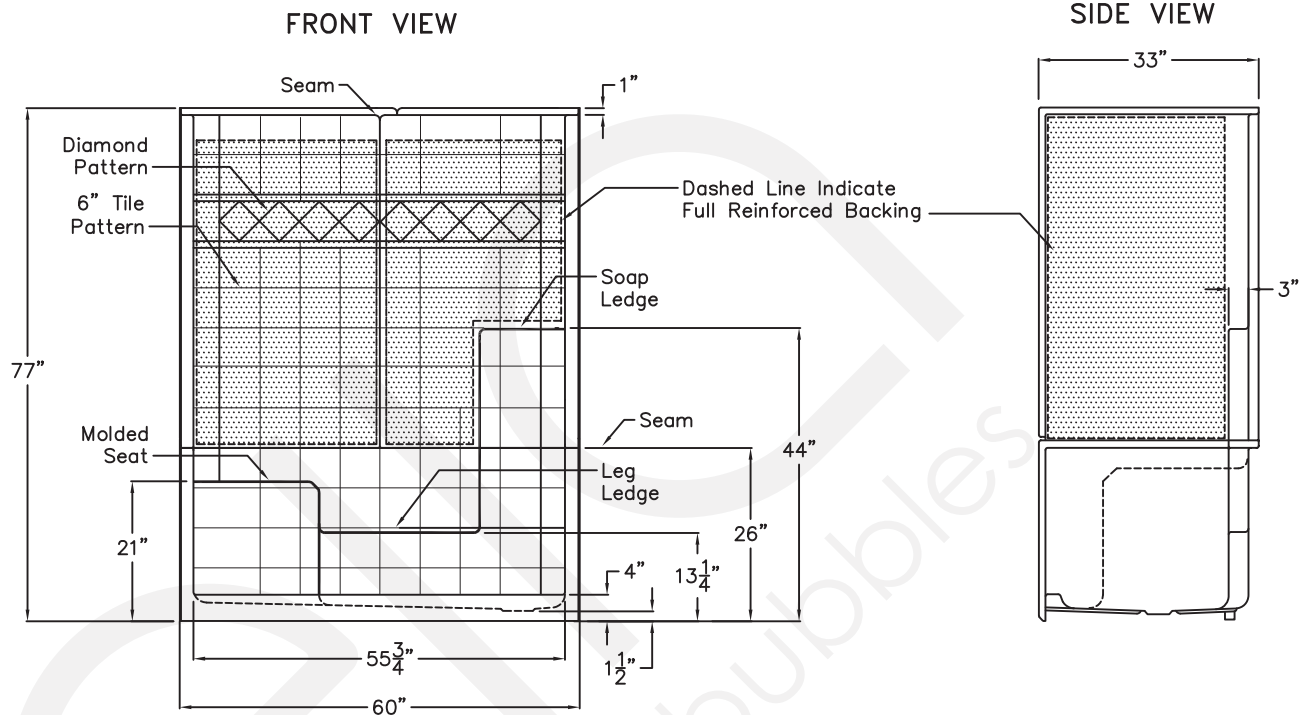
IPC, UPC, ANSI Z 124.2, NAHB, HUD, FHA

**Warranty:**

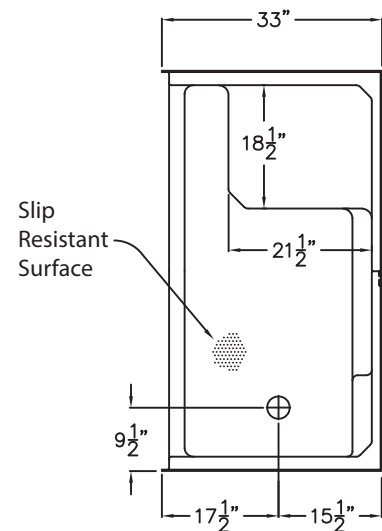
30 Year Limited Lifetime Warranty (on shower panels)\*

\*For more information please visit [www.ellasbubbles.com](http://www.ellasbubbles.com)

LUXURY ACRYLIC SERIES  
SUBMITTAL DATA



TOP VIEW



**Accessible Shower Stall**

The unit shall meet UPC, CSA B45.5, IAPMOZ124-11, Home innovation Research Lab, and shall meet the requirements of the Southern Building Code.

The enclosure shall be equipped with the following installed accessories:

- 1) Tile finish on walls,
- 2) 3-Piece sectional design,
- 3) Diamond accent pattern,
- 4) Molded soap ledges on back wall,
- 5) Molded low ledge on back wall,
- 6) Molded seat, left or right,
- 7) Full reinforced backing on walls,
- 8) 4.0" Threshold.

DUE TO THE NATURE OF THE MATERIALS  
DIMENSIONS MAY VARY ± 1/2"

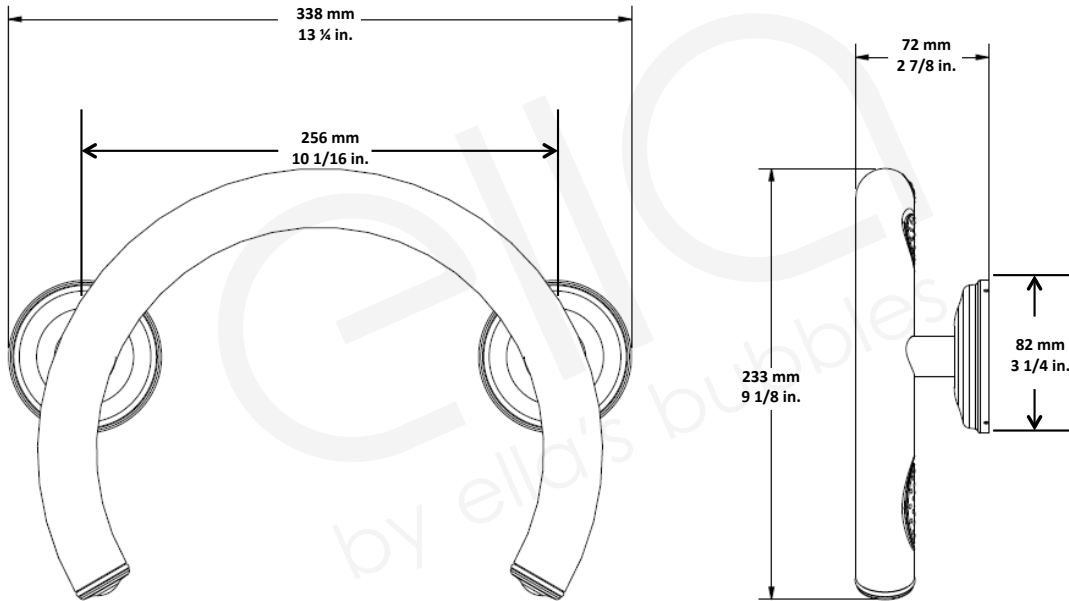
Disclaimer:

In an effort to continually improve our product, specifications and configurations are subject to change without notice. Before ordering or installing, consider future access to essential equipment. Due to the nature of the materials, dimensions may vary ± 1/2".

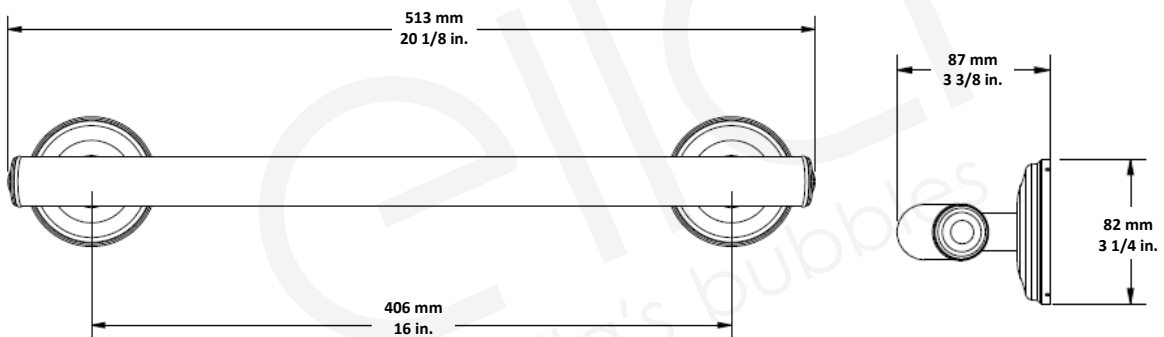
# Brushed Nickel Grab Bar Set

FEATURING GRABCESSORIES

## 2-in-1 Shower / Tub Grab Bar Ring



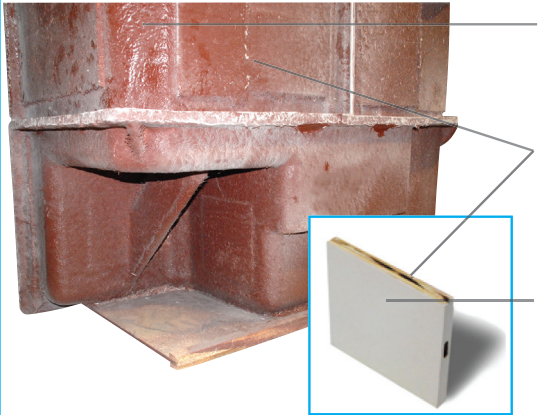
## Three (3) 16" Curved Grab Bars



# Low Threshold Features

## STRENGTH

Armorcore & Steel Reinforced Walls



Fiberglass resin structural substrate cures to a seamless strong encasement.

All panels are backed with armorcore backing accessories can be installed anywhere.

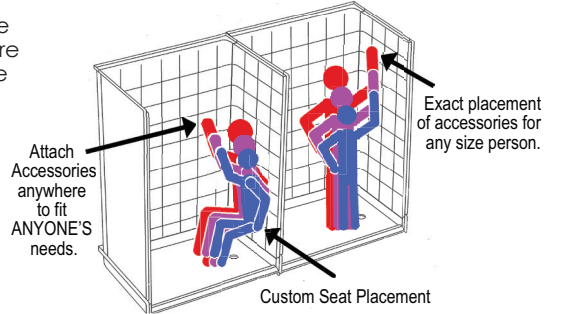
Applied acrylic finish surface.

Twice the weight and twice the raw materials used in the construction of our showers than listed by any of our competitors. Armorcore reinforced core walls and high density base.

## ADAPTABILITY

Customized Accessory Placement

The armorcore reinforced core walls allow the fixtures to be installed right onto the wall studs by eliminating the need for a drywall backing.



## SHOWER DOOR FRIENDLY

Your choice: Curtain or Door

Square corners in Ella shower construction allow for framed or frameless shower doors to be installed.

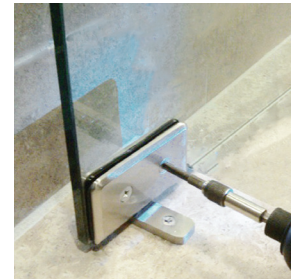
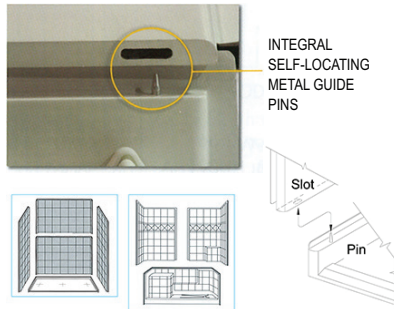


Image for illustration only

## FRONT SIDE INSTALLATION

Aluminum Pin and Slot System for a contractor friendly front side installation.

An installation may be finished in a fraction of the time. No more need to get behind the panels to bolt large panels together.



## AVAILABILITY

Your Project won't be held up

Ella showers are manufactured, inspected and shipped directly from the factory within 5 - 7 business days.

Rush orders are available upon request (white only).

No order is too big or small.



In stock for Rapid Ship

## SMART PACKING

## 4" LOW THRESHOLD DETAILS

Applied acrylic surface creates the smooth, beautiful, long-lasting shower surface

Polyurethane reinforcement, machined to a flush, level surface

Fiberglass resin structure substrate cures to a strong, seamless encasement shell

