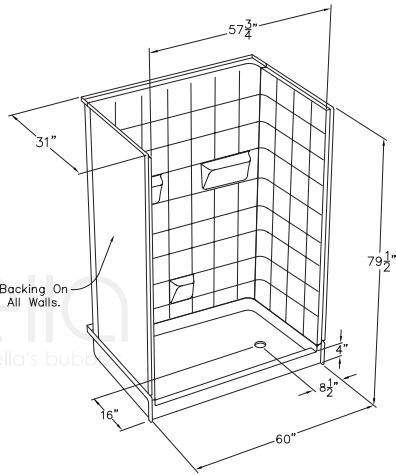


Low Threshold Shower 60" x 30"

Ella Plus 24 - Left or Right Drain



Flat Wall Option

Model #

- | | |
|--------------------------|--------------------------|
| 6030 SH 5P 4.0 L-WH SP24 | 6030 SH 5P 4.0 R-WH SP24 |
| 6030 SH 5P 4.0 L-BN SP24 | 6030 SH 5P 4.0 R-BN SP24 |
| 6030 SH 5P 4.0 L-B SP24 | 6030 SH 5P 4.0 R-B SP24 |

Ella Plus 24 Accessories (page 2):
Hansgrohe & Ponte Giulio are optional



Outside Dimensions: 60" L x 31" W x 79.5" H
Shipping Dimensions: 60" L x 48" W x 72" H
Shipping Weight: 450 lbs.
Net Weight: 437 lbs.
Threshold Height: 4.0"

Package Options:

- White (W), Bone (BN) or Biscuit (B) Shower Panels
- Standard, Plus 24, Plus 36, Freedom, Deluxe, or Elite (premium fixtures in white, brilliant or satin)
- Flange Trim Molding Kit
- Multi-Piece Window Trim Kit
- Flat Wall Option: no soap ledges

Panels:

- Shower Base 31" W x 60" L x 4" H
- Side Wall Panel Left 31" W x 79.5" H
- Side Wall Panel Right 31" W x 79.5" H
- Rear Wall Top Panel 60" L x 35.5" H
- Rear Wall Bottom Panel 60" L x 44" H

Features:

- Premium marine grade gel-coat, five piece shower with 8" classic tile pattern
- Wood and steel reinforced walls for placing grab bars and seats anywhere (not dependent on stud locations)
- Easy shower wall assembly pin-lock system allowing front side installation
- Precision fit wall panel seams (match into grout pattern)
- Grip-Sure™ floor texture
- Molded soap ledges
- Self supporting, pre-leveled shower base (no mudset required)
- Shower door friendly (squared corners allow door installation)
- Ships pre-assembled, heavy duty crating protects product in transit

Accessories:

- [1] Three (3) 24" Fine Finished Stainless Steel Grab Bars
- [2] 24" x 16" Four-Legged Foldup Seat, 500 lb. cap
- [3] 2" Chrome strainer brass drain with friction seal

Codes:

IPC, UPC, ANSI Z 124.2, NAHB, HUD, FHA

Warranty:

30 Year Limited Lifetime Warranty (on shower panels)*

*For more information please visit www.ellasbubbles.com

Low Threshold Shower 60" x 30"

Ella Plus 24 Accessories

1.



Fine Brushed Stainless Steel
Concealed Flange Grab Bars

2.



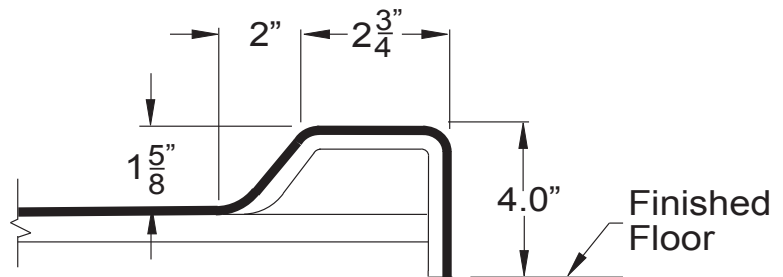
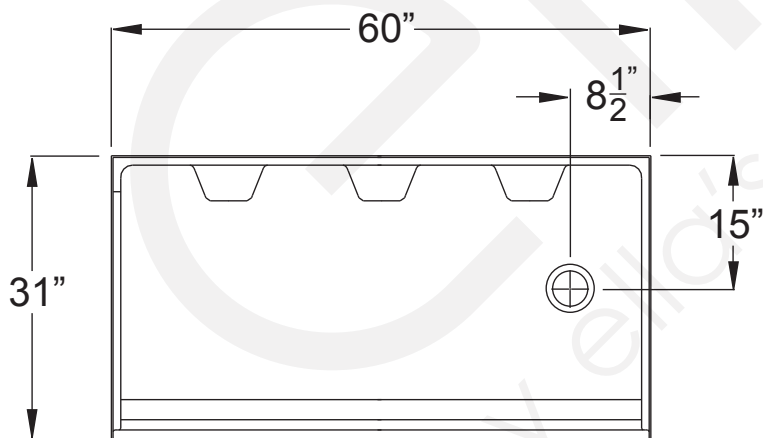
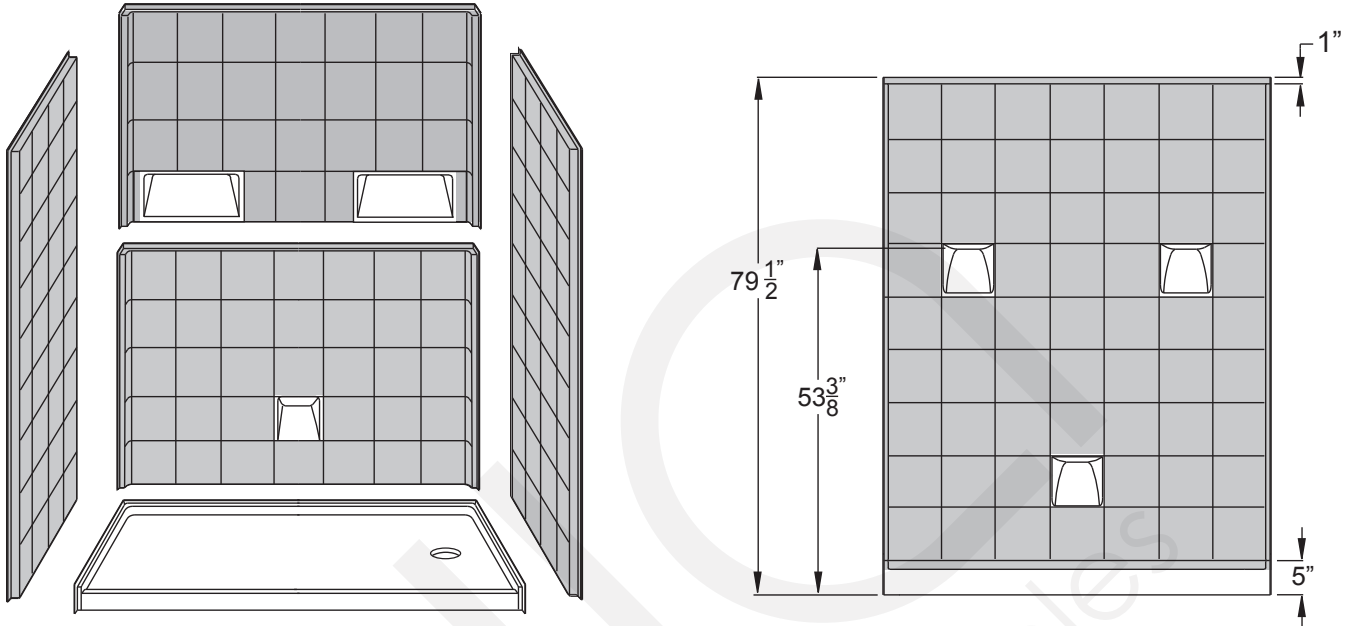
Four Legged Foldup Seat
(500 lbs. Weight Capacity)

3.



2" Chrome Strainer
Brass Drain with Friction Seal

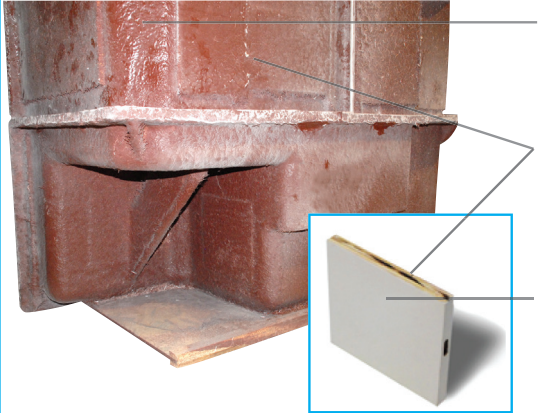
Low Threshold Shower 60" x 30"
6030 SH 5P 4.0 - Left or Right Drain



Low Threshold Shower Features

STRENGTH

Wood & Steel Reinforced Walls



Fiberglass resin structural substrate cures to a seamless strong encasement.

All panels are backed with 3/8" wood, accessories can be installed anywhere.

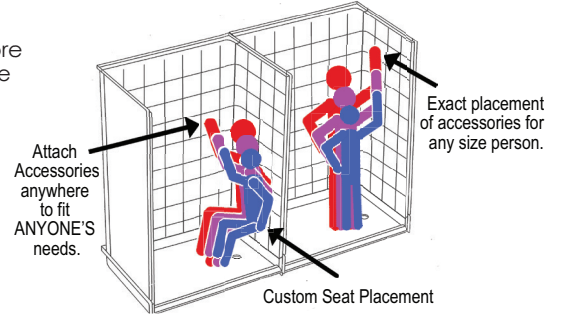
Premium Marine-grade Gel-coat fiberglass surface for beautiful, long-lasting shower surface.

Twice the weight and twice the raw materials used in the construction of our showers than listed by any of our competitors. Wood reinforced core walls and high density base.

ADAPTABILITY

Customized Accessory Placement

The wood reinforced core walls allow the fixtures to be installed right onto the wall studs by eliminating the need for a drywall backing.



SHOWER DOOR FRIENDLY

Your choice: Curtain or Door

Square corners in Ella shower construction allow for framed or frameless shower doors to be installed.

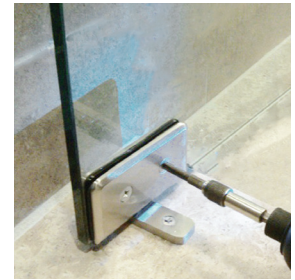
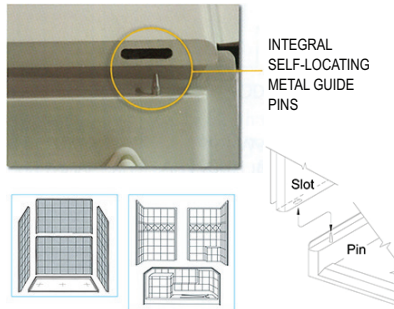


Image for illustration only

FRONT SIDE INSTALLATION

Aluminum Pin and Slot System for a contractor friendly front side installation.

An installation may be finished in a fraction of the time. No more need to get behind the panels to bolt large panels together.



AVAILABILITY

Your Project won't be held up

Ella showers are manufactured, inspected and shipped directly from the factory within 5 - 7 business days.

Rush orders are available upon request (white only). No order is too big or small.



In stock for Rapid Ship

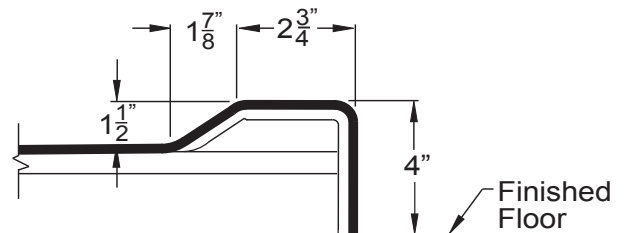
SMART PACKING

4" LOW THRESHOLD DETAILS

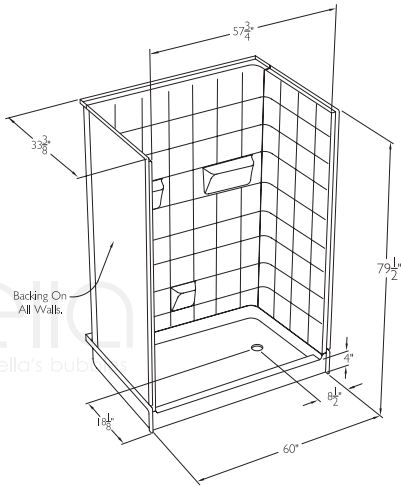
Gelcoat fiberglass surface creates the smooth, beautiful, long-lasting shower surface

Polyurethane reinforcement, machined to a flush, level surface

Fiberglass resin structure substrate cures to a strong, seamless encasement shell



Low Threshold Shower 60" x 33" **Ella Plus 24** - Left or Right Drain



Flat Wall Option

Model #

- | | |
|--------------------------|--------------------------|
| 6033 SH 5P 4.0 L-WH SP24 | 6033 SH 5P 4.0 R-WH SP24 |
| 6033 SH 5P 4.0 L-BN SP24 | 6033 SH 5P 4.0 R-BN SP24 |
| 6033 SH 5P 4.0 L-B SP24 | 6033 SH 5P 4.0 R-B SP24 |

Ella Plus 24 Accessories (page 2):
Hansgrohe & Ponte Giulio are optional



Outside Dimensions: 60" L x 33.375" W x 79.5" H
Shipping Dimensions: 60" L x 48" W x 72" H
Shipping Weight: 450 lbs.
Net Weight: 437 lbs.
Threshold Height: 4.0"

Package Options:

- White (W), Bone (BN) or Biscuit (B) Shower Panels
- Standard, Plus 24, Plus 36, Freedom, Deluxe, or Elite (premium fixtures in white, brilliant or satin)
- Flange Trim Molding Kit
- Multi-Piece Window Trim Kit
- Flat Wall Option: no soap ledges

Panels:

- Shower Base 33.375" W x 60" L x 4" H
- Side Wall Panel Left 33.375" W x 79.5" H
- Side Wall Panel Right 33.375" W x 79.5" H
- Rear Wall Top Panel 60" L x 35.5" H
- Rear Wall Bottom Panel 60" L x 44" H

Features:

- Premium marine grade gel-coat, five piece shower with 8" classic tile pattern
- Wood and steel reinforced walls for placing grab bars and seats anywhere (not dependent on stud locations)
- Easy shower wall assembly pin-lock system allowing front side installation
- Precision fit wall panel seams (match into grout pattern)
- Grip-Sure™ floor texture
- Molded soap ledges
- Self supporting, pre-leveled shower base (no mudset required)
- Shower door friendly (squared corners allow door installation)
- Ships pre-assembled, heavy duty crating protects product in transit

Accessories:

- [1] Three (3) 24" Fine Finished Stainless Steel Grab Bars
- [2] 24" x 16" Four-Legged Foldup Seat, 500 lb. cap
- [3] 2" Chrome strainer brass drain with friction seal

Codes:

IPC, UPC, ANSI Z 124.2, NAHB, HUD, FHA

Warranty:

30 Year Limited Lifetime Warranty (on shower panels)*

*For more information please visit www.ellasbubbles.com

Low Threshold Shower 60" x 33"

Ella Plus 24 Accessories

1.



Fine Brushed Stainless Steel
Concealed Flange Grab Bars

2.



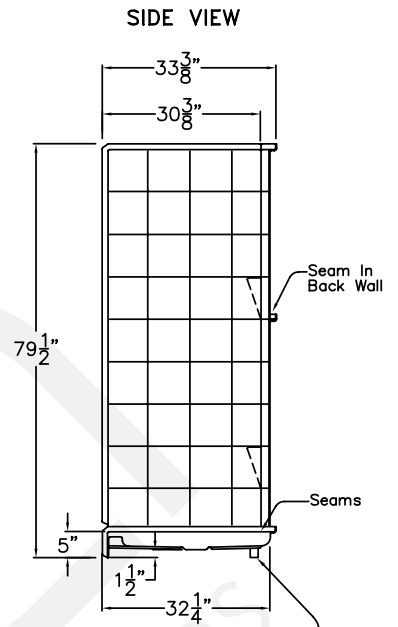
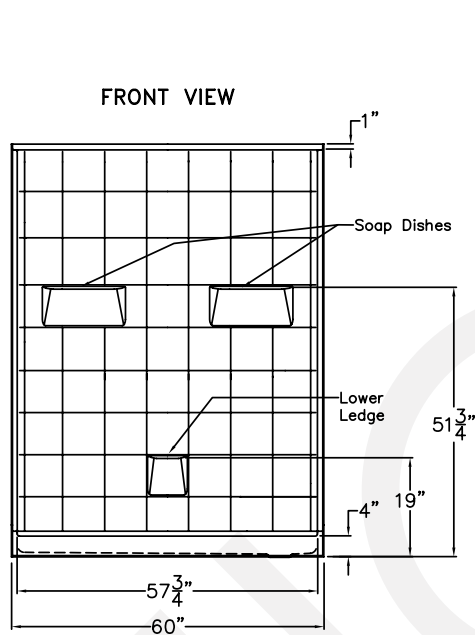
Four Legged Foldup Seat
(500 lbs. Weight Capacity)

3.

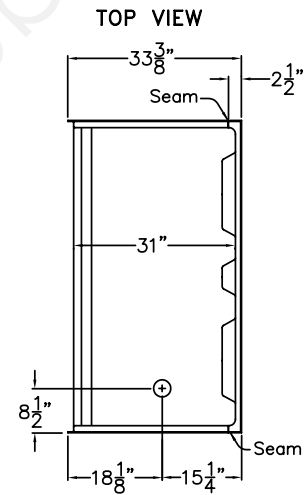
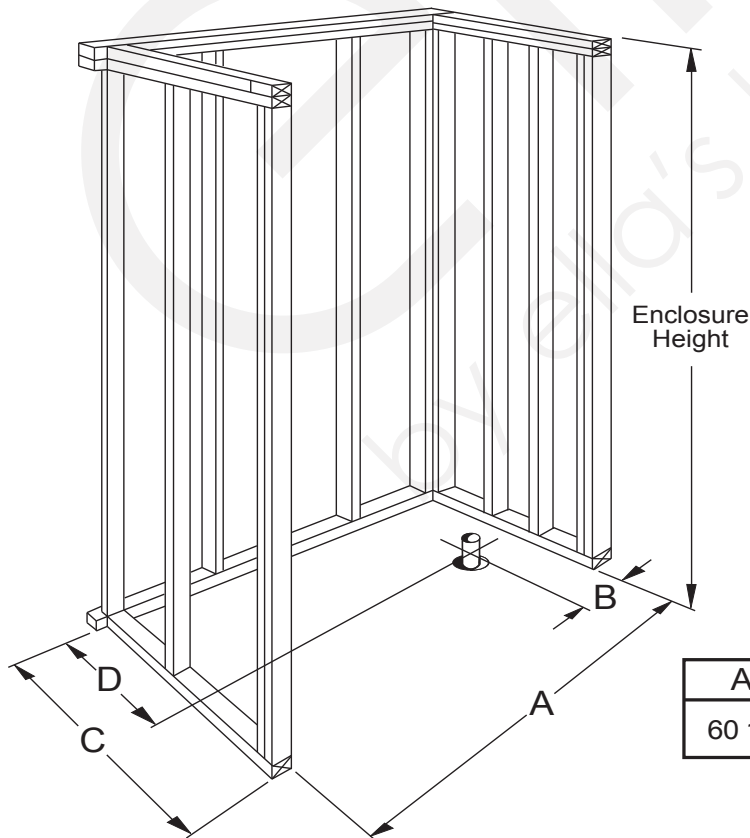


2" Chrome Strainer
Brass Drain with Friction Seal

Low Threshold Shower 60" x 33" 6033 SH 5P 4.0 - Left or Right Drain



Wood Base with Leveling Leg
Wood bottom with leg will have the base level as it sits on the floor.

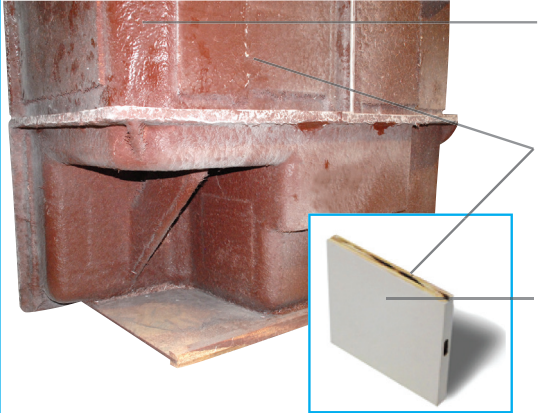


A	B	C	D
60 1/4"	8 1/2"	33 3/8"	15 1/4"

Low Threshold Shower Features

STRENGTH

Wood & Steel Reinforced Walls



Fiberglass resin structural substrate cures to a seamless strong encasement.

All panels are backed with 3/8" wood, accessories can be installed anywhere.

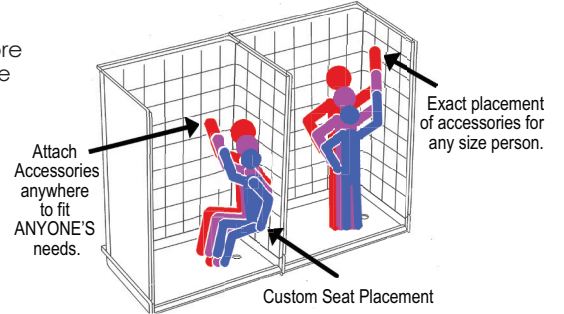
Premium Marine-grade Gel-coat fiberglass surface for beautiful, long-lasting shower surface.

Twice the weight and twice the raw materials used in the construction of our showers than listed by any of our competitors. Wood reinforced core walls and high density base.

ADAPTABILITY

Customized Accessory Placement

The wood reinforced core walls allow the fixtures to be installed right onto the wall studs by eliminating the need for a drywall backing.



SHOWER DOOR FRIENDLY

Your choice: Curtain or Door

Square corners in Ella shower construction allow for framed or frameless shower doors to be installed.

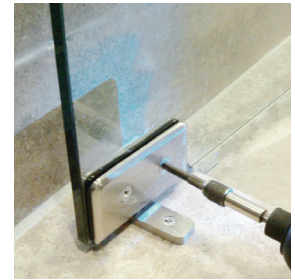
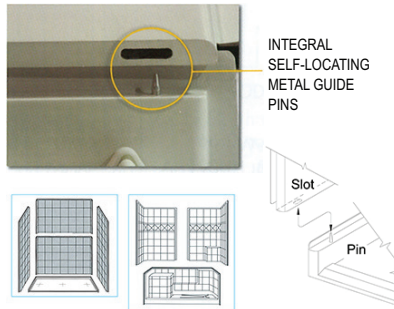


Image for illustration only

FRONT SIDE INSTALLATION

Aluminum Pin and Slot System for a contractor friendly front side installation.

An installation may be finished in a fraction of the time. No more need to get behind the panels to bolt large panels together.



AVAILABILITY

Your Project won't be held up

Ella showers are manufactured, inspected and shipped directly from the factory within 5 - 7 business days.

Rush orders are available upon request (white only).

No order is too big or small.



In stock for Rapid Ship

SMART PACKING

4" LOW THRESHOLD DETAILS

Gelcoat fiberglass surface creates the smooth, beautiful, long-lasting shower surface

Polyurethane reinforcement, machined to a flush, level surface

Fiberglass resin structure substrate cures to a strong, seamless encasement shell

