



Stella
COLLECTION

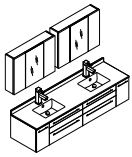
LUCERA

FVN6172-UNS-D

INSTALLATION GUIDE

CONTENTS:

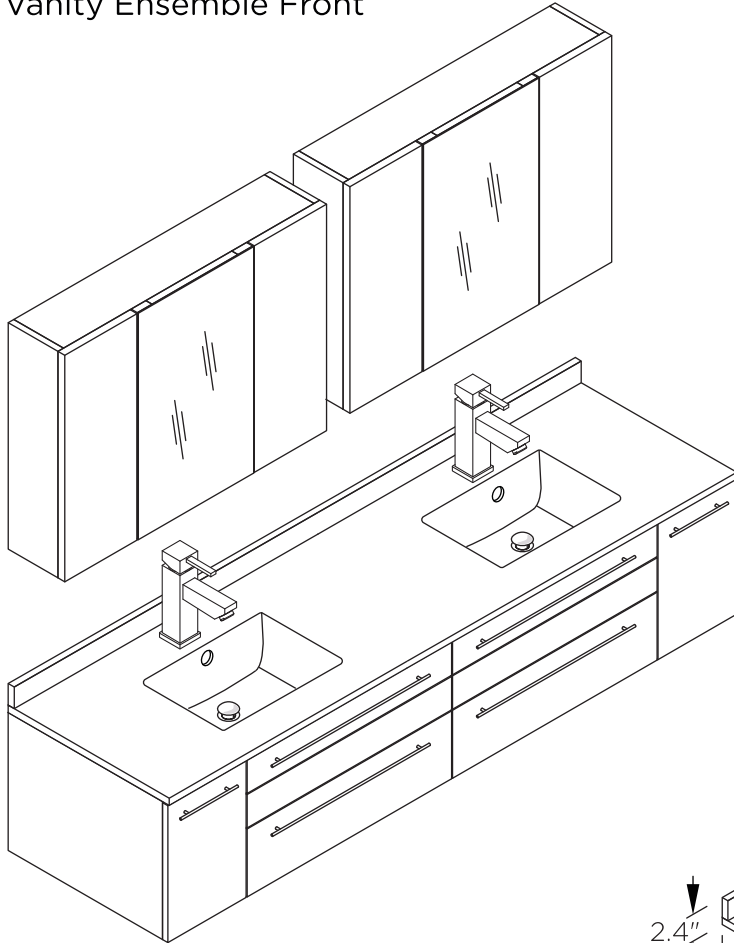
Medicine Cabinet.....	FMC6183.....	PAGE 2
Cabinet.....	FCB6172-UNS.....	PAGE 3
Counter Top / Sink.....	FCT2072WH-D-CMB.....	PAGE 4



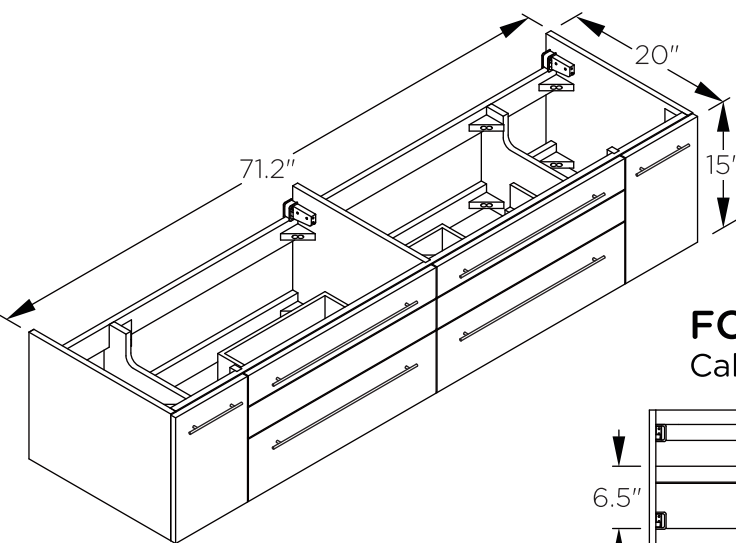
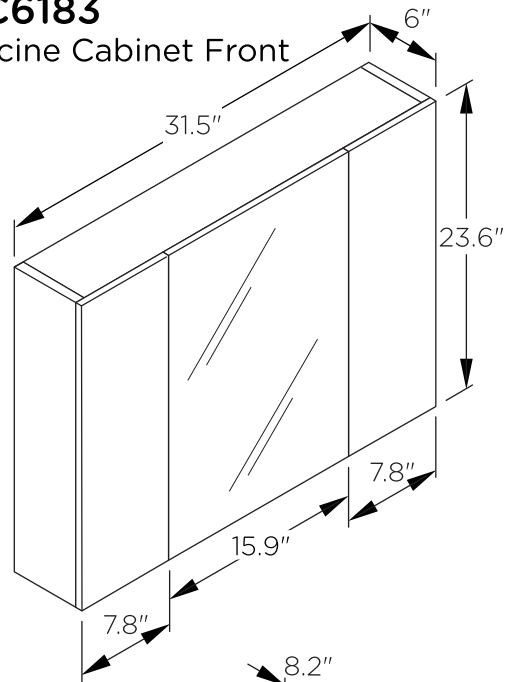
FVN6172-UNS-D LUCERA INSTALLATION GUIDE



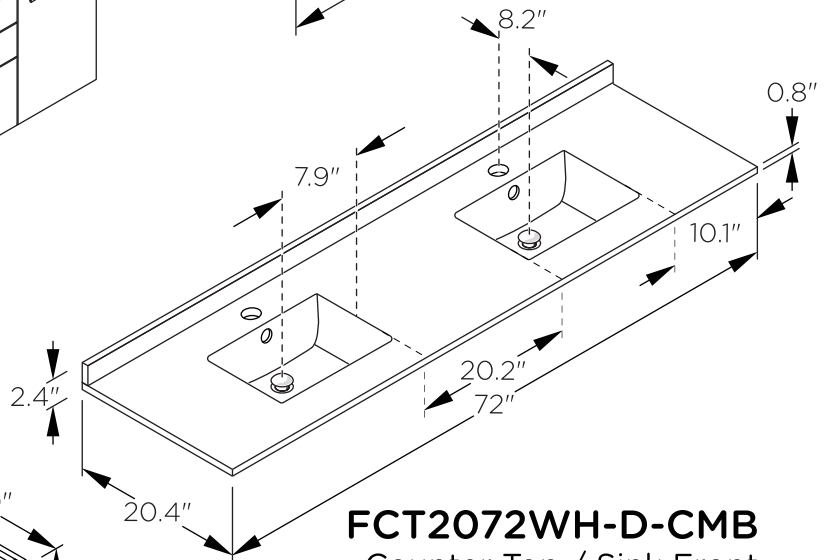
FVN6172-UNS-D
Vanity Ensemble Front



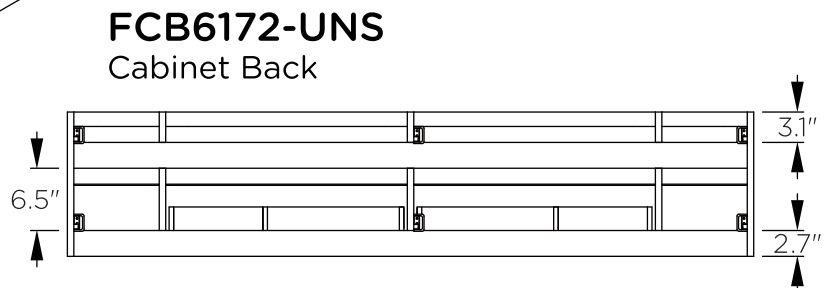
FMC6183
Medicine Cabinet Front



FCB6172-UNS
Cabinet Front

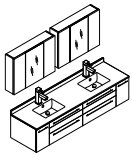


FCT2072WH-D-CMB
Counter Top / Sink Front



FCB6172-UNS
Cabinet Back

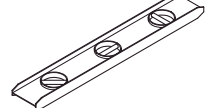
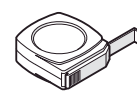
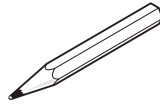
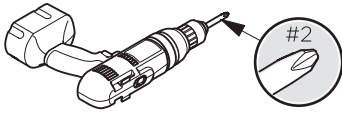
>All dimensions & specifications are approximate and subject to change without notice.



FVN6172-UNS-D LUCERA INSTALLATION GUIDE

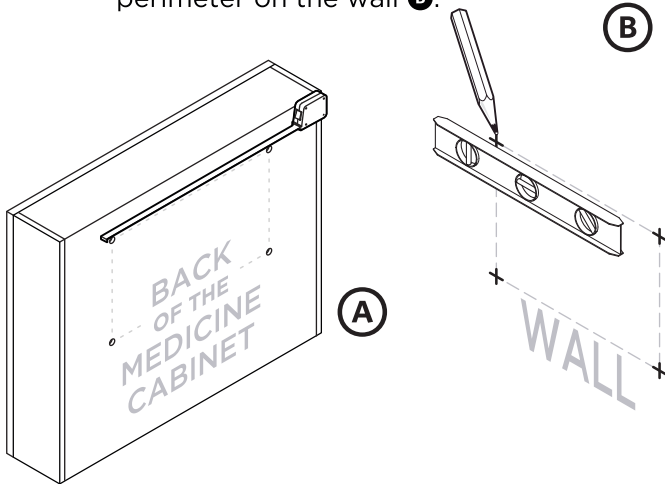


TOOLS FOR ASSEMBLY

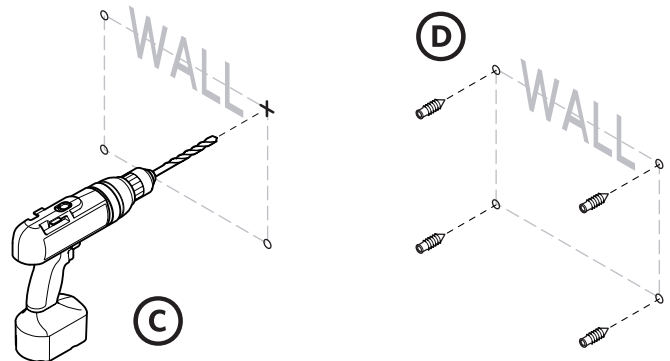


MEDICINE CABINET INSTALLATION

- 1** Measure distance between the mounting holes on the back of medicine cabinet **A** and mark the perimeter on the wall **B**.

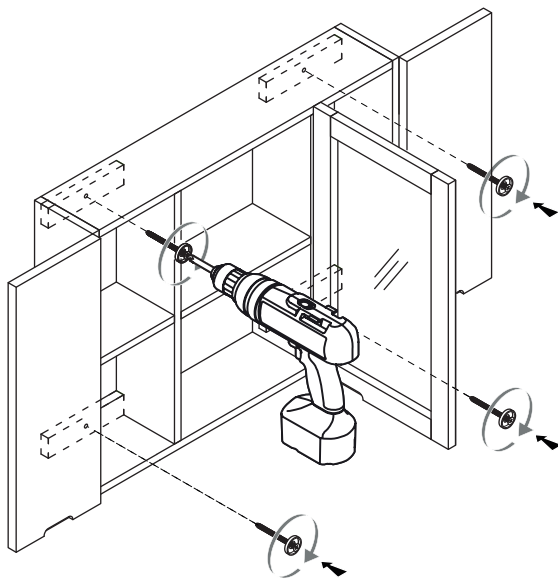


- 2** Once marked, drill the holes in the wall **C**.
*Insert the anchors in the holes **D**.

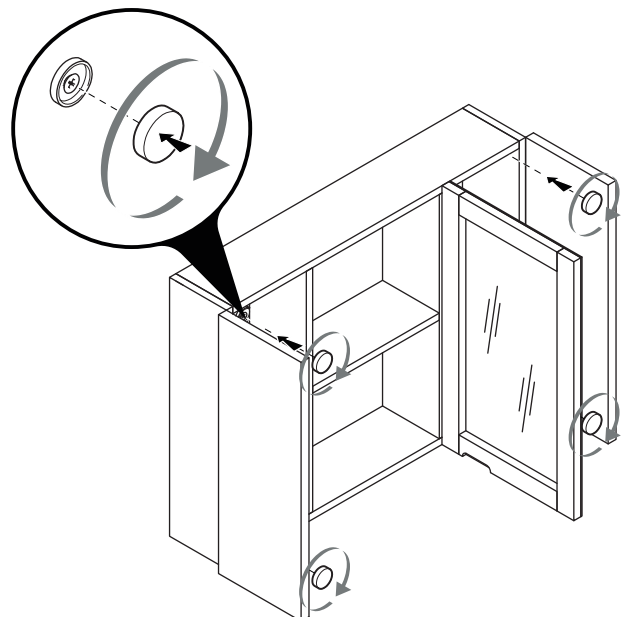


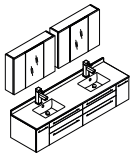
***IMPORTANT:** Consult an expert for the proper screws/bolts to use when attaching to various constructions. Screws provided do not attach to all wall construction types. Anchors are not required if brackets are installed in stud.

- 3** Connect medicine cabinet to the wall using a drill.



- 4** Cover the screws with the screw caps.



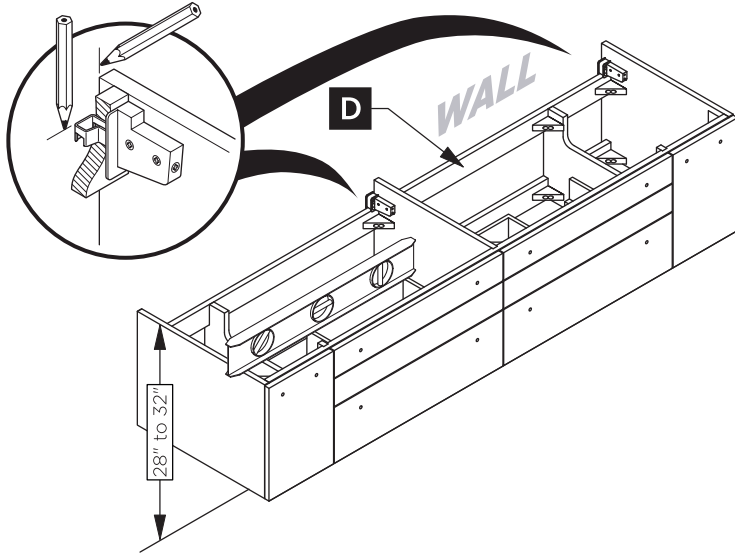


FVN6172-UNS-D LUCERA INSTALLATION GUIDE

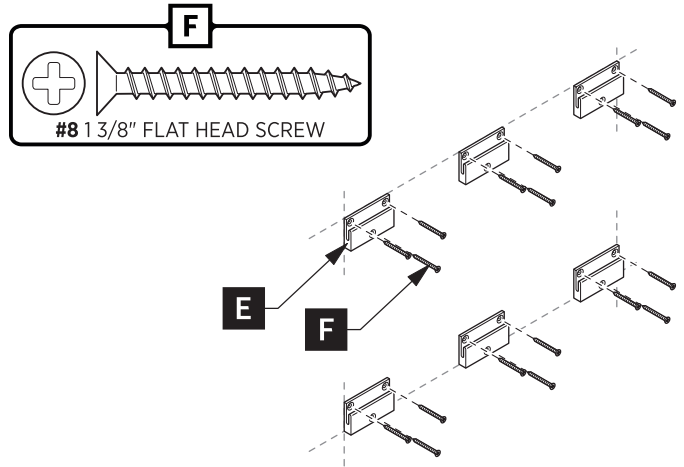


CABINET INSTALLATION

- 1** Place cabinet (D) in designated location and mark the bracket position on the wall.

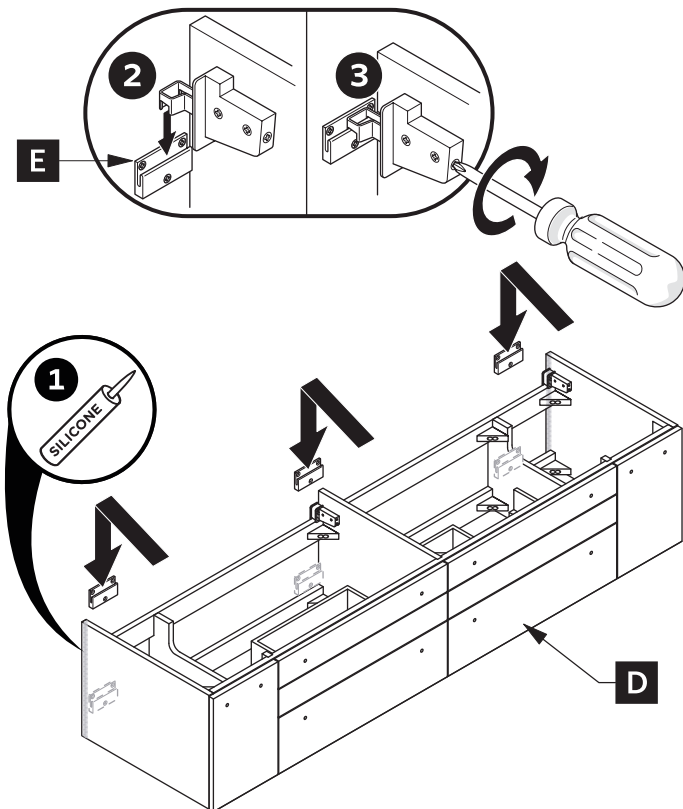


- 2** Attach wall brackets (E) to the wall with the screws (F).

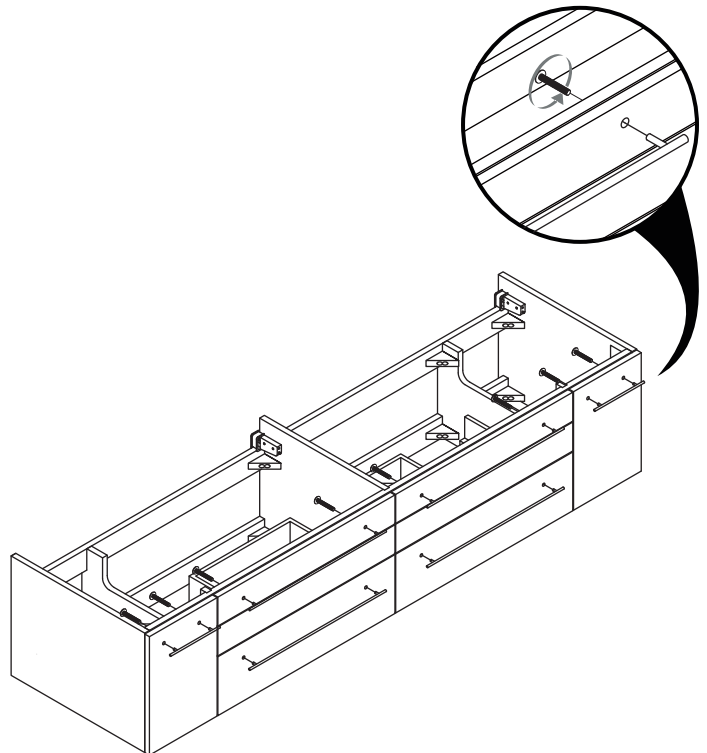


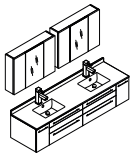
IMPORTANT: Consult an expert for the proper screws/bolts to use when attaching to various constructions. Screws provided do not attach to all wall construction types. Anchors are not required if brackets are installed in stud.

- 3** Apply a bead of the silicone and hang a cabinet (D) on the brackets (E).



- 4** Attach the handles to the cabinet.



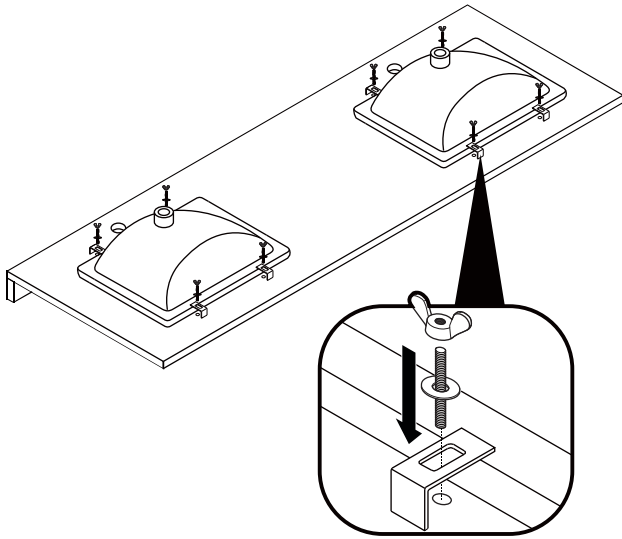


FVN6172-UNS-D LUCERA INSTALLATION GUIDE

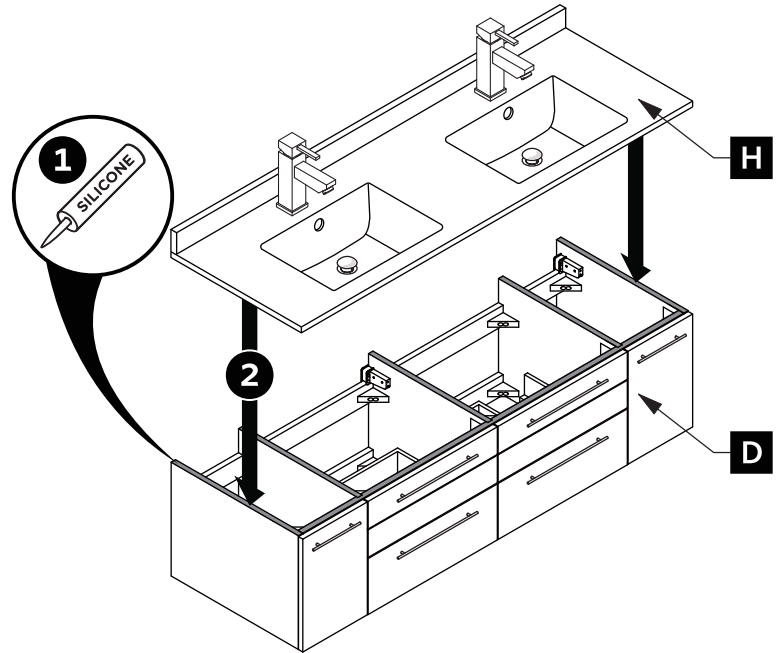


CABINET INSTALLATION

5 Flip the counter top upside down and attach the sinks to it using provided brackets & screws.

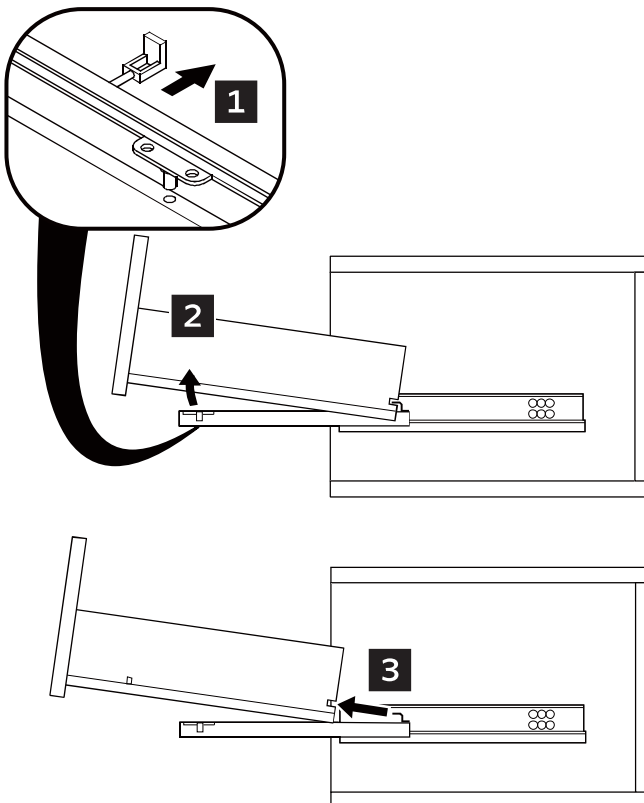


6 Put a bead of silicone on the top of the cabinet (D) then place counter top/ sinks (H) on the top of it.

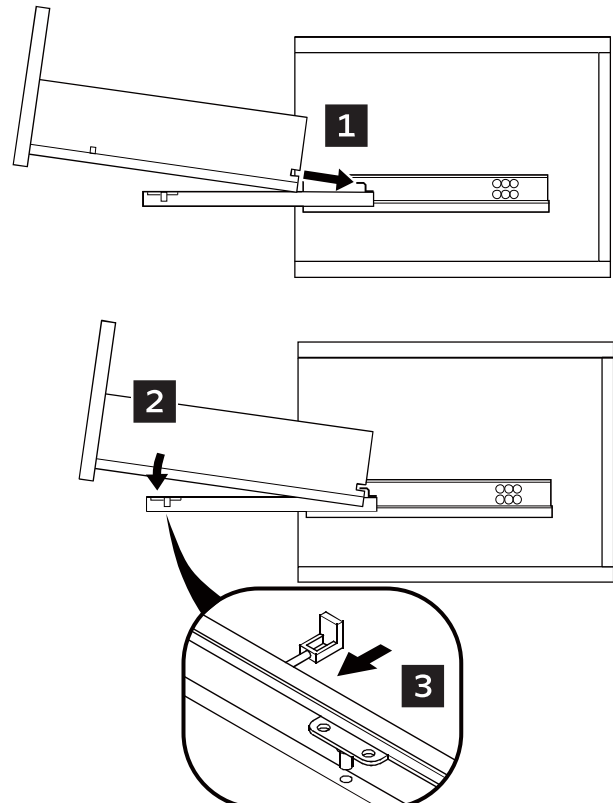


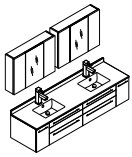
DRAWER REMOVAL & INSTALLATION

DRAWER REMOVAL



DRAWER INSTALLATION





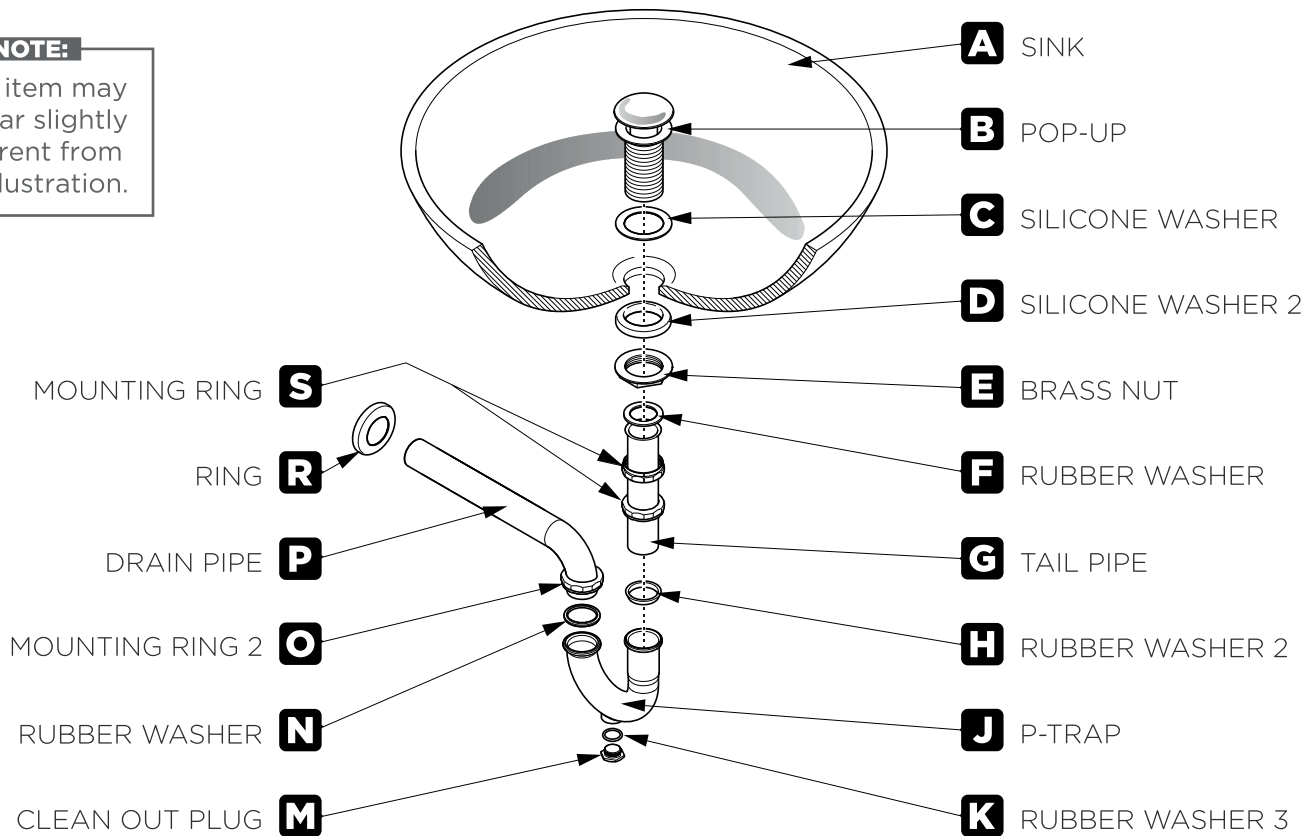
FVN6172-UNS-D LUCERA INSTALLATION GUIDE



P-TRAP AND POP-UP INSTALLATION INSTRUCTIONS

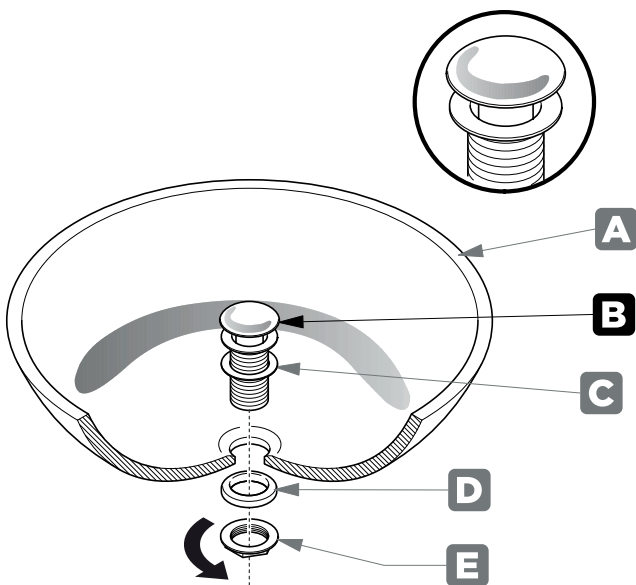
NOTE:

Your item may appear slightly different from the illustration.



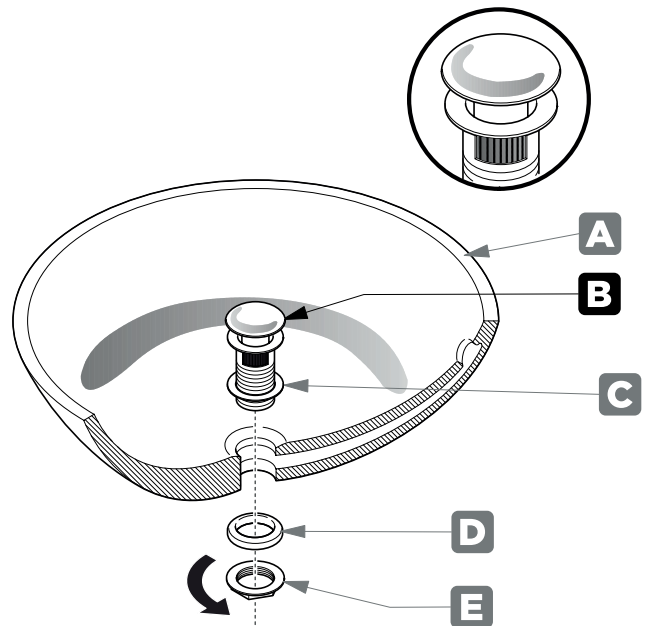
POP-UP INSTALLATION INSTRUCTIONS

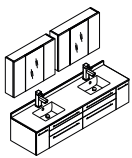
**FOR SINKS
WITHOUT OVERFLOW**



OR

**FOR SINKS
WITH OVERFLOW**



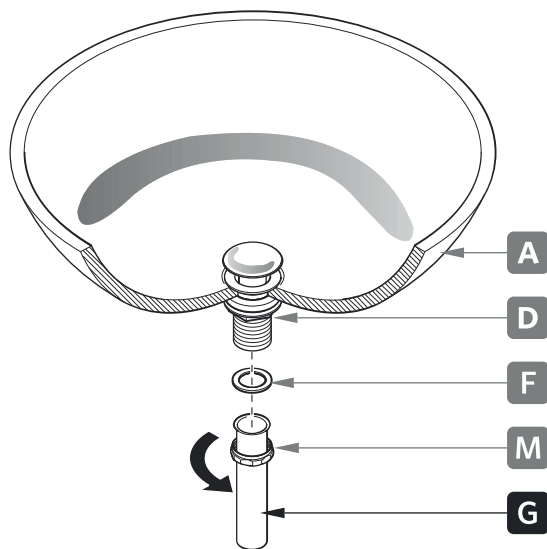


FVN6172-UNS-D LUCERA INSTALLATION GUIDE



P-TRAP INSTALLATION

1 Install a tail pipe (G).



2 Connect a P-trap (J).

