



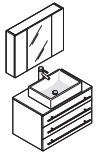
FVN6183

MODELLO

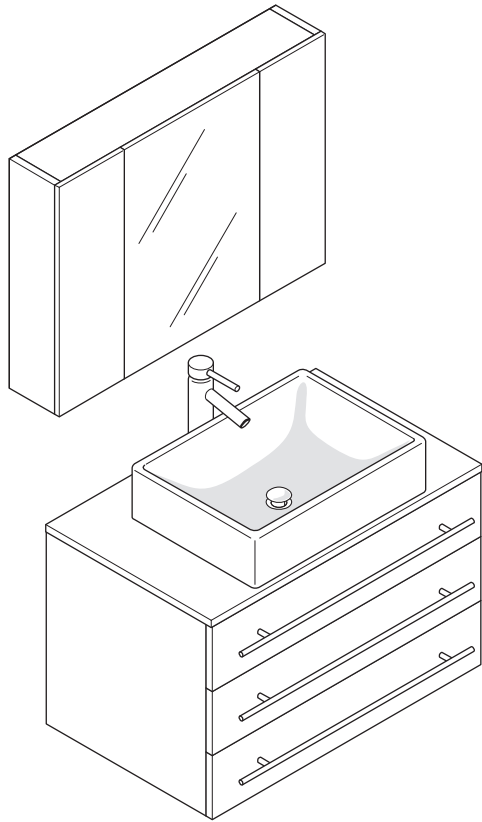
INSTALLATION GUIDE

CONTENTS:

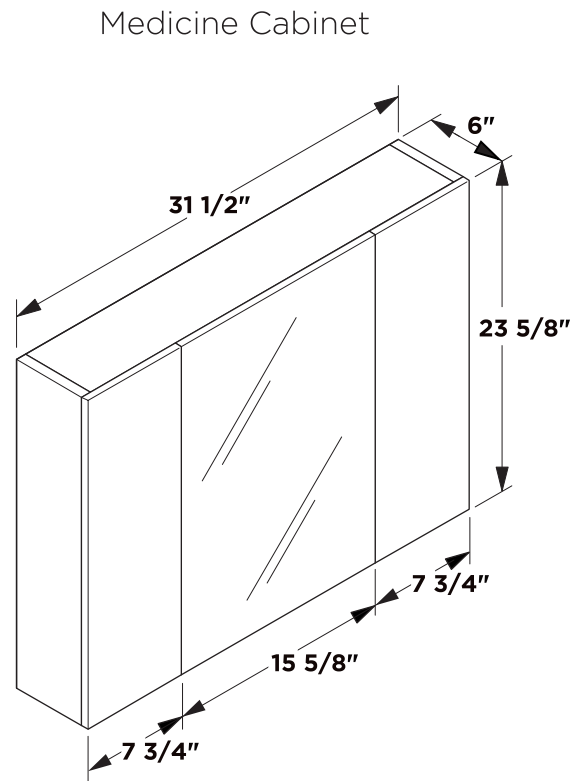
Cabinet	(FCB6183)	PAGE 2
Sink	(FVS6183)	PAGE 2
Countertop	(FCT6183)	PAGE 2
Medicine Cabinet	(FMC6183)	PAGE 3



FVN6183 MODELLO INSTALLATION GUIDE

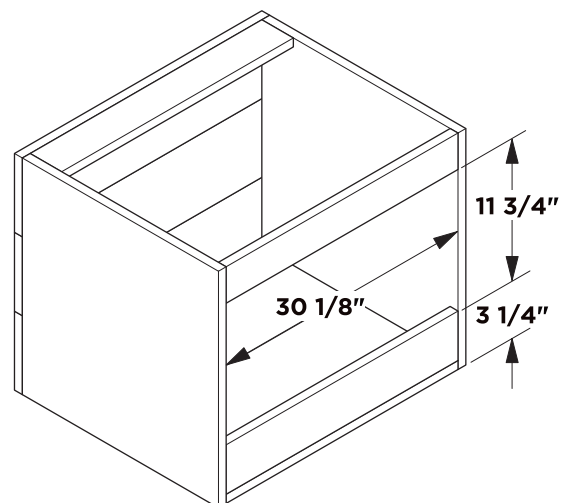
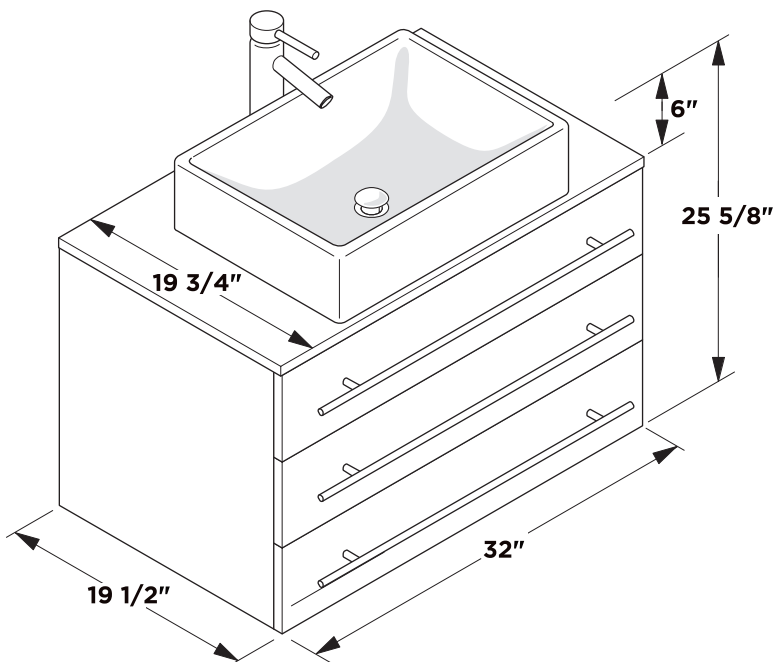


Vanity Front



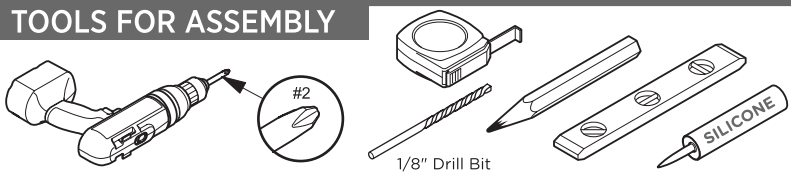
Medicine Cabinet

Vanity Back

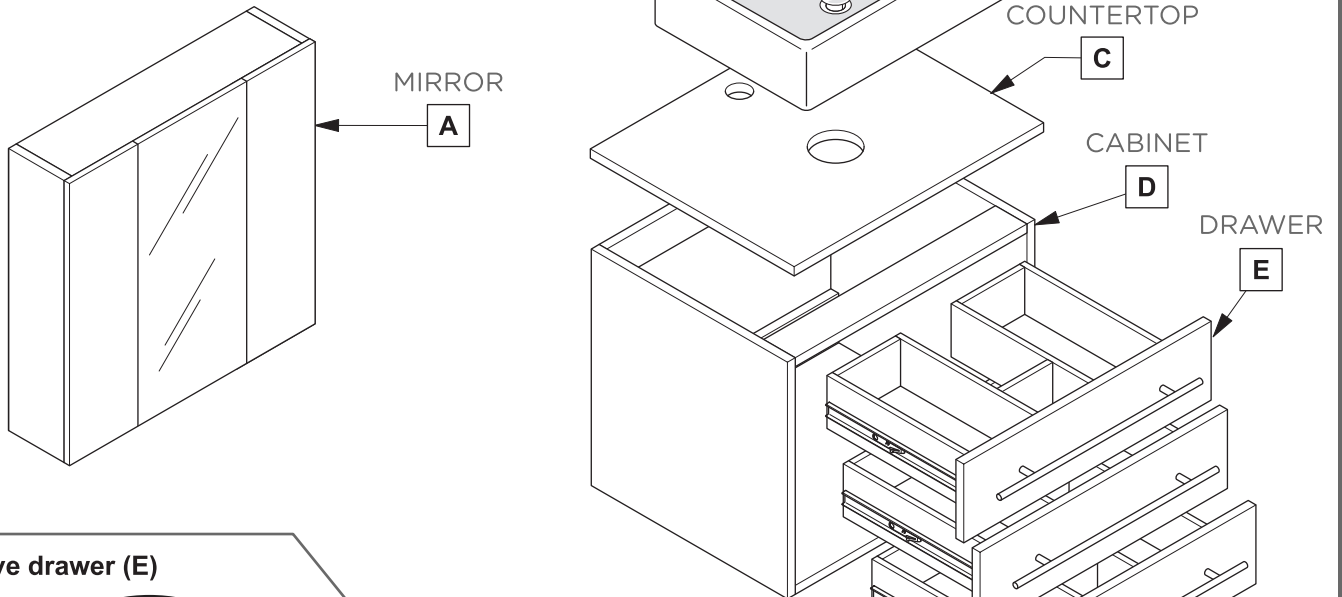


NOTE: ALL DIMENSIONS & SPECIFICATIONS ARE APPROXIMATE AND SUBJECT TO CHANGE WITHOUT NOTICE.

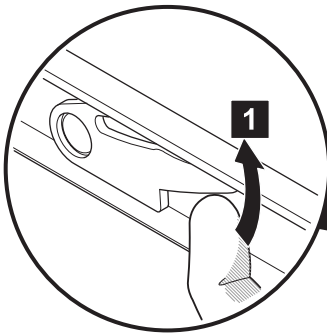
TOOLS FOR ASSEMBLY



PARTS

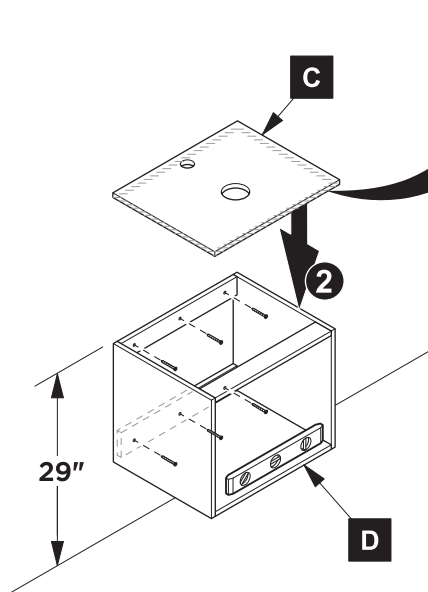


1 Remove drawer (E)



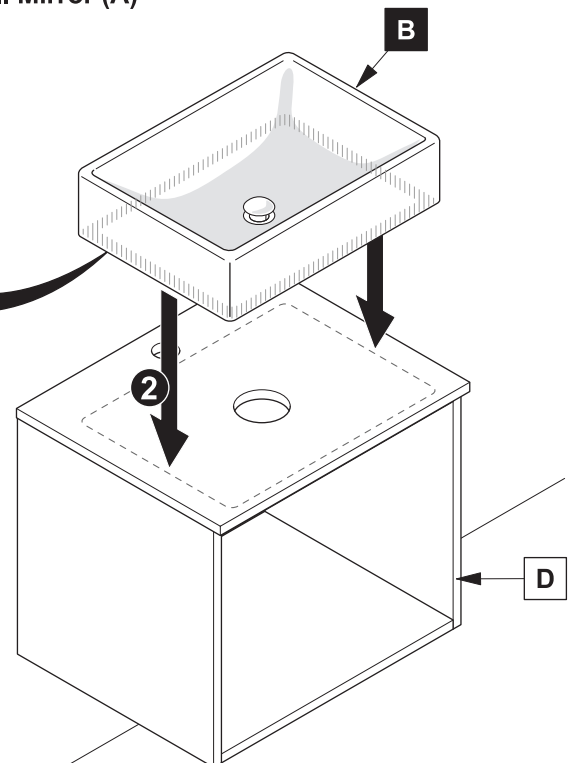
2 Install cabinet (D)

3 Apply silicone and install countertop (C)

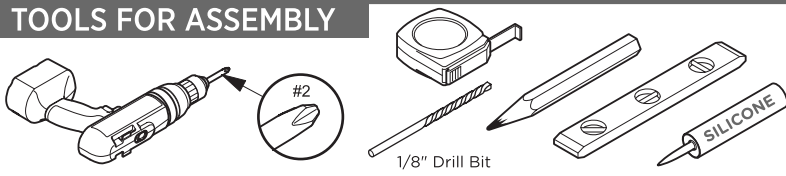


4 Apply silicone and install sink (B)

5 Install Mirror (A)

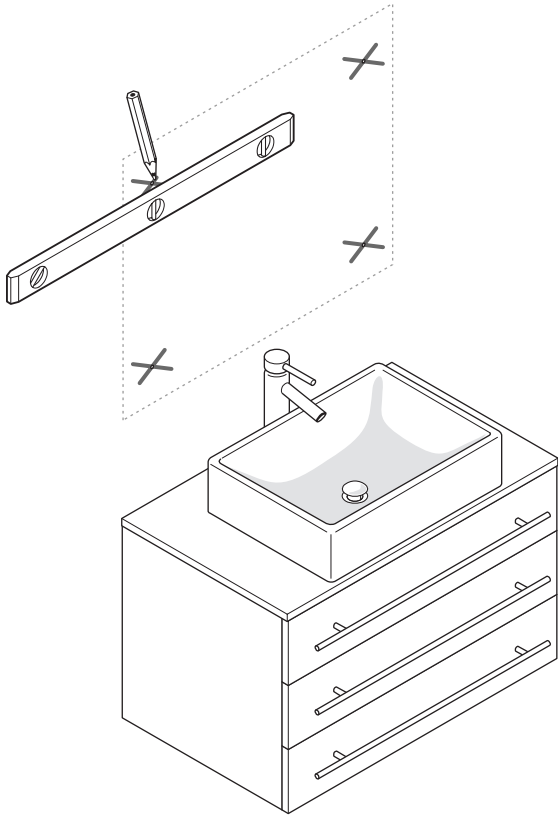


TOOLS FOR ASSEMBLY



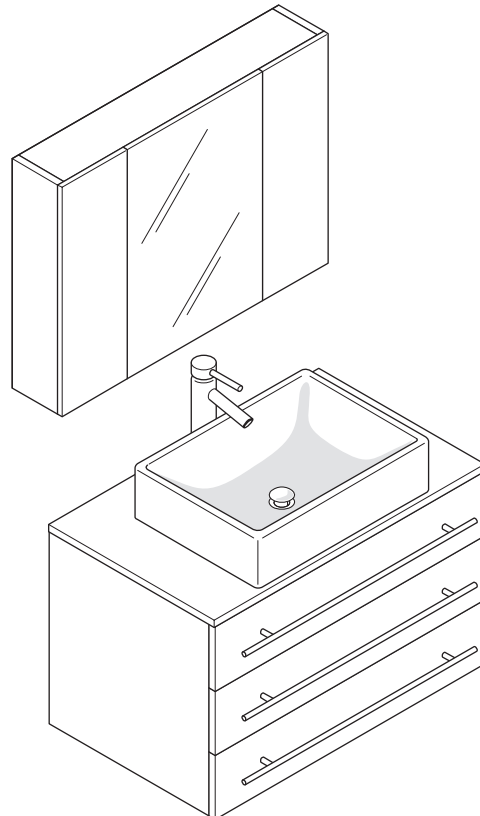
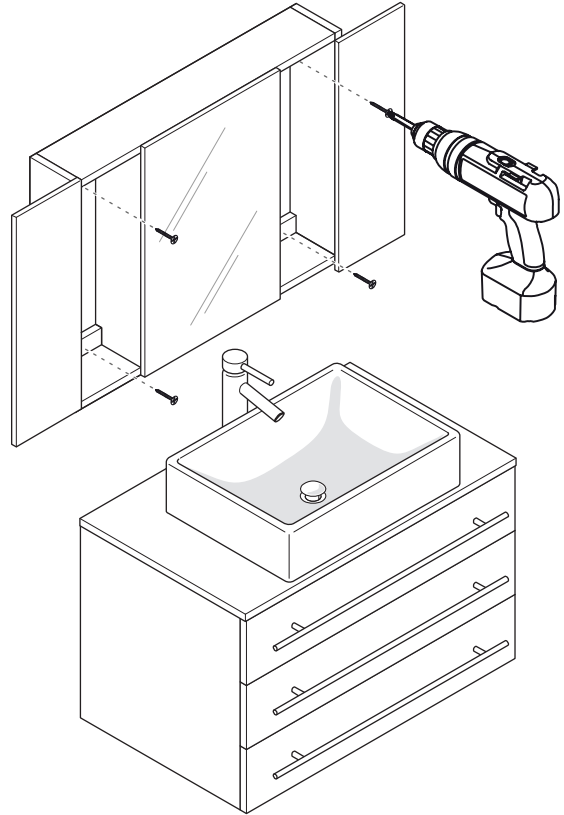
**MIRRORED CABINET
INSTALLATION**

1 Mark the wall using a level for the mounting position.



NOTE: Consult an expert for the proper screws & bolts to use when attaching to various constructions. Screws provided *do not* attach to all wall construction types.

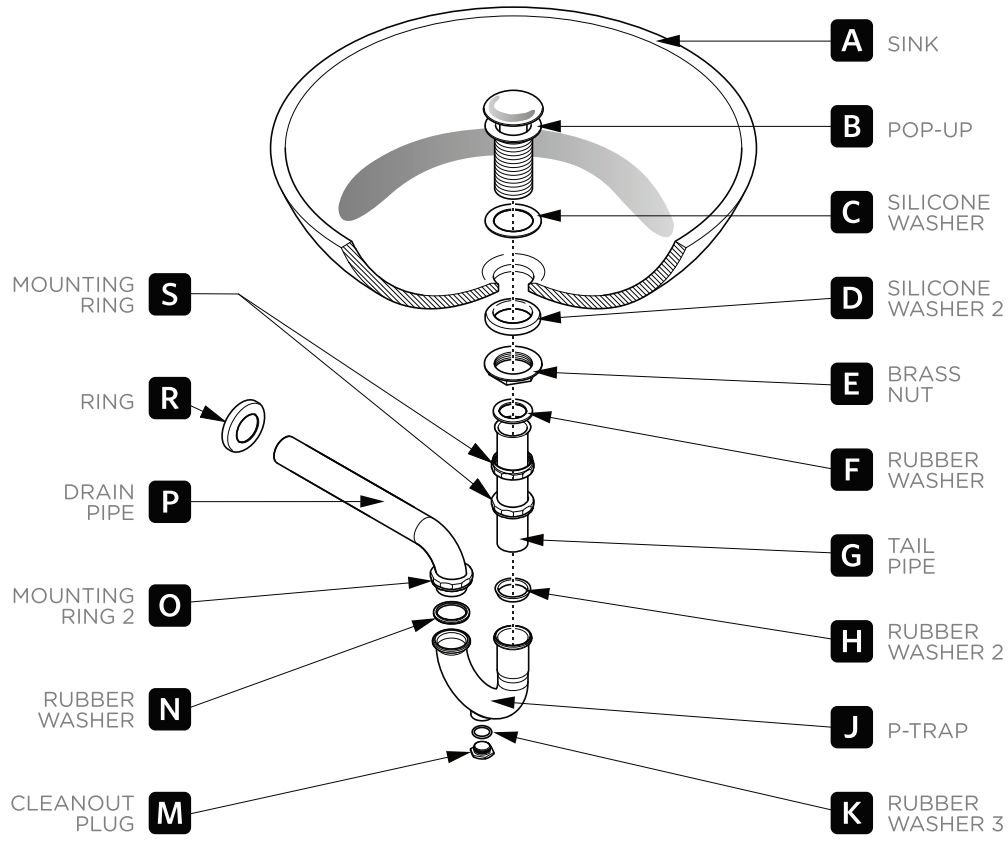
2 Place then attach cabinet to the wall with the screws using a drill.



**FVN6183
MODELLO
INSTALLATION GUIDE**

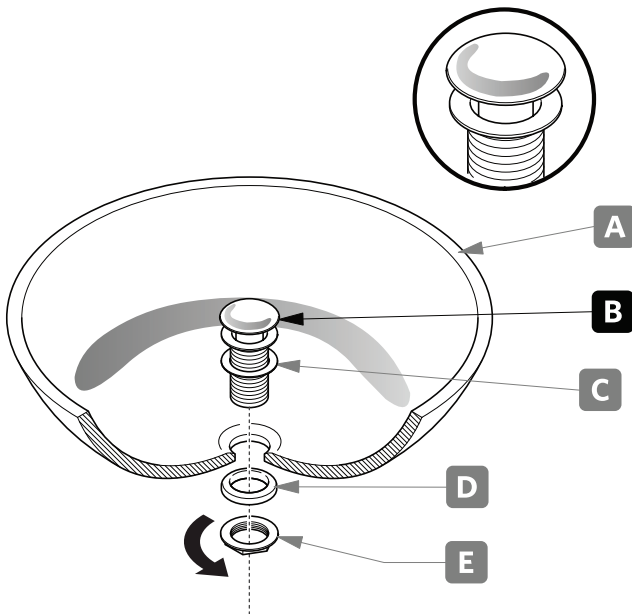
P-TRAP & POP-UP INSTALLATION INSTRUCTIONS

Your item may appear slightly different from the illustration.



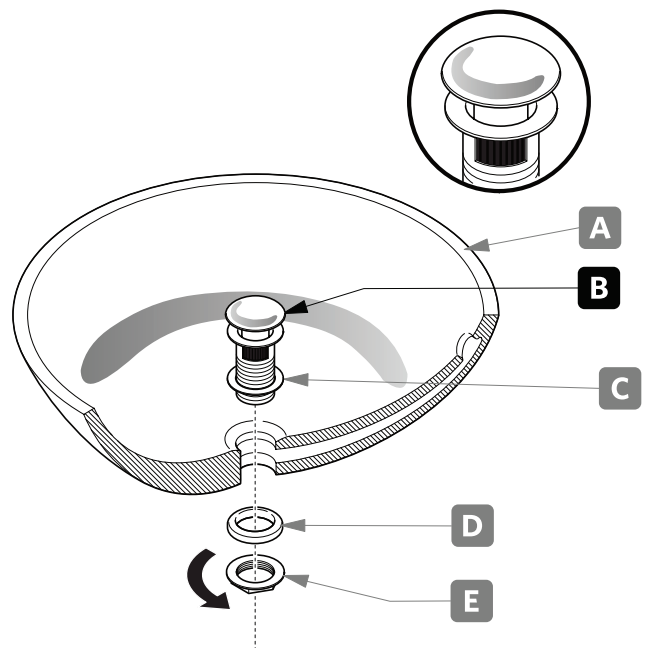
POP-UP INSTALLATION

**FOR SINKS
WITHOUT OVERFLOW**



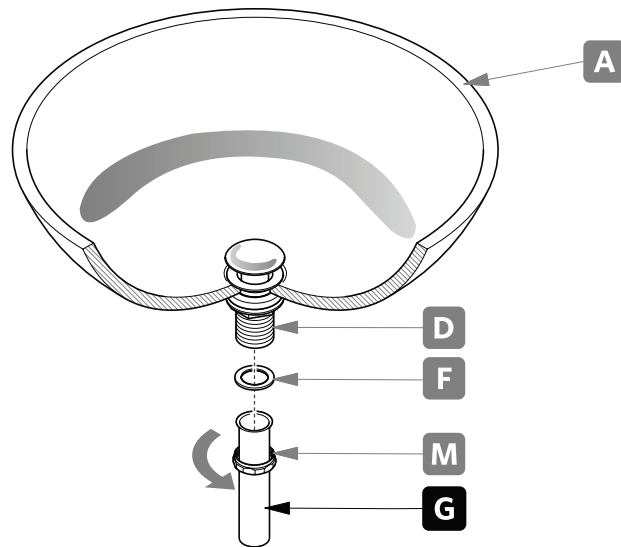
OR

**FOR SINKS
WITH OVERFLOW**



P-TRAP INSTALLATION

1. Install tail pipe **(G)**.



2. Install P-trap **(J)**.

