

# TOTO®

# CWT437117MFG#WH

## MH® Wall-Hung Toilet, 1.28GPF & 0.9GPF

### FEATURES

#### **MH Bowl**

- 3D TORNADO FLUSH® system, high efficiency (1.28GPF/0.9GPF)
- CEFIONTECT® ceramic glaze - prevents debris, mold from sticking to ceramic surfaces
- Universal Height
- D-shape front bowl

#### **SoftClose® Seat**

- D-shape closed front toilet seat and cover with SoftClose hinge system
- Mounting hardware included
- Made from Urea-resin
- Quick release hinges for easier cleaning

#### **DuoFit® In-Wall Tank**

- Dual flushing system, high-efficiency (1.28GPF/4.8LPF & 0.9GPF/3.4LPF) Avg. flush 1.03GPF
- Adjustable 15" -19" mounting height
- Saves up to 9" of floor space compared to standard floor-mounted toilet
- Supports up to 880lbs
- Commercial 2" x 6" or optional residential installation with 2" x 4" wall studs with waste outlet kit
- Copper supply line

### KIT COMPONENTS

- CT437FG#01  
MH Wall-Hung Toilet
- WT172M  
In-Wall Tank System (Copper Pipe)
- SS117#01  
SoftClose® Seat
- YT920#WH  
White Matte Push Plate

#### **Available Options**

- YT920#WH - White Matte Basic Square Push Plate
- YT920#MS - Matte Silver Basic Square Push Plate
- YT930#WH - White Matte Basic Round Push Plate
- YT970#SS - Stainless Steel Wall Square Push Plate
- YT980#SS - Stainless Steel Wall Round Push Plate

### COLORS/FINISHES

- Standard  
#01 Cotton



**3D TORNADO FLUSH**



**CEFIONTECT**



**Skirted Design**

### CODES/STANDARDS

- Meets and exceeds:
  - Bowl: ASME A112.19.2/CSA B45.1, ASME A112.19.14
  - Carrier System: ASME A112.6.2
  - Tank Trim: IAPMO PS50, CSA B125.3, ASSE1002
- Certifications: IAPMO (cUPC), EPA WaterSense State of Massachusetts, City of Los Angeles and others
- Legislative compliance: California AB715, California Green Building Code, City of Los Angeles Water Efficiency Ordinance
- Code Compliance: UPC, IPC, NSPC, NPC Canada, and others
- Complies with CA Prop 65 warning requirements



# CWT437117MFG#WH

## MH® Wall-Hung Toilet, 1.28GPF & 0.9GPF

### PRODUCT SPECIFICATIONS

	CT437FG	SS117	WT172M
<b>Water Use</b>	1.28GPF & 0.9GPF (4.8LPF & 3.4LPF)		1.28GPF & 0.9GPF (4.8LPF & 3.4LPF)
<b>Flush System</b>	3D TORNADO FLUSH®		Dual-Max®
<b>Min. Water Pressure</b>	8 psi (static)		8 psi (static)
<b>Water Surface</b>	5-1/2" X 4-1/8"		
<b>Trap Diameter</b>	2-1/8"		
<b>Installation Height</b>	15" to 19"		15" to 19"
<b>Trap Seal</b>	2-1/8"		
<b>Warranty</b>	One Year Limited Warranty	One Year Limited Warranty	One Year Limited Warranty
<b>Material</b>	Vitreous China	Urea-resin	Various
<b>Shipping Weight</b>	68 lbs	9 lbs	38 lbs
<b>Shipping Dimensions</b>	22" L x 14.6" W x 16.5" H	20-5/8" x 19-1/8" x 3-1/4"	48" L x 26-1/2" W x 6" H

#### CT437FG

This universal height, high efficiency 3D Tornado flushing system toilet shall be 1.28GPF & 0.9GPF. Toilet shall have CEFIONTECT ceramic glaze. Toilet shall be mounted to in-wall tank system, D-shape front bowl and wall-mounted push-button type trip lever. Toilet shall be TOTO Model CT437FG#01.

#### SS117

Seat shall be made from Urea-resin for both the seat and seat cover. The seat installation is top mount installation with adjustable hinge plates and stainless steel hinge caps.

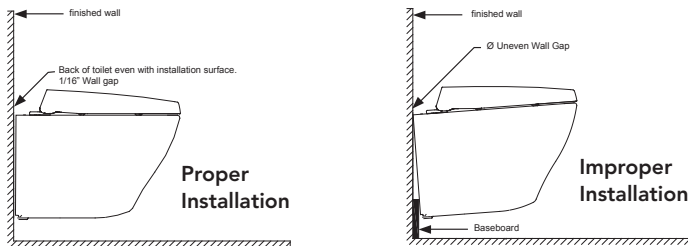
#### WT172M

This universal height, high-efficiency, dual flushing, in-wall tank system toilet shall be 1.28GPF & 0.9GPF. Requires TOTO toilet model CT437FG. In-Wall tank system shall be TOTO Model WT172M.

### INSTALLATION NOTES

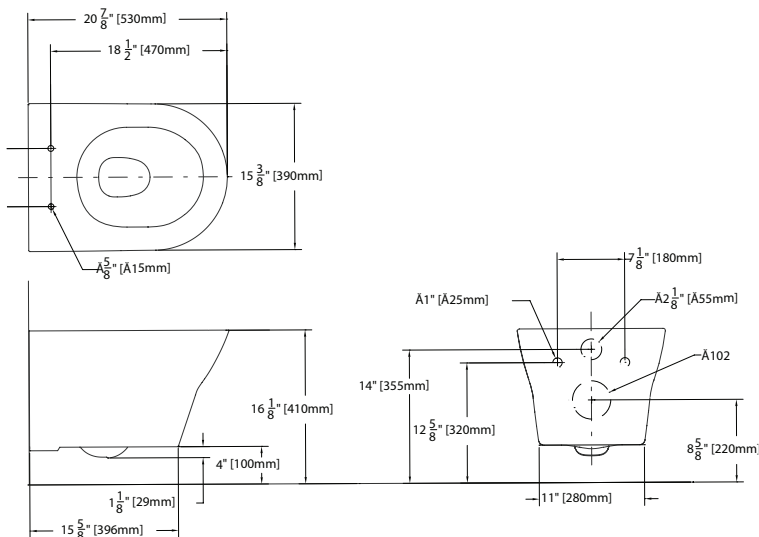
#### WT172M

- Adequate structural bracing is required

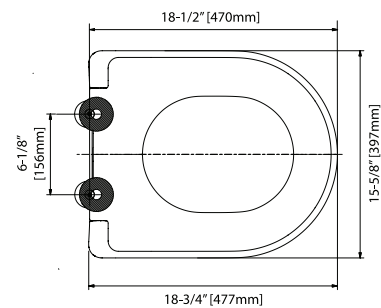


### PRODUCT DIMENSIONS

#### CT437FG



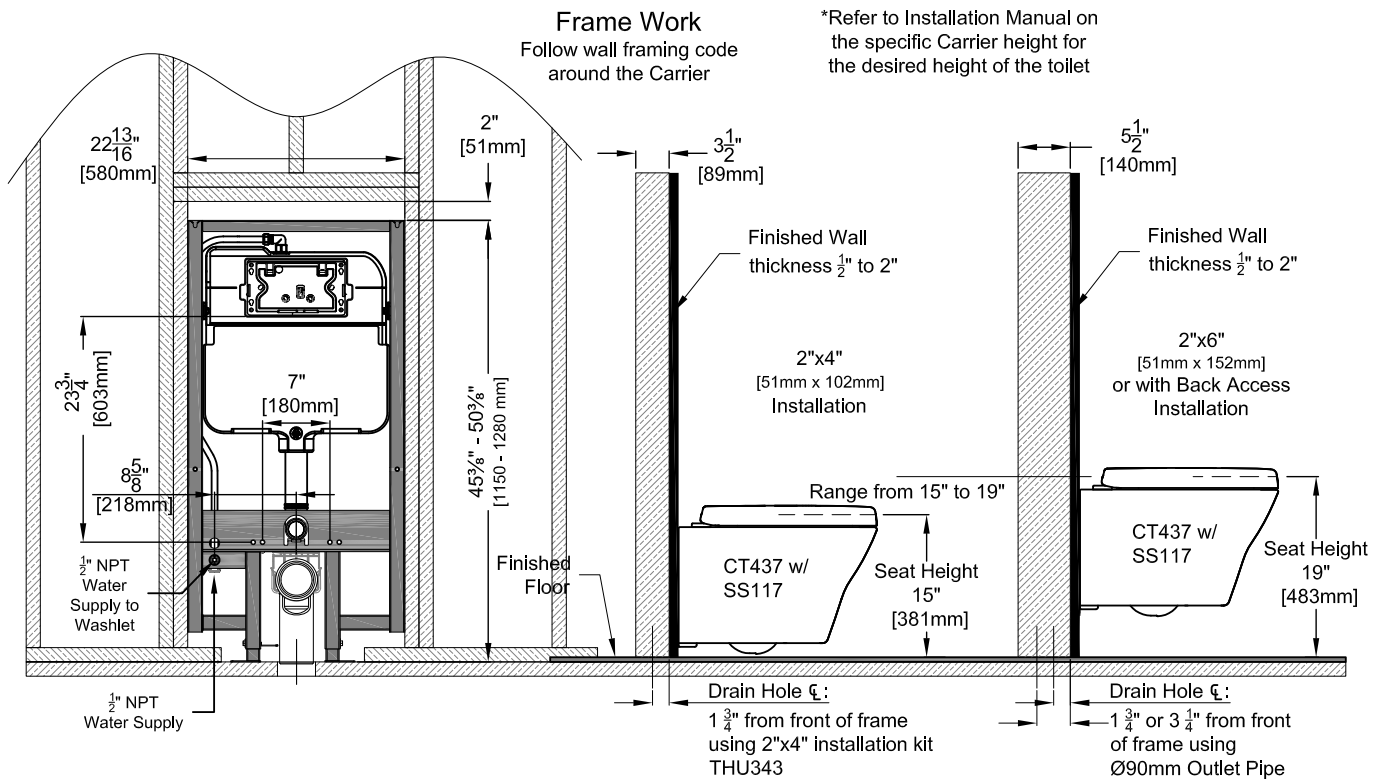
#### SS117



# CWT437117MFG#WH

## MH<sup>®</sup> Wall-Hung Toilet, 1.28GPF & 0.9GPF

### WT172M



**TOTO**

*These dimensions and specifications are subject to change without notice*