

Clayton® 66" x 34" Air Bath™

FEATURES

- 66" x 34" x 25-1/8"
- Luxuriously deep bathing well
- Cast-acrylic construction provides high durability
- Slip-resistant surface
- 1hp ultra-quiet blower
- 300 watt heated air injection system
- Final purge/drying cycle to clean each air jet
- Optional solid brass grab bar with various finishes
- LED lighting
- Multi-functional Remote
 - Normal Mode: Fully adjustable massage level for just the right amount of comfort
 - Pulsating Mode: Powerful, penetrating massage
 - Oscillation Mode: Wave-like, soothing massage

MODELS

- ABR785T
Acrylic bathtub. Slip-resistant surface.
Left blower
- ABR785S
Acrylic bathtub. Slip-resistant surface.
Right blower

COLORS/FINISHES

- Shell Color
 - #01 Cotton
 - #12 Sedona Beige
- Grab Bar
 - #CP Polished Chrome
 - #BN Brushed Nickel
 - #PN Polished Nickel
- Jet Trim
 - Color matched caps

CODES/STANDARDS

- Meets and exceeds ASME A112.19.7M, CSA B45.10, UL 1795, CSA C22.2 #218.2
- Certifications: IAPMO(cUSPC), Intertek/ETL, State of Massachusetts, City of Los Angeles and others
- Code Compliance: USPC, IPC, NSPC, NPC Canada, and others
- Complies with CA Prop 65 warning requirements



PRODUCT SPECIFICATION

The TOTO® Clayton® Air Bath™ shall have a luxuriously deep bathing well. The Air Bath shall have a cast-acrylic construction that provides high durability with a slip-resistant surface. The Air Bath shall have a 1hp ultra-quiet blower, a 300 watt heated air injection system and a final purge/drying cycle to clean each air jet. The Air Bath shall have an optional solid brass grab bar with various finishes, LED lighting and a multi-functional remote. Air Bath shall be **TOTO Model ABR785** ____ .

ABR785

Clayton® 66" x 34" Air Bath™

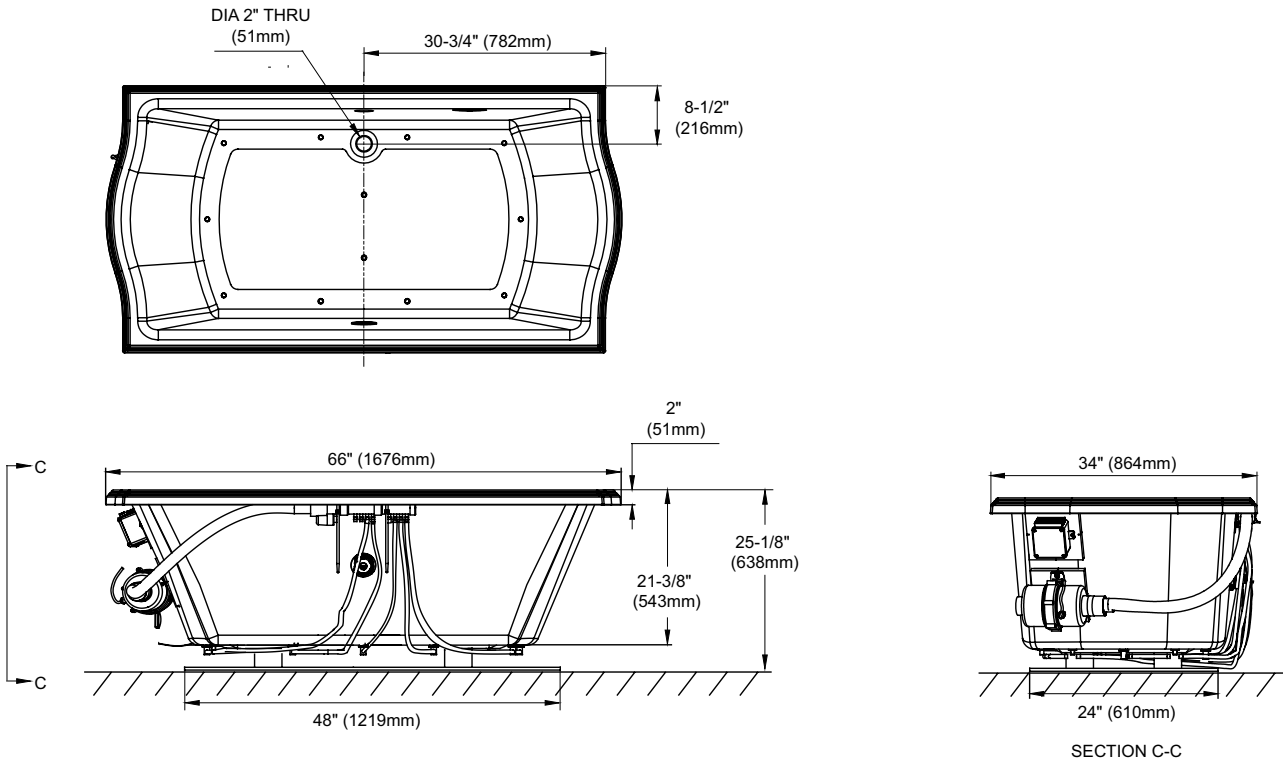
SPECIFICATIONS

- Size 66" L x 34" W
- Depth 21"
- Water Depth 15.6"
- Warranty 1 Year Limited Warranty on acrylic tub
1 Year Limited Warranty on components and parts
- Material Lucite Cast Acrylic
- Electrical Requirements 15 AMP; 120V w/ GFCI
- Shipping Weight 140 lbs.
- Shipping Dimensions 68" L x 39" W x 27" H
- Gallons 80 to overflow

INSTALLATION NOTES

Floor support under bath must provide a minimum of 75 lbs/square foot (366 kg/square meter) loading.

Check local codes for requirements on installing an ASSE 1070/ASME A112. 1070/CSA B125.70 compliant device in series with the tub faucet.



TOTO®

These dimensions and specifications are subject to change without notice