

# artos<sup>®</sup>

## F907-71

## INSTALLATION GUIDE

10" shower rainhead  
ceiling mount, 4.75" arm  
round + square

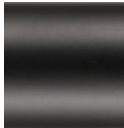
BRUSHED NICKEL(BN)



CHROME(CH)



BLACK(BK)



# artos<sup>®</sup>

## F907-71

10" shower rainhead  
ceiling mount, 4.75" arm  
round + square

## OPERATING SPECIFICATIONS



### FLOW RATE

1.8 USGPM

### TEMPERATURE

Maximum: 176°F

### OPERATING PRESSURE

Maximum: 125psi

Minimum: 20psi

Recommended: 30psi- 95psi

### INLET

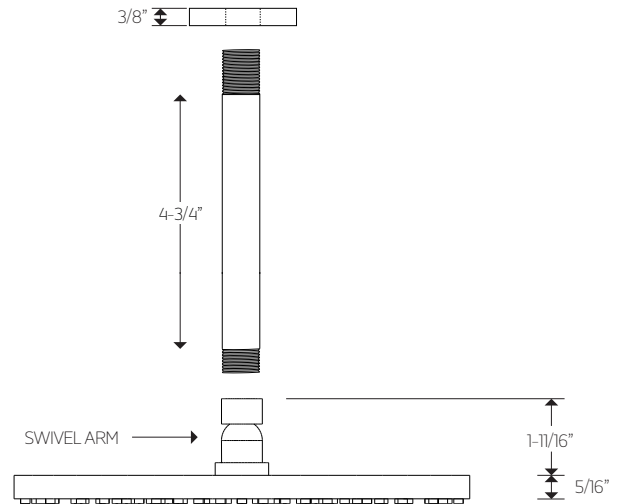
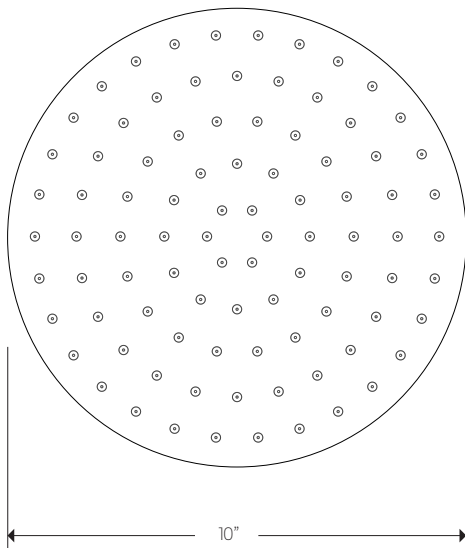
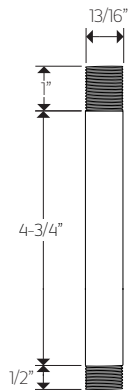
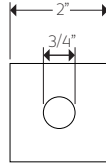
1/2" MALE NPT

# artos®

## F907-71

### PRODUCT DIMENSIONS

10" shower rainhead  
ceiling mount, 4.75" arm  
round + square

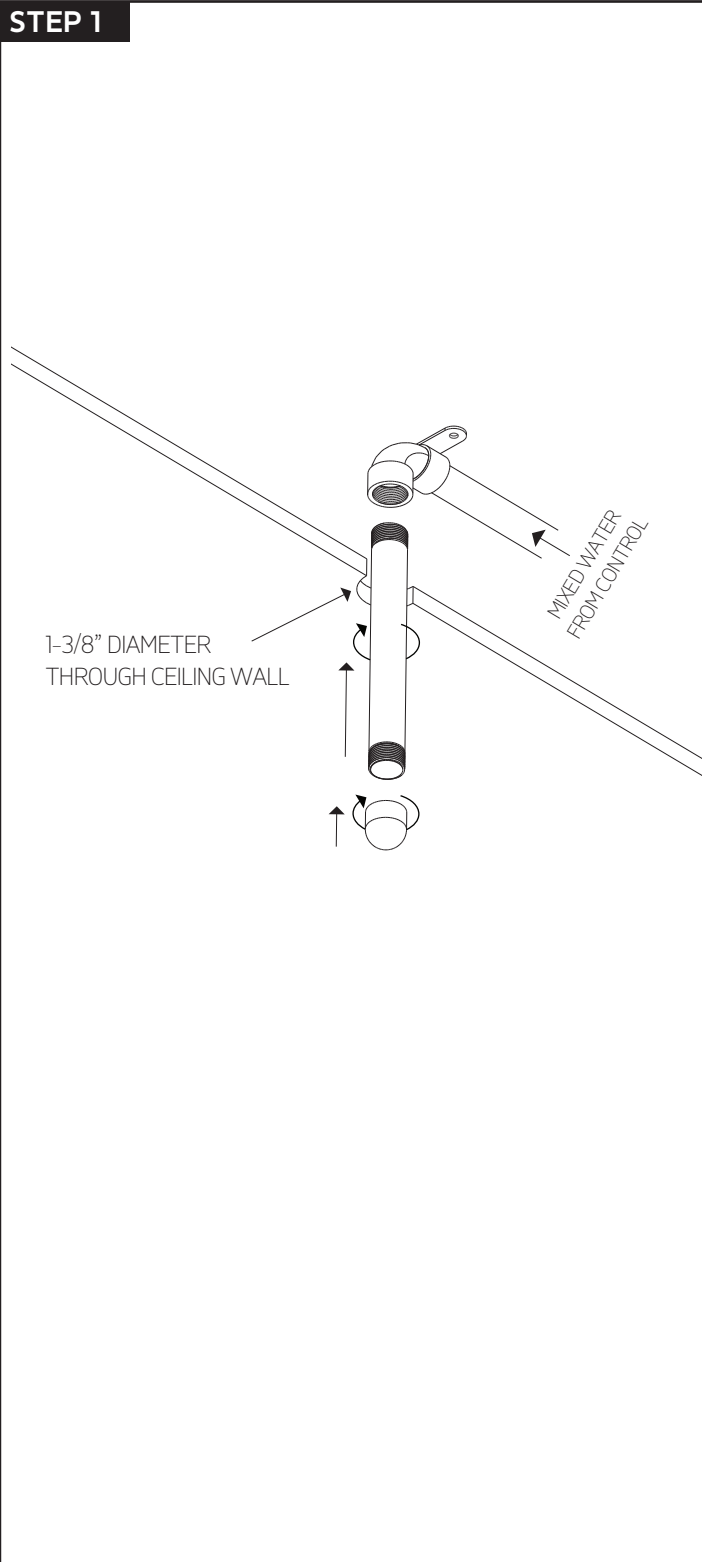


# artos<sup>®</sup>

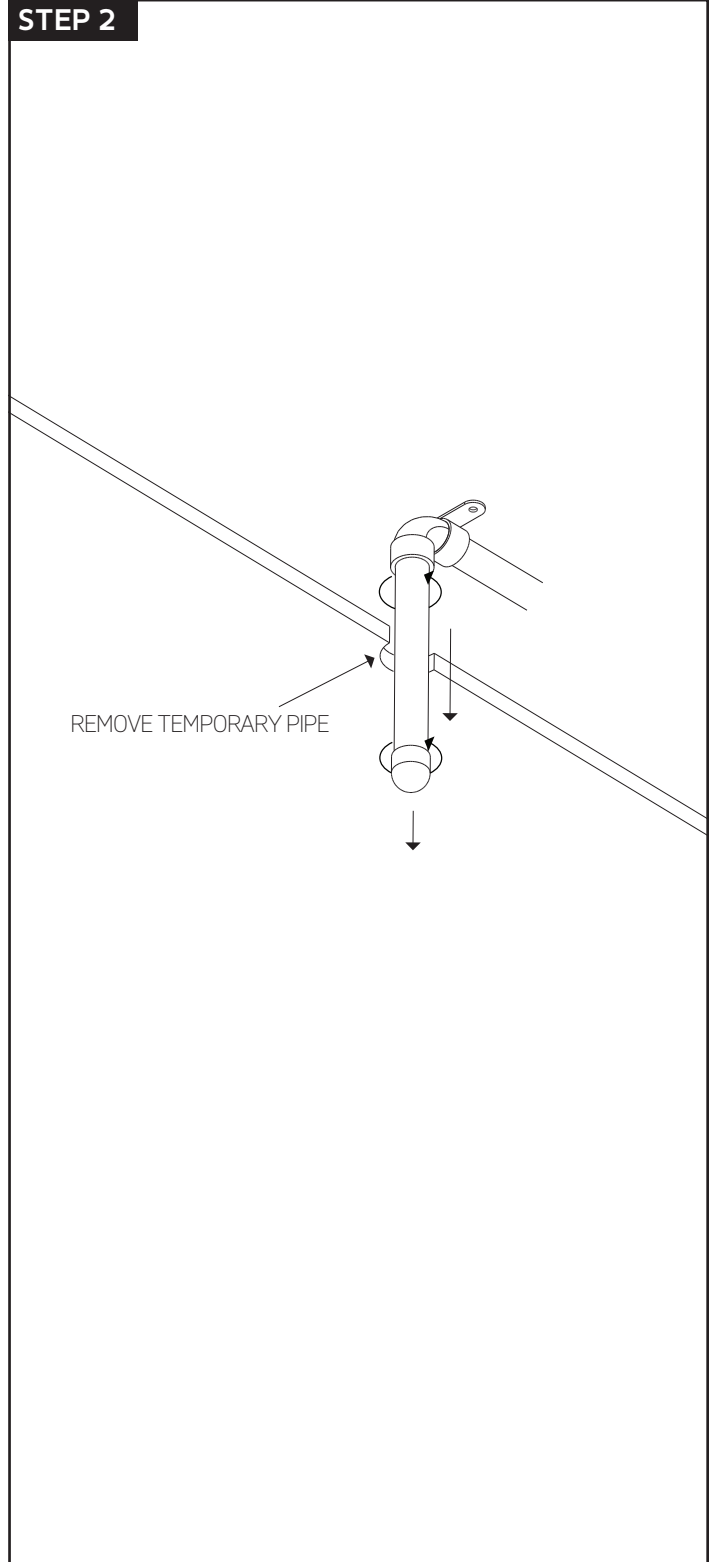
F907-71

10" shower rainhead  
ceiling mount, 4.75" arm  
round + square

## STEP 1

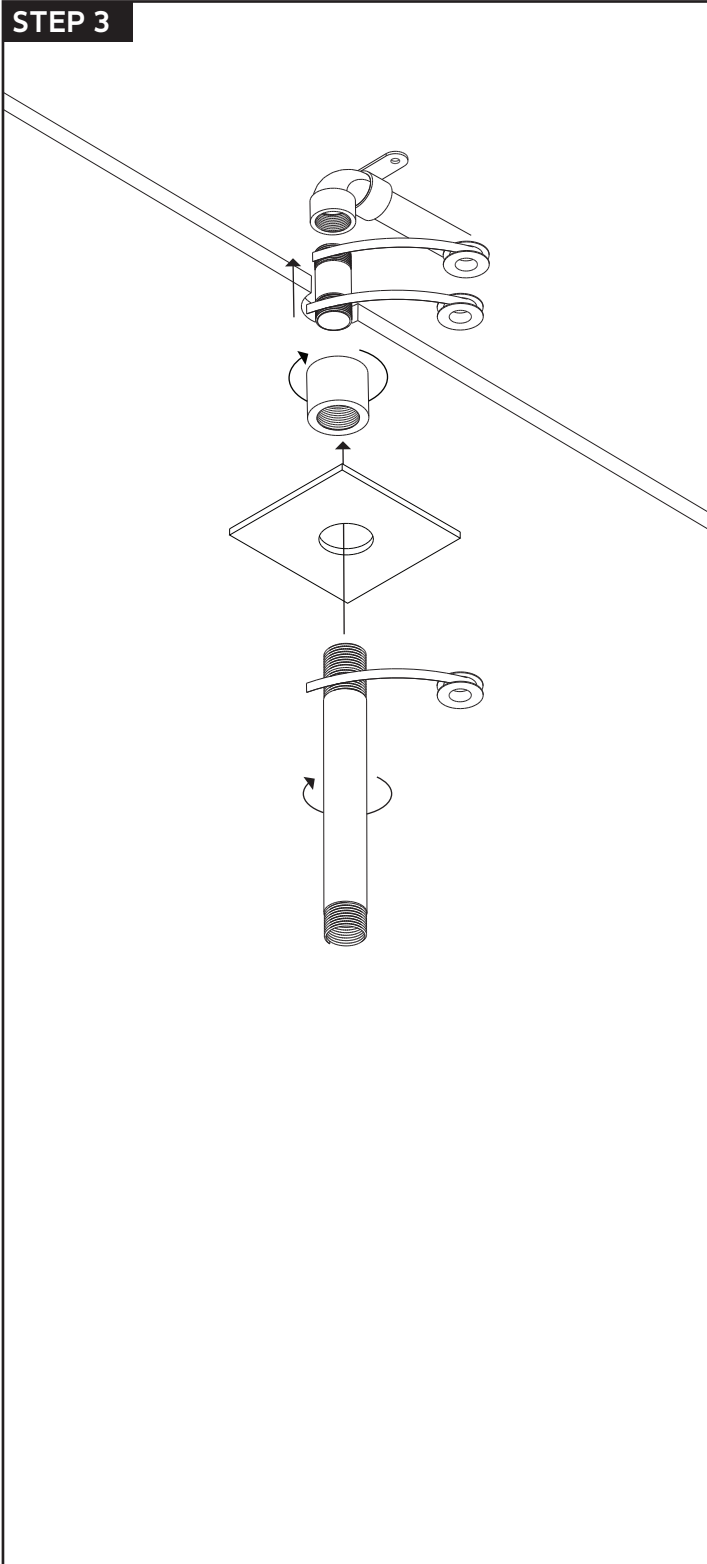


## STEP 2

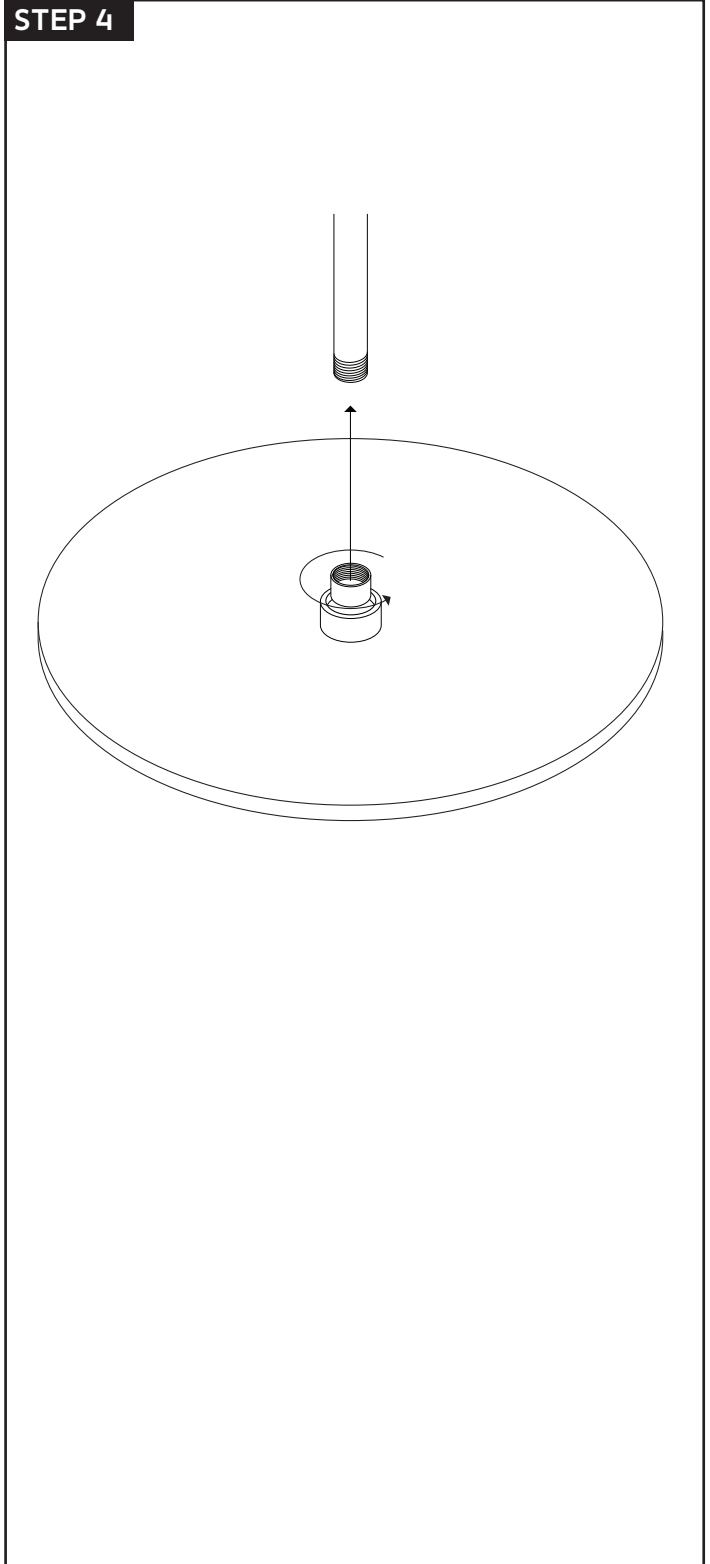


# INSTALLATION STEPS

STEP 3



STEP 4



# artos<sup>®</sup>

F907-71

## PARTS BREAKDOWN

10" shower rainhead  
ceiling mount, 4.75" arm  
round + square

