

artos[®]

F907-60

INSTALLATION GUIDE

10" shower rainhead, wall
mount arm rnd

BRUSHED NICKEL(BN)



CHROME(CH)



artos[®]

F907-60

OPERATING SPECIFICATIONS

10" shower rainhead, wall
mount arm rnd



FEATURES

Solid Brass

OPERATING PRESSURE

Minimum: 15 psi

Maximum: 75 psi

Above 90psi it may be necessary to install a pressure reducer

OPERATING TEMPERATURE

Maximum: 176°

FLOW RATE

1.8 USGPM

APPROVALS

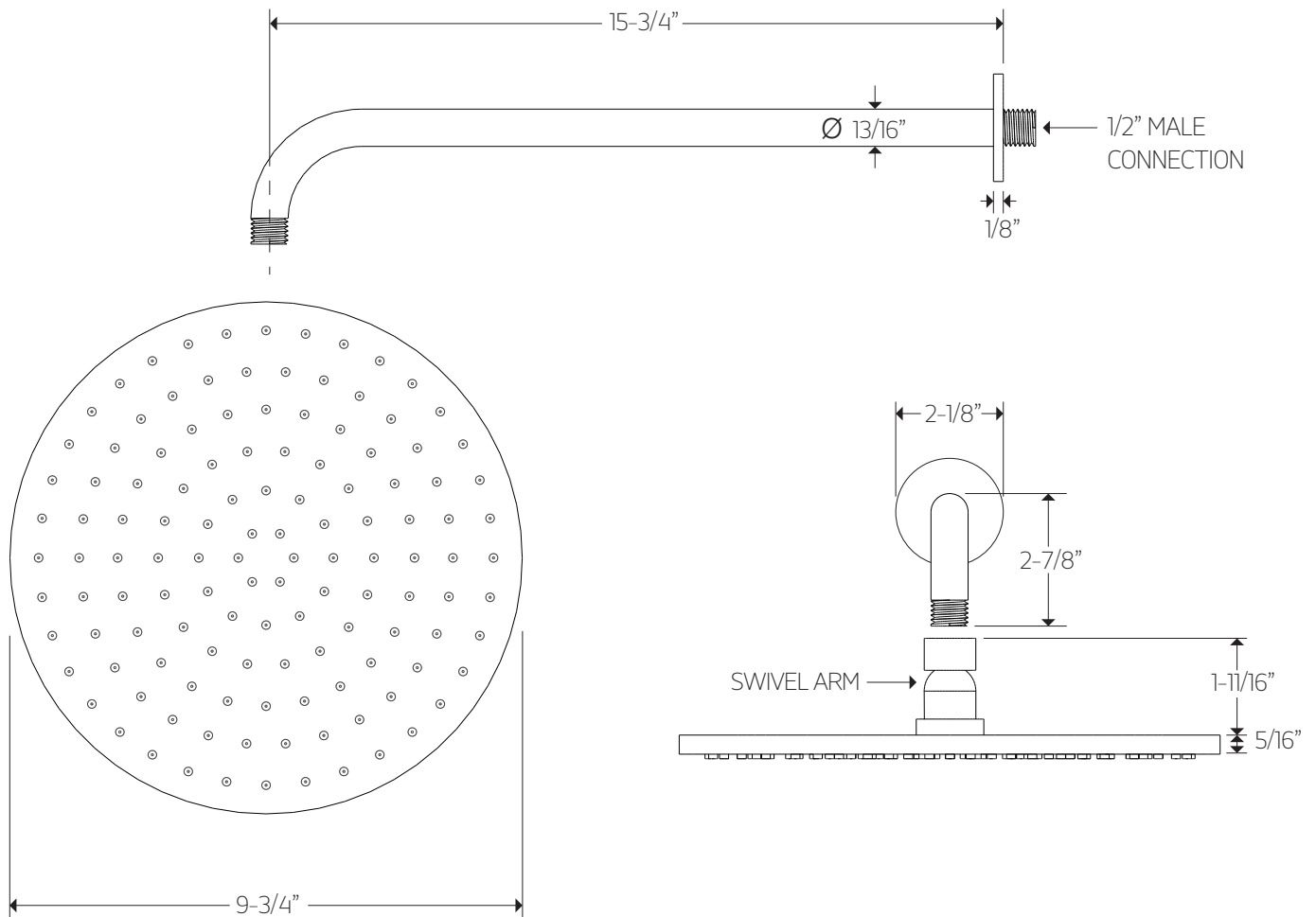


artos[®]

F907-60

PRODUCT DIMENSIONS

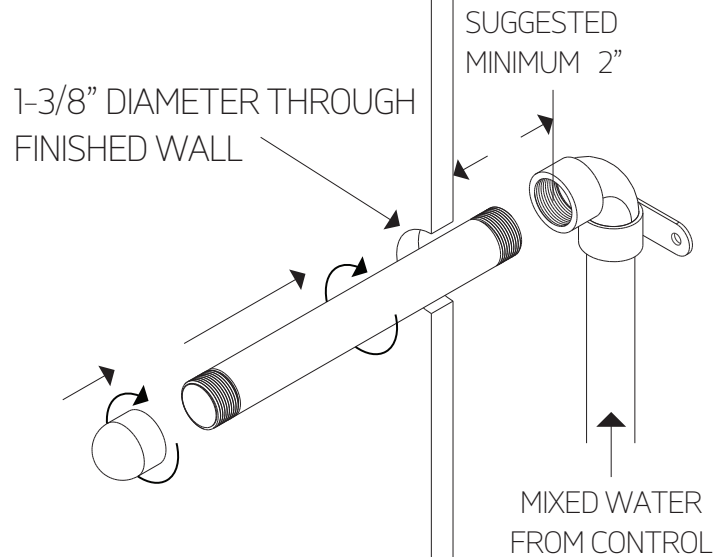
10" shower rainhead, wall
mount arm rnd



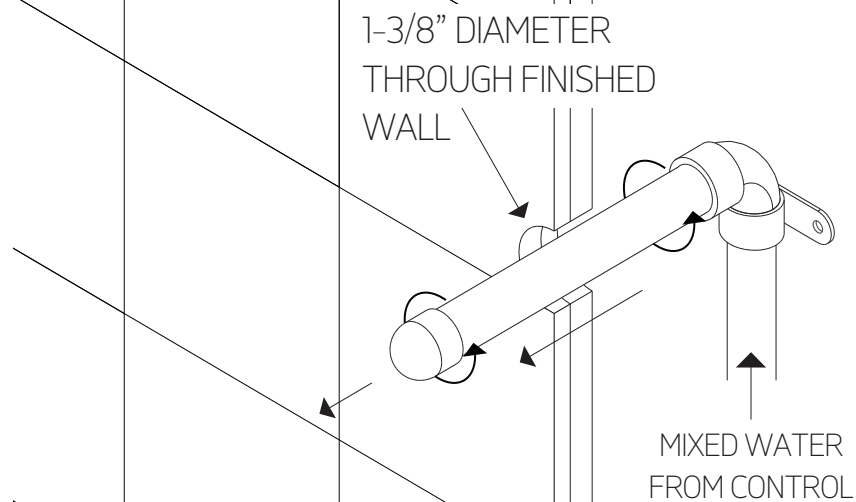
F907-60

10" shower rainhead, wall
mount arm rnd

STEP 1

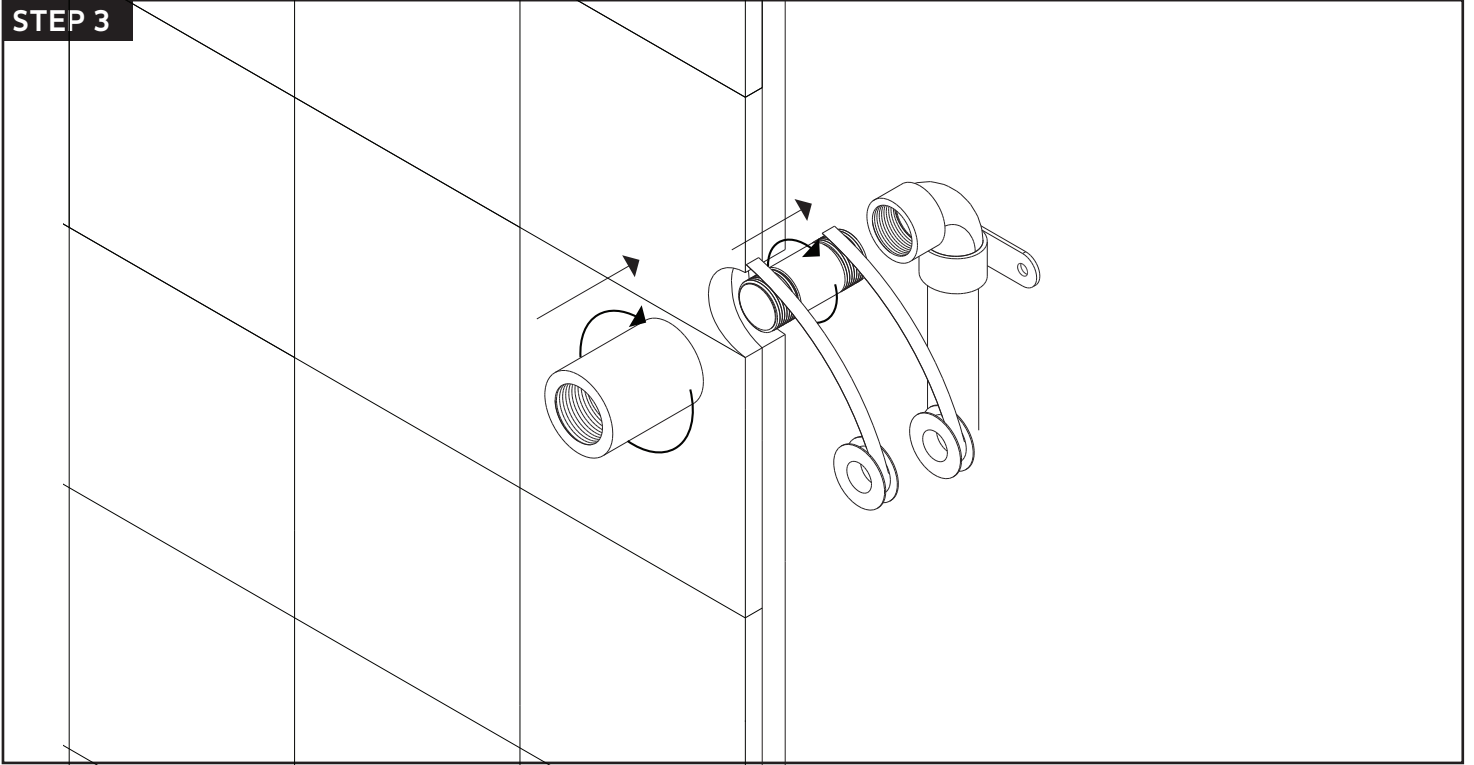


STEP 2

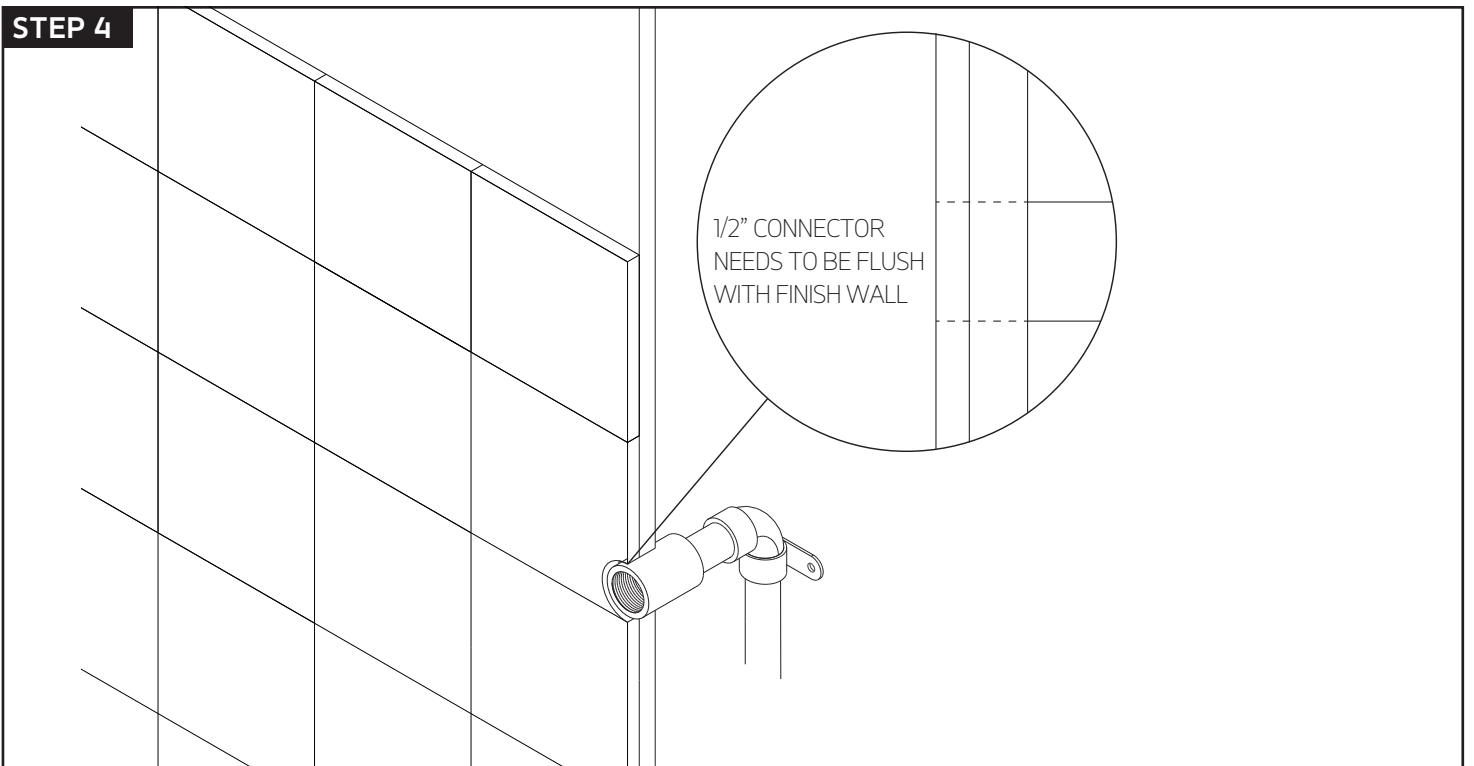


INSTALLATION STEPS

STEP 3



STEP 4

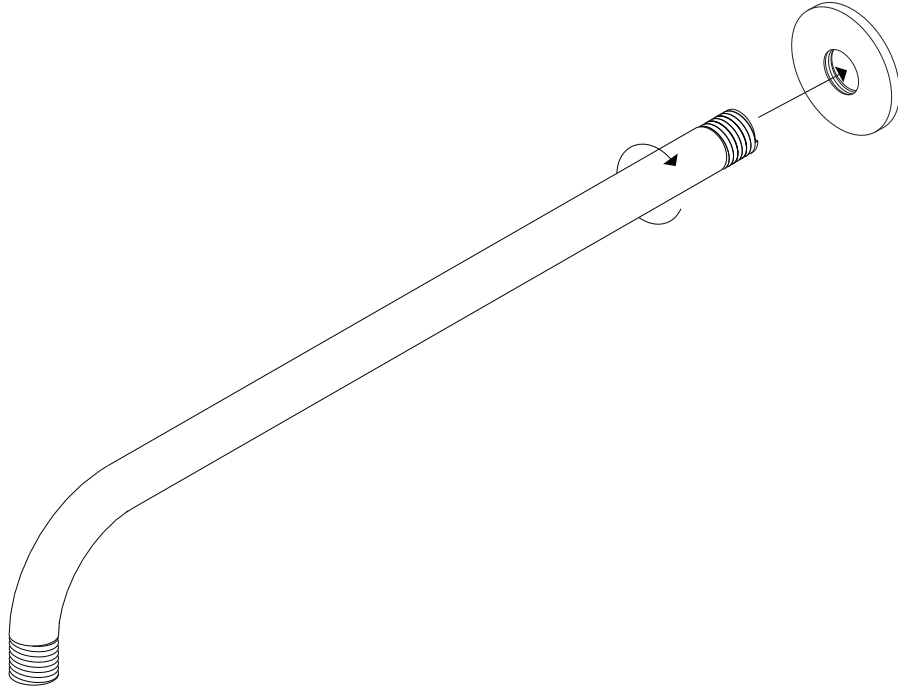


artos[®]

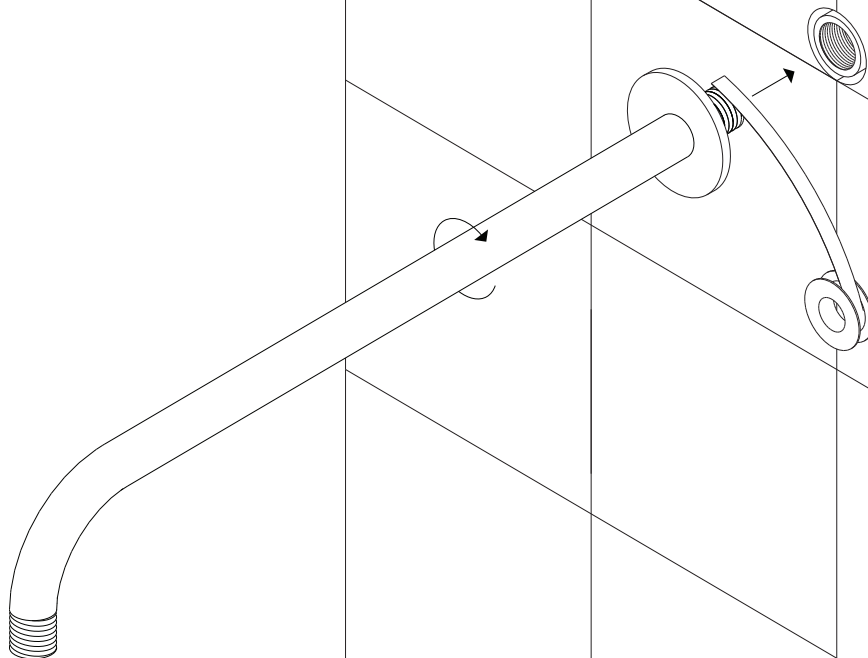
F907-60

10" shower rainhead, wall
mount arm rnd

STEP 5

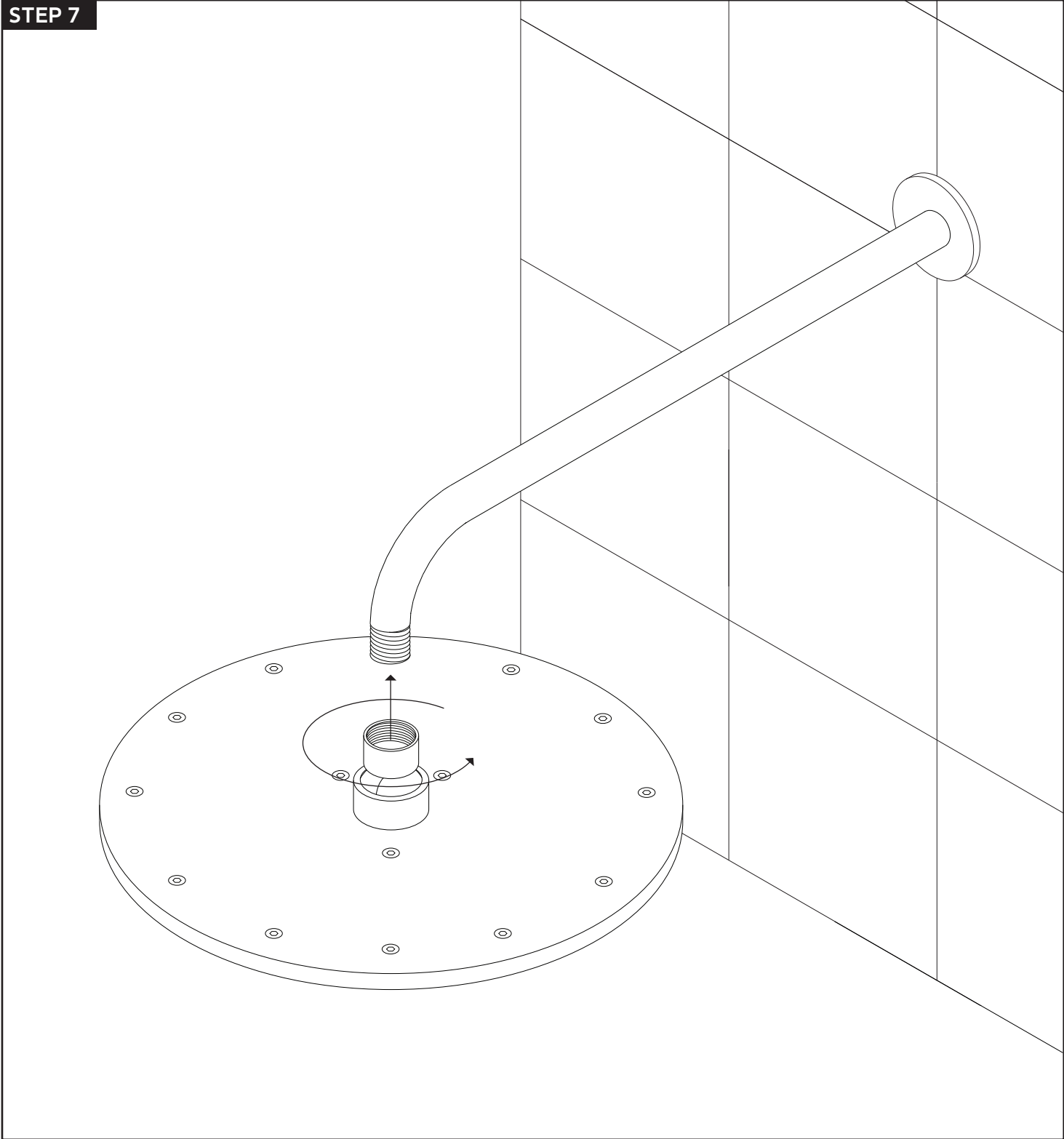


STEP 6



INSTALLATION STEPS

STEP 7



artos[®]

F907-60

10" shower rainhead, wall
mount arm rnd

