

artos[®]

F907-9

INSTALLATION GUIDE

8" shower rainhead, wall
mount, angled arm round

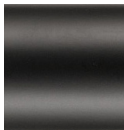
BRUSHED NICKEL(BN)



CHROME(CH)



BLACK(BK)



artos[®]

F907-9

OPERATING SPECIFICATIONS

8" shower rainhead, wall
mount, angled arm round



FEATURES

Solid Brass

OPERATING PRESSURE

Minimum: 15 psi

Maximum: 75 psi

Above 90psi it may be necessary to install a pressure
reducer

OPERATING TEMPERATURE

Maximum: 176°

FLOW RATE

1.8 USGPM

APPROVALS

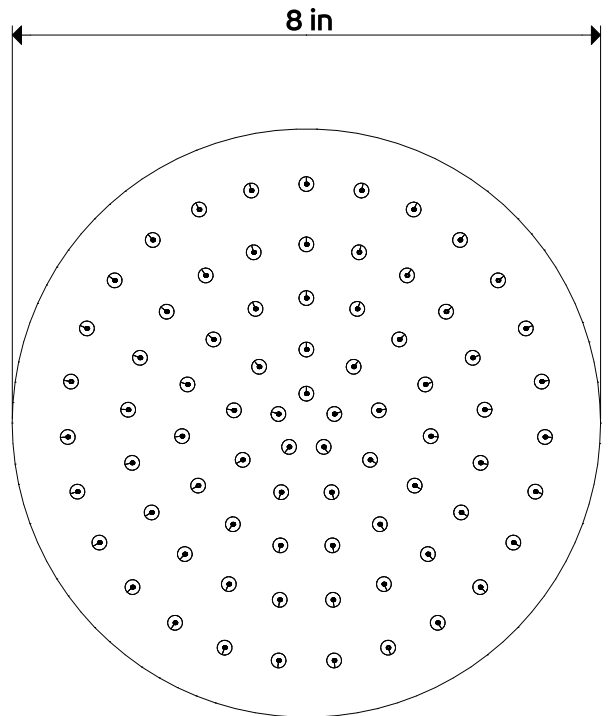
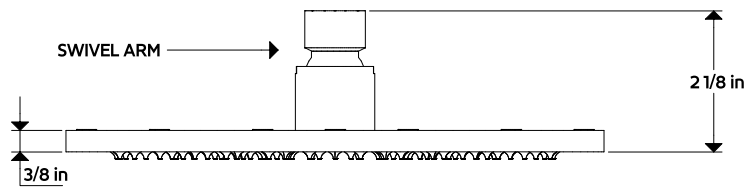
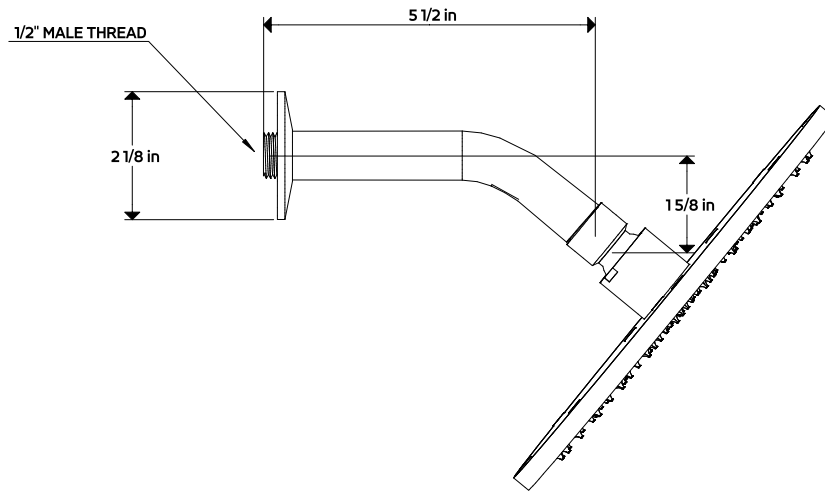


artos[®]

F907-9

PRODUCT DIMENSIONS

8" shower rainhead, wall mount, angled arm round

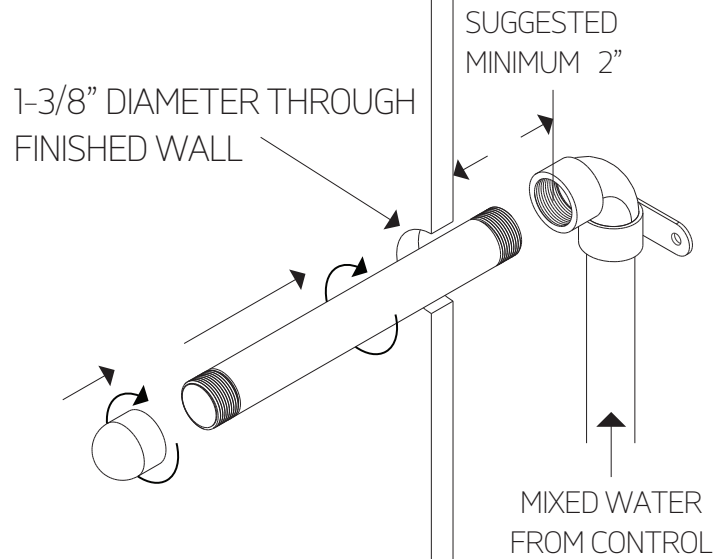


artos[®]

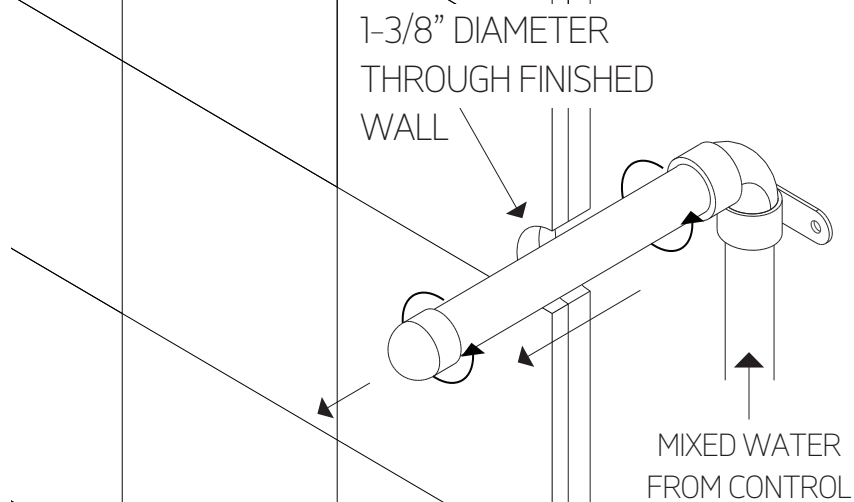
F907-9

8" shower rainhead, wall
mount, angled arm, round

STEP 1

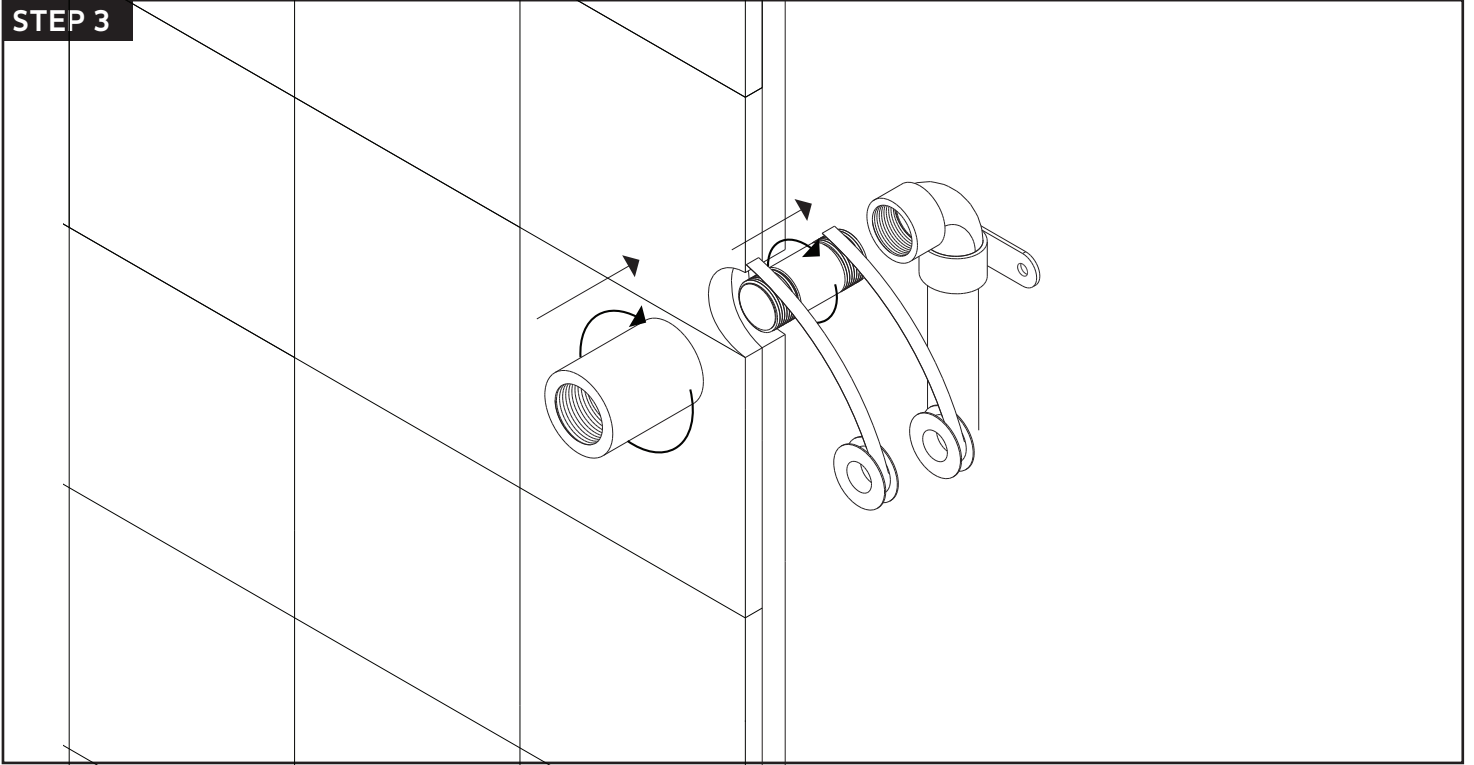


STEP 2

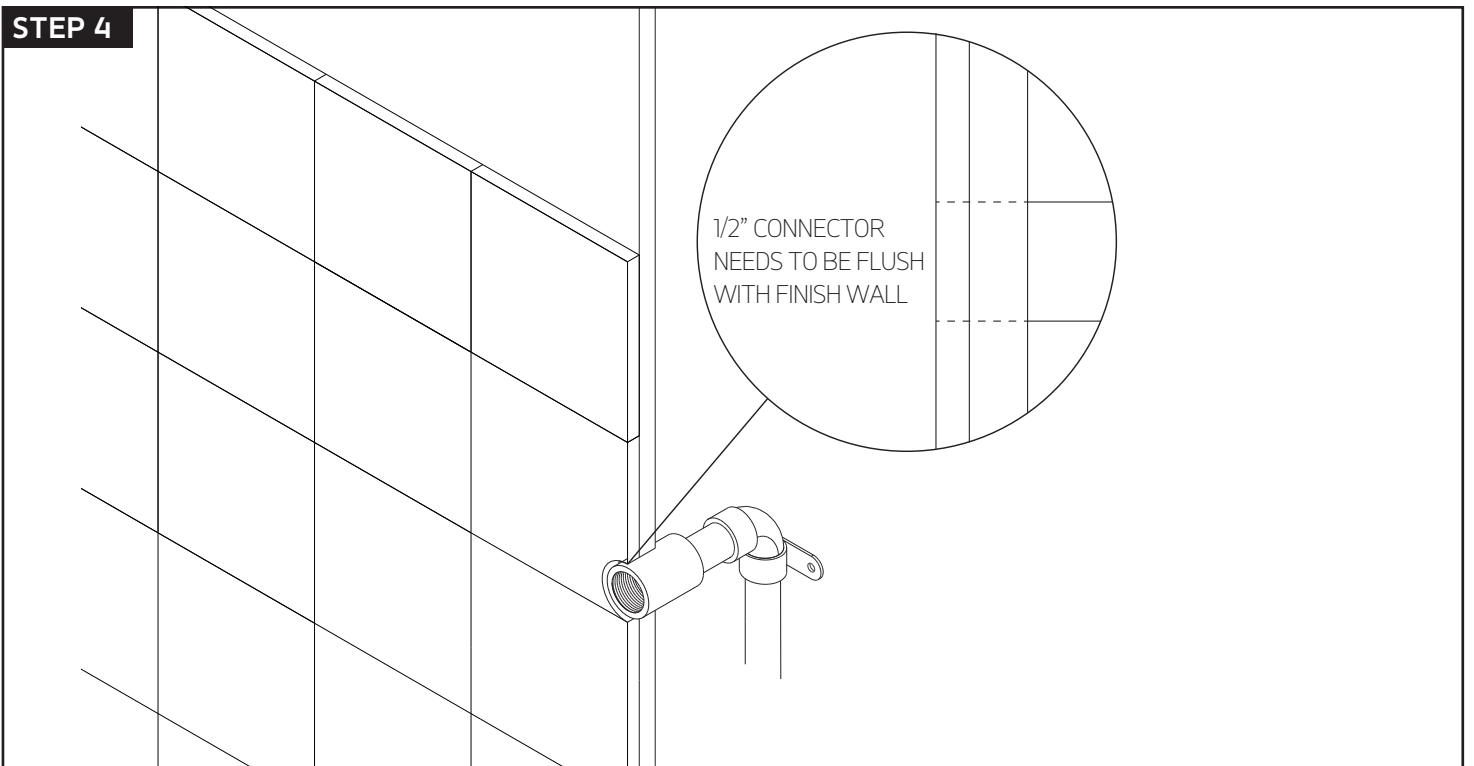


INSTALLATION STEPS

STEP 3



STEP 4



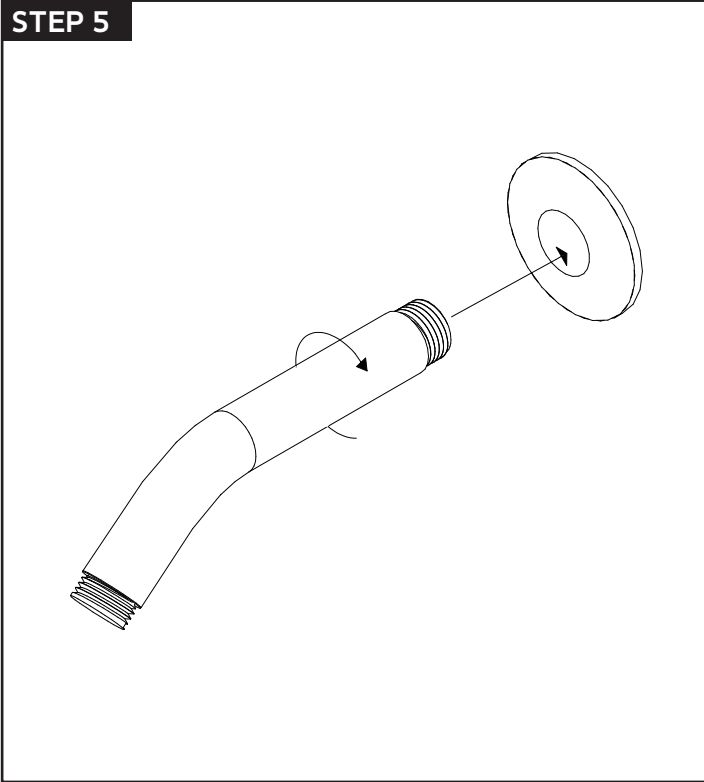
artos[®]

F907-9

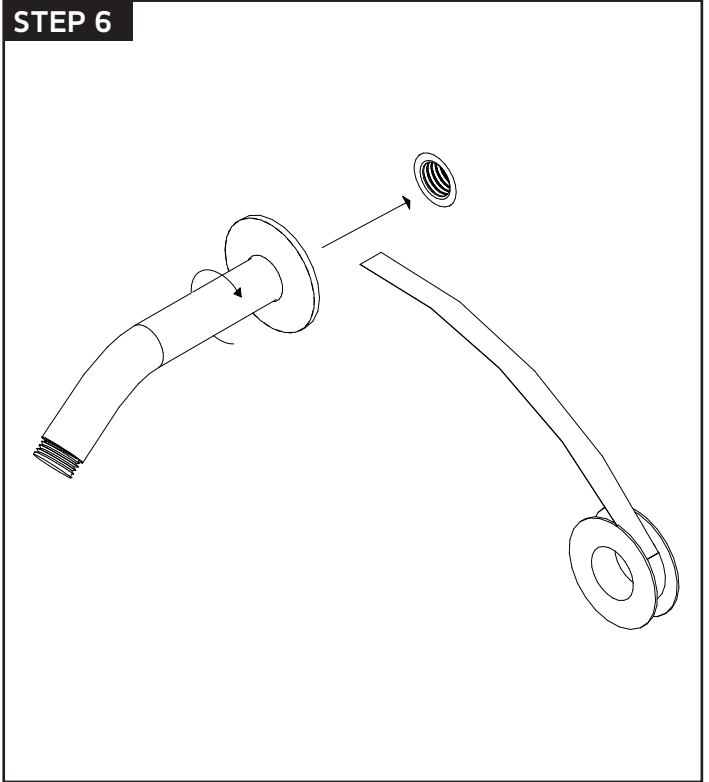
INSTALLATION STEPS

8" shower rainhead, wall
mount, angled arm round

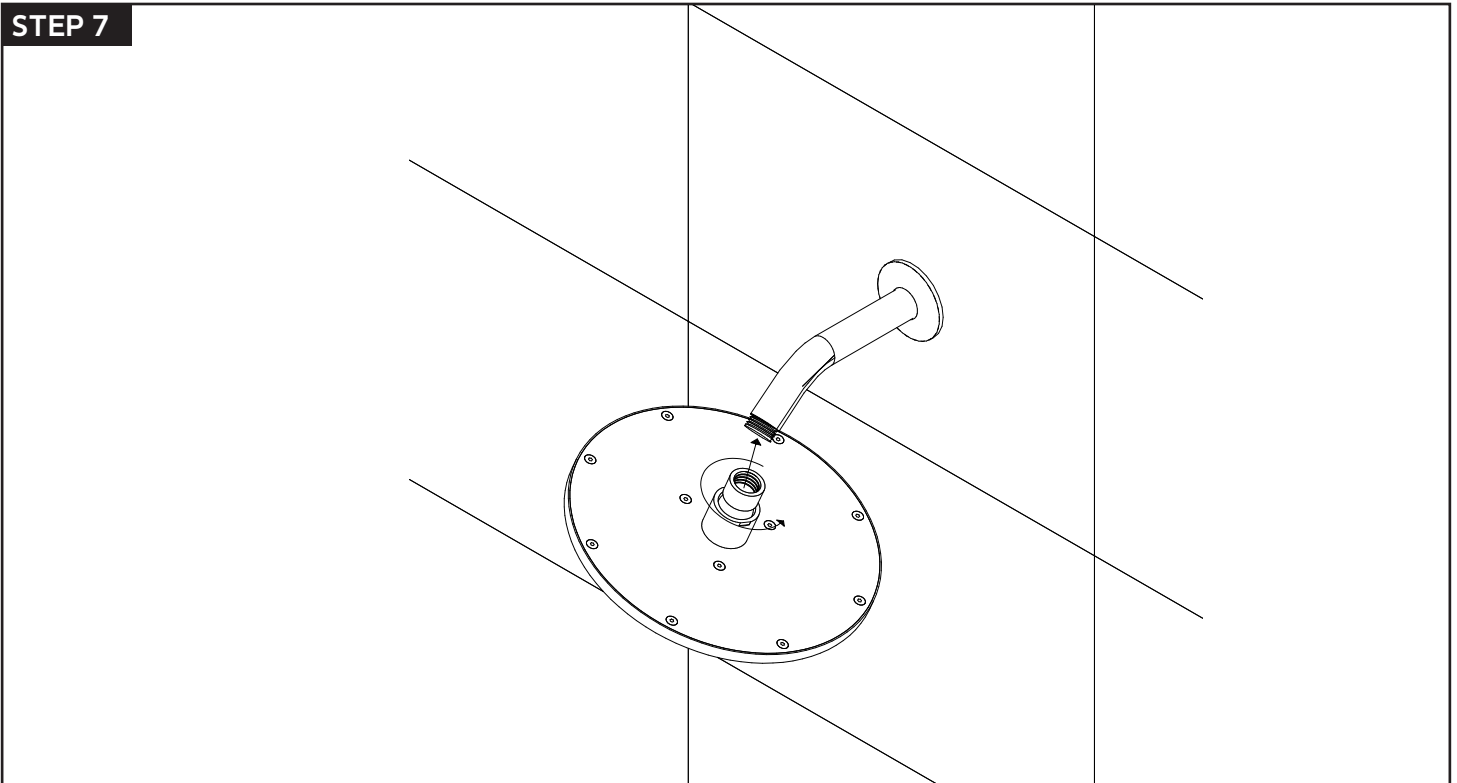
STEP 5



STEP 6



STEP 7

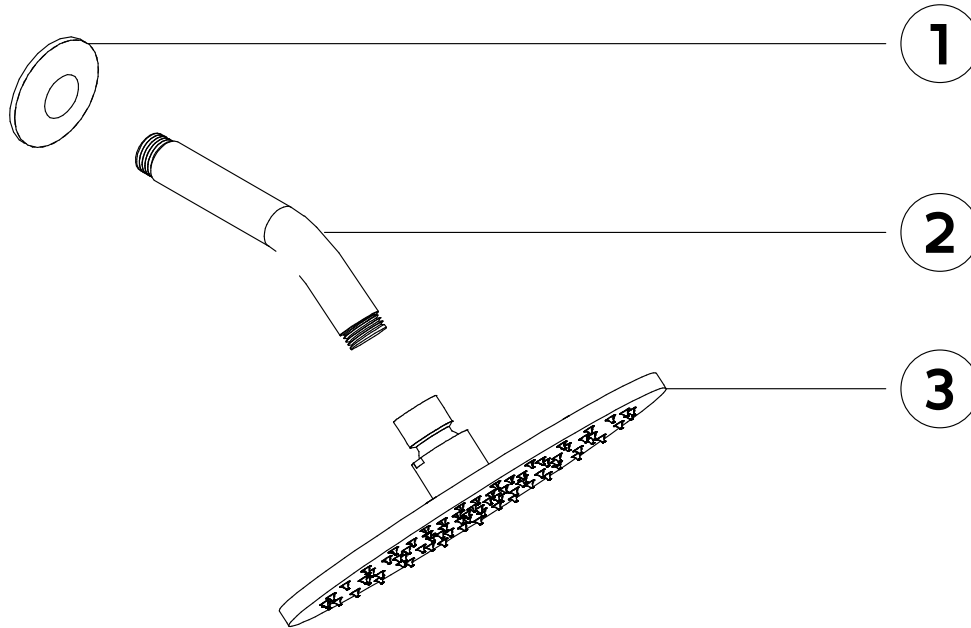


artos[®]

F907-9

PARTS BREAKDOWN

8" shower rainhead, wall
mount, angled arm round



- 1** SHOWER ARM ESCUTCHEON
- 2** SHOWER ARM
- 3** SHOWER HEAD