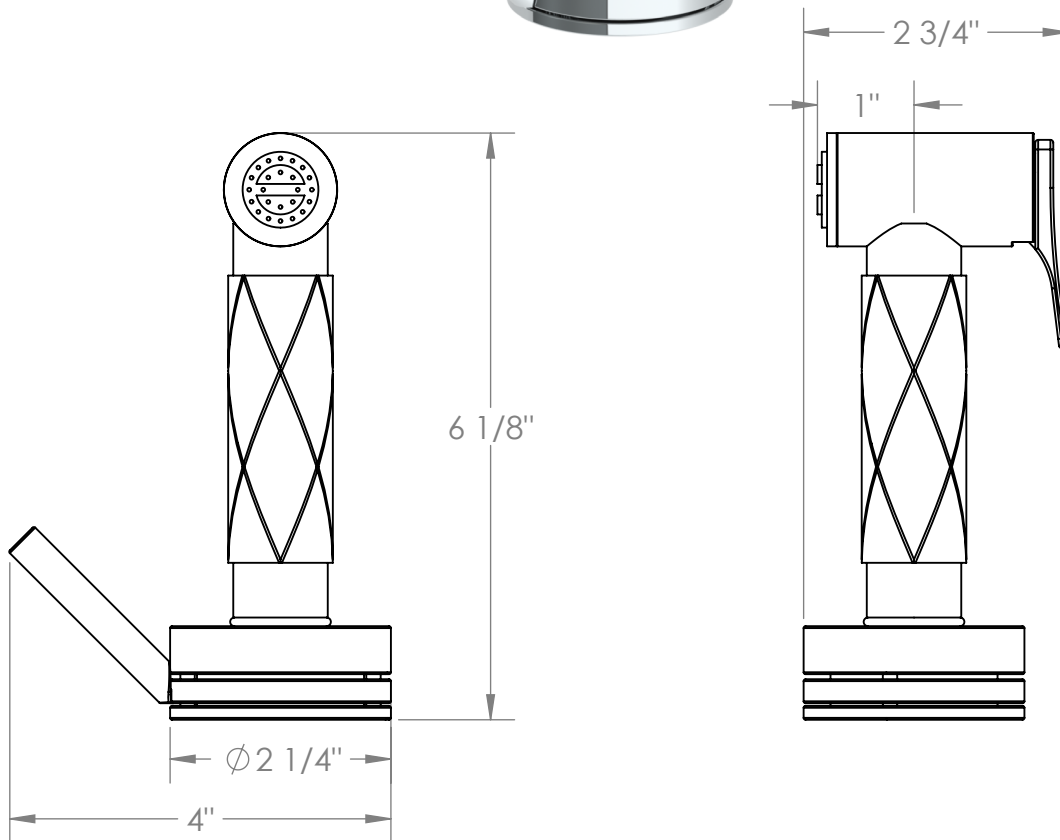
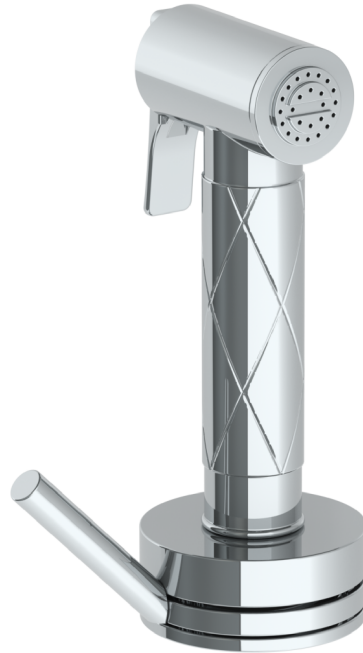


## MSALD.1

Deck Mounted Independent Side Spray  
Includes Integrated Mixer



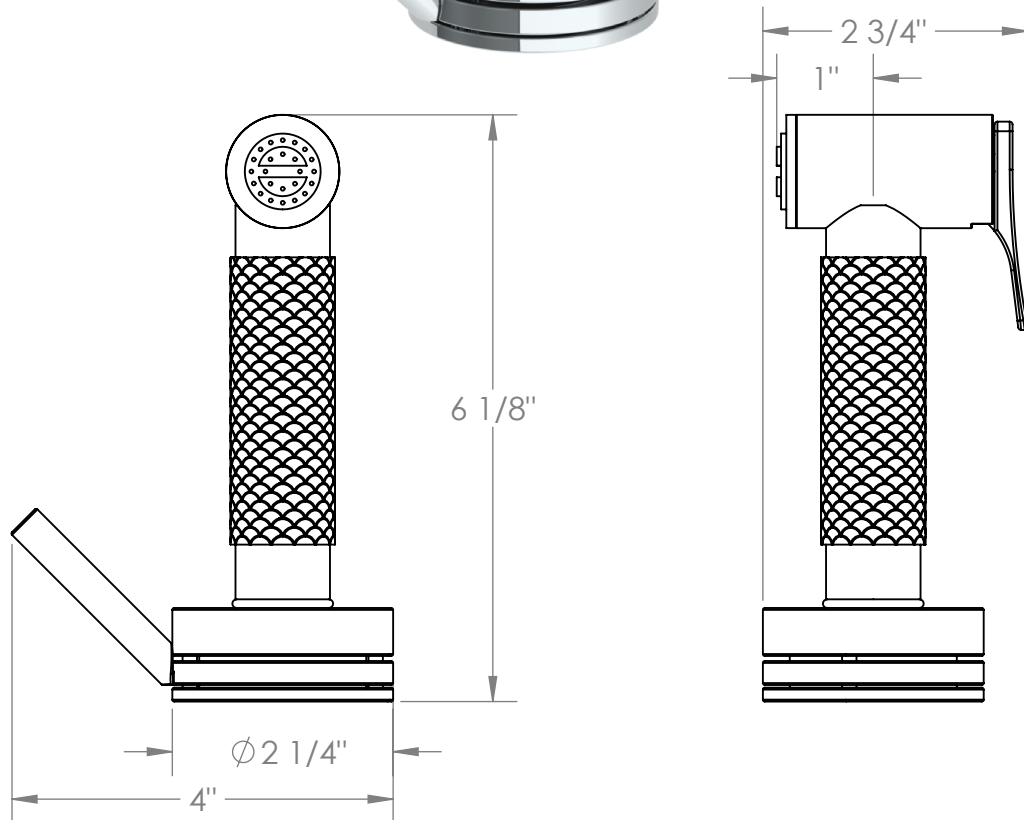
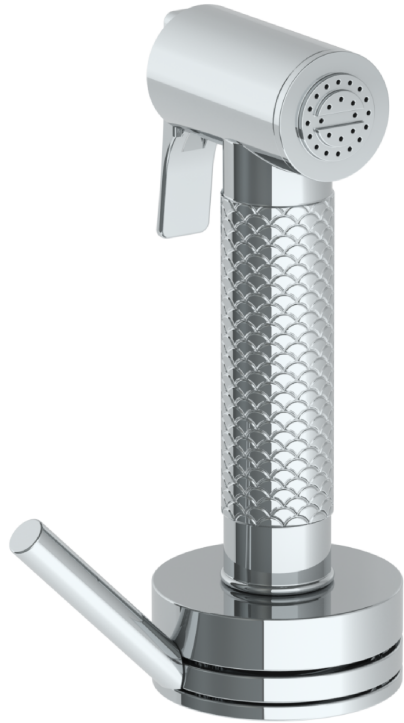
Meets the applicable requirements of ASME A112.18.1-2005/CSA B125.1-05, entitled "Plumbing Supply Fittings"

# **WATERMARK** DESIGNS 11/1/2019

350 Dewitt Ave Brooklyn NY 11207 USA T 718 257 2800 F 718 257 2144 info@watermark-designs.com

# MSALO.1

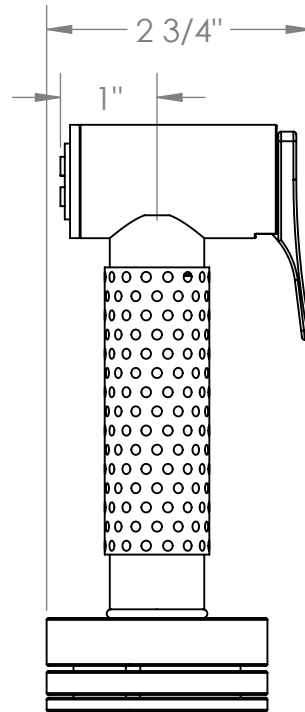
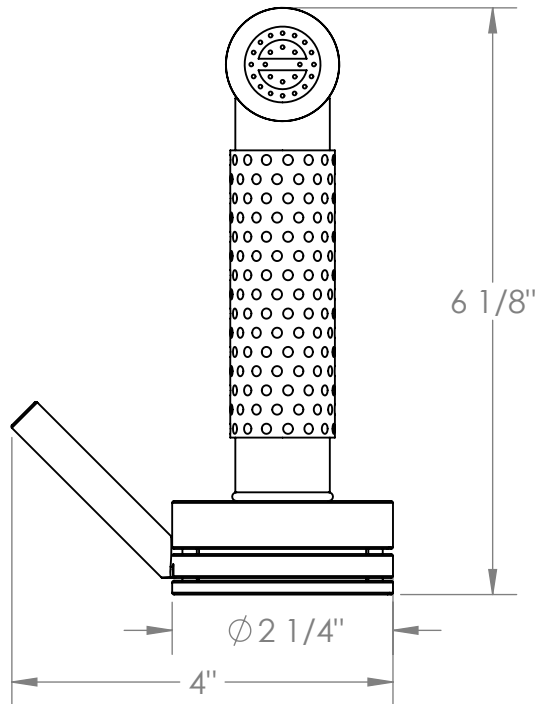
Deck Mounted Independent Side Spray  
Includes Integrated Mixer



Meets the applicable requirements of ASME A112.18.1-2005/CSA B125.1-05, entitled "Plumbing Supply Fittings"

# MSALP.1

Deck Mounted Independent Side Spray  
Includes Integrated Mixer



Meets the applicable requirements of ASME A112.18.1-2005/CSA B125.1-05, entitled "Plumbing Supply Fittings"