

Kitchen/Prep Pull-Down Faucet Installation Instructions

CALIFORNIA FAUCETS RECOMMENDS THAT ALL PLUMBING PRODUCTS BE INSTALLED BY A LICENSED PROFESSIONAL

IMPORTANT: Read all instructions prior to installation and provide copy of instructions to consumer.

Operating Specifications:

Recommended Supply Pressure: 20 to 70 psi**

* Operating pressures between hot and cold supplies should vary no more than 30 psi.

† If water pressure exceeds 70 psi, install a Pressure-Reducing Valve (PRV).

I

INSTALLING TO SINK/DECK

IMPORTANT: The recommended sink/deck through-hole shall be $\varnothing 1-3/8"$. Maximum sink/deck thickness should no greater than 2-1/4"

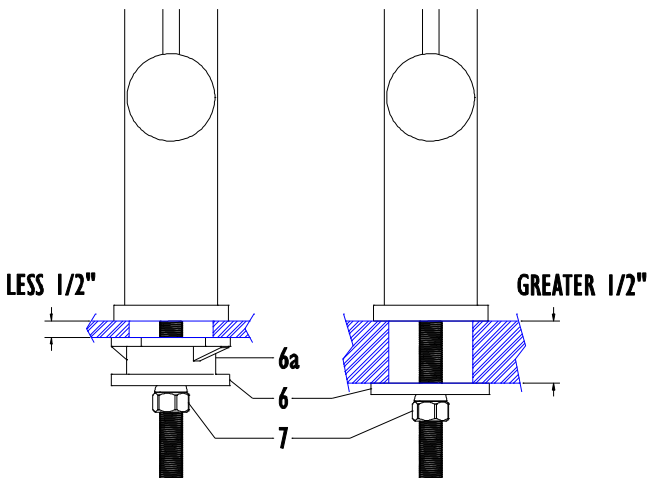
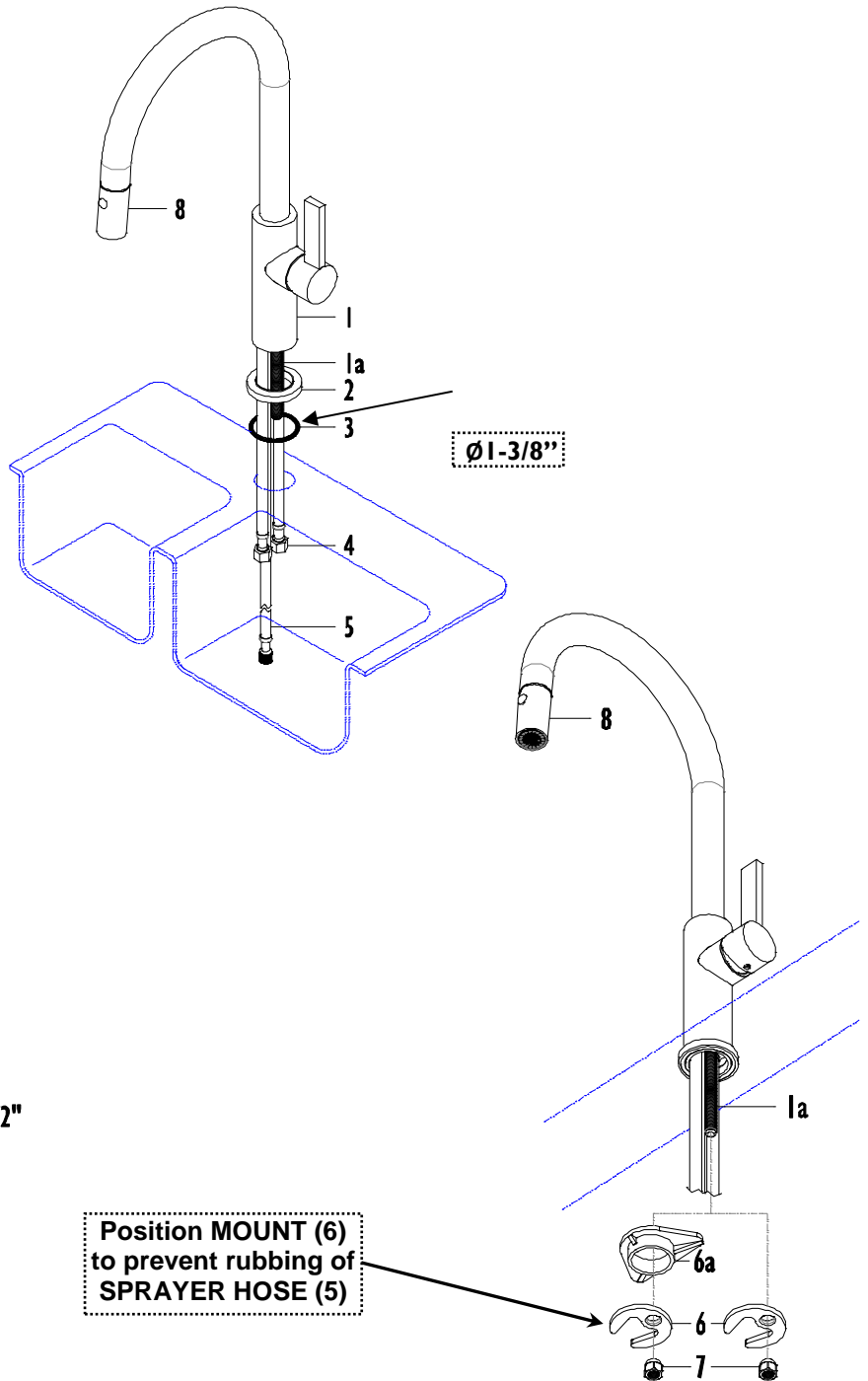
- Place BASE (2) with O-RING (3) onto BODY (1)
- Slide INLET HOSES (4) and SPRAY-HOSE (5) through sink/deck hole

IMPORTANT: Based on sink/deck thickness the use of SPACER (6a) needs to be determined. If thickness is LESS than 1/2" use SPACER (6a), if GREATER than 1/2" use only MOUNT (6).

- From underside slide SPACER (6a), in necessary, MOUNT (6) and NUT (7) onto SHANK (1a); loosely tighten NUT (7)

IMPORTANT: Position MOUNT (6) so that SPRAY-HOSE (5) does NOT rub against MOUNT (6) when SPRAYHEAD (8) is pulled.

- From topside position BODY (1) with handle on right side as shown and from underside securely tighten NUT (7)

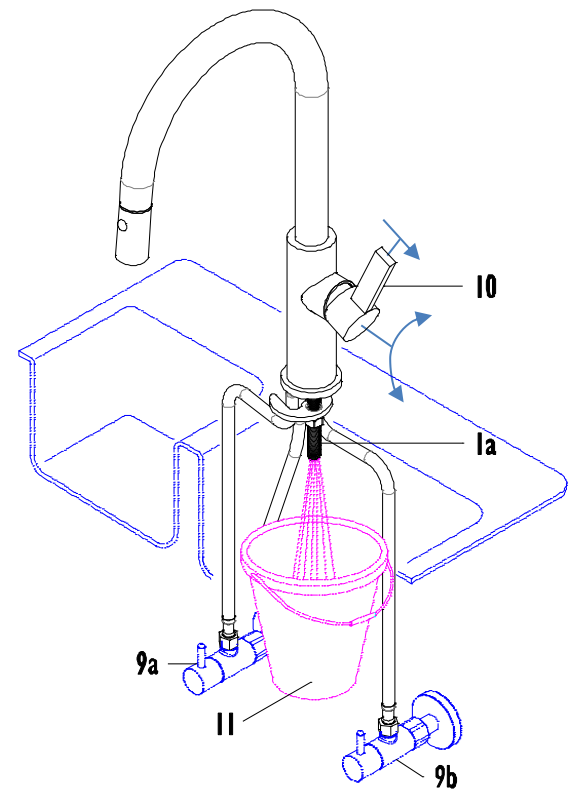
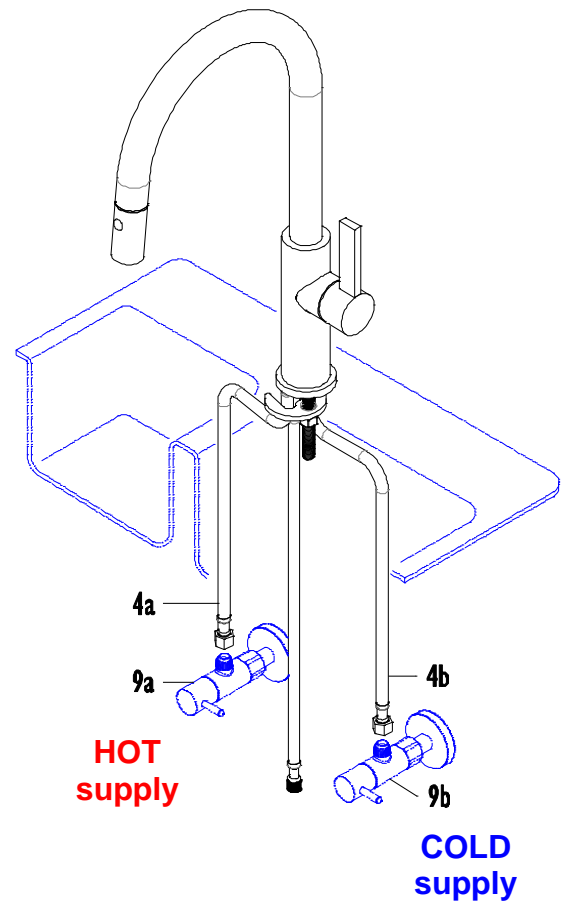


Position MOUNT (6) to prevent rubbing of SPRAYER HOSE (5)

WATER CONNECTIONS

IMPORTANT: The water supplies MUST be flush of all debris prior to running water through the faucets SPRAYHEAD (8); the following procedure will ensure debris removal.

- Tighten **red** colored nut on **HOT INLET HOSE (4a)** to **HOT SUPPLY (9a)**
- Tighten **blue** colored nut on **COLD INLET HOSE (4b)** to **COLD SUPPLY (9b)**
- Ensure that faucet **HANDLE (10)** is in closed position as shown (straight up)
- Turn on **HOT** and **COLD SUPPLIES (9a) & (9b)**
- Place **BUCKET (11)** (not supplied) under **SHANK (1a)**
- Slowly open **HANDLE (10)** on faucet and cycle through cold and hot water until water runs clear



3

FINAL CONNECTIONS

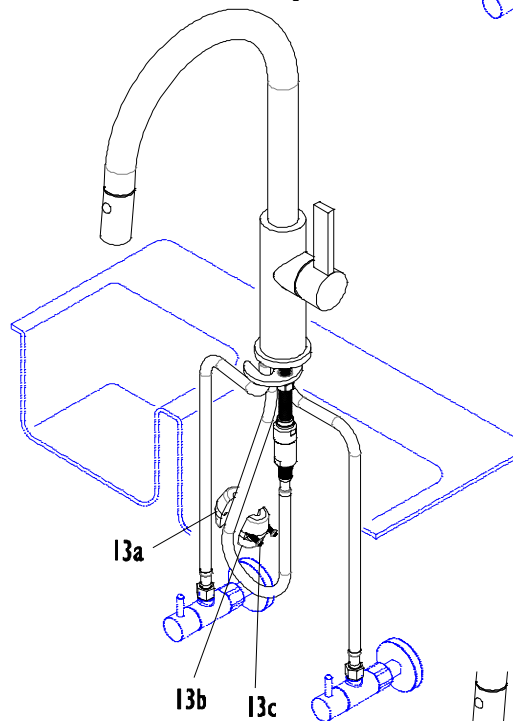
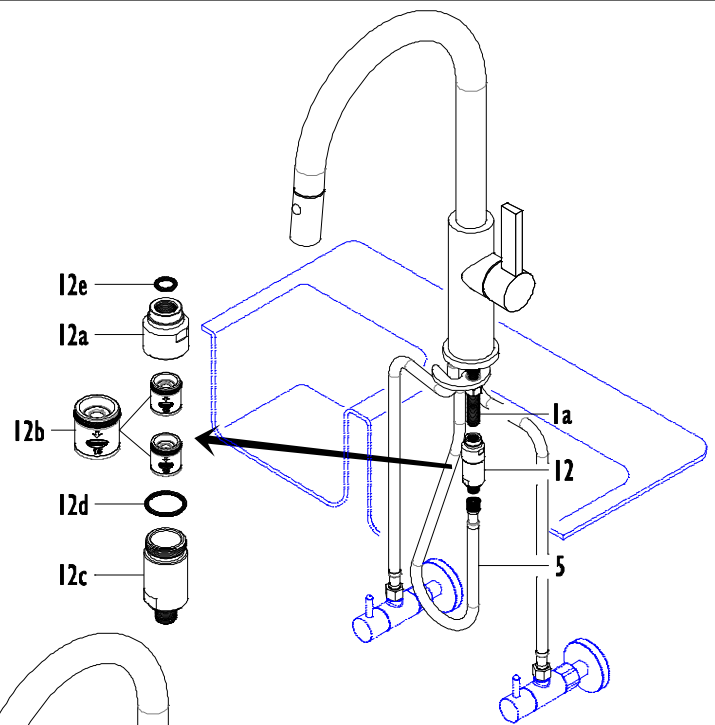
- Tighten CHECK ASSEMBLY (12) onto end of SHANK (1a)
- Attach SPRAY-HOSE (5) onto end of CHECK ASSEMBLY (12)

CHECK ASSEMBLY MAINTENANCE

- Disconnect CHECK ASSEMBLY (12) from SPRAY-HOSE (5) and SHANK (1a)
- Unscrew UPPER HOUSING (12a), remove both CHECK VALVES (12b) by gently pushing through hole in LOWER HOUSING (12c)
- Flush both CHECK VALVES (12b) clean water
- Assemble CHECK VALVES (12b) back into LOWER HOUSING (12c)

IMPORTANT: Both CHECK VALVES (12b) must be placed into the LOWER HOUSING in the water flow direction as shown (o-ring on the top side) and ensure that plumbers grease is applied to o-ring.

- Apply thin film on plumbers grease to HOUSING O-RING (12d) before assembling UPPER and LOWER HOUSING (12a) & (12c) and securely tighten
- Ensure that UPPER O-RING (12e) is in place before attaching CHECK ASSEMBLY (12) onto SHANK (1a)

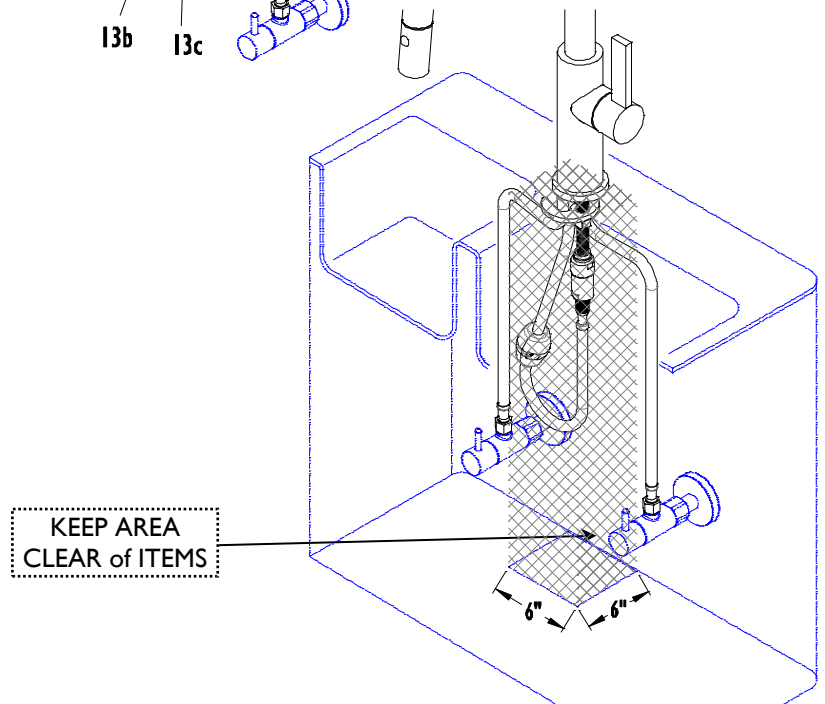


4

WEIGHT ATTACHMENT

IMPORTANT: The placement of WEIGHT (13) shall be at the lowest portion of the SPRAY-HOSE (5). The area below hose/weight needs to be cleared of all items that may affect movement of hose/weight.

- Separate FEMALE and MALE WEIGHT (13a) & (13b) by loosening SCREWS (13c)
- Place FEMALE WEIGHT (13a) at lowest portion of SPRAY-HOSE (5) just above curve of hose
- Secure MALE WEIGHT (13b) onto SPRAY-HOSE (5) by tightening both SCREWS (13c)



5 MAINTENANCE

SPRAYHEAD-BUTTON

- Place drain strainer or towel in sink drain to prevent parts from falling down the drain
- Use KEY (14) to remove aerator INSERT (8a) and SPRING/WASHER (8b)
- Use HEX KEY (15) to remove SPRAY-FACE (8d)

IMPORTANT: Once SPRAY-FACE (8d) is removed **DO NOT** operate water through SPRAYHEAD (8) as internal damage may be done to SPRAYHEAD (8)

- Rinse all parts with clean water to remove any debris
- Replace all parts in opposite order as described above

SPRAYHEAD-SQUEEZE

- Place drain strainer or towel in sink drain to prevent parts from falling down the drain
- Use WRENCH (18) to remove decorative TIP (16a), aerator INSERT (16b) and WASHER (16c)
- Use HEX KEY (17) to remove SPRAY-FACE (16d)

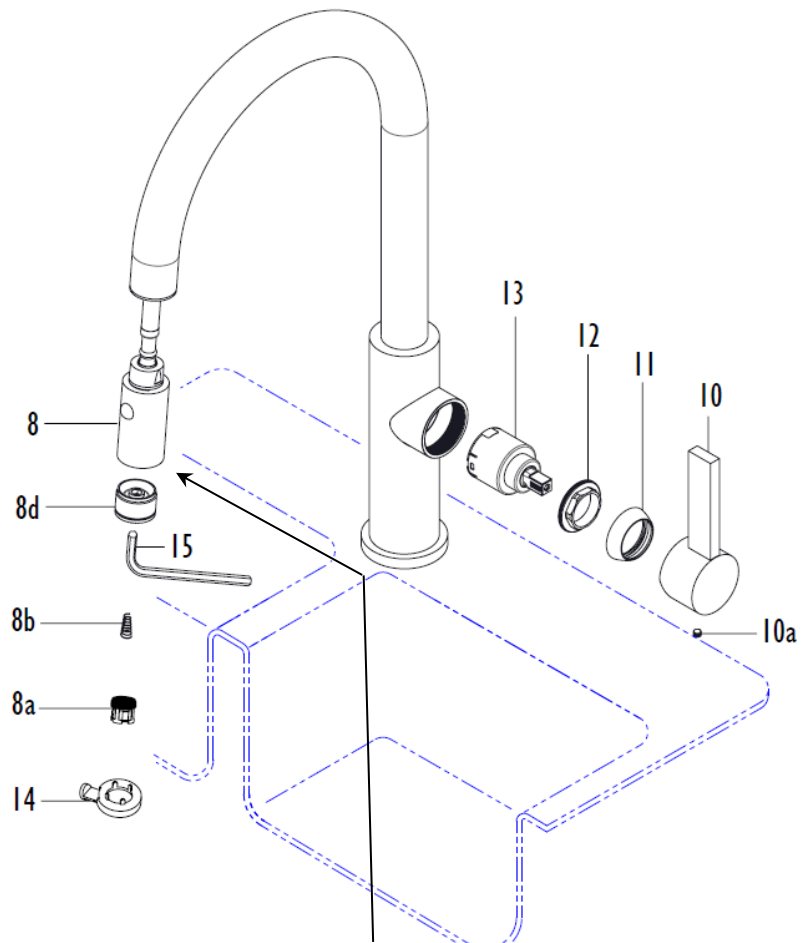
IMPORTANT: Once SPRAY-FACE (16d) is removed **DO NOT** operate water through SPRAYHEAD (16) as internal damage may be done to SPRAYHEAD (16)

- Rinse all parts with clean water to remove any debris
- Replace all parts in opposite order as described above

CARTRIDGE

- Turn off **HOT** and **COLD** supply stops before proceeding
- Remove SETSCREW (10a) from HANDLE (10)
- Slide HANDLE (10) off
- Remove BONNET (11), PACKING NUT (12) and slide CARTRIDGE (13) out
- Rinse CARTRIDGE (13) with clean water to remove any debris
- Replace all parts in opposite order as described above

IMPORTANT: The PACKING NUT (12) must be securely tightened to prevent leaking. The tightening torque shall be 70-90 lbs.-in. If CARTRIDGE (13) is overtightened, CARTRIDGE (13) may not function properly including possible damage to CARTRIDGE (13).



IMPORTANT: Once SPRAY-FACE (8d) is removed **DO NOT** operate water through SPRAYHEAD (8) as internal damage may be done to SPRAYHEAD (8)

