

DESCRIPTION

- Brass Construction
- 3 Function / 6 Function Transfer Valve
- 1/2" CC/IPS, PEX and Cold Expansion PEX Connections


OPERATION

- Detents at each flow position
- The valve is factory set for 2 showering devices but can be adjusted to accommodate 3 showering devices
- Functionality: 2 independent / 1 shared or 3 independent / 3 shared

CARTRIDGE

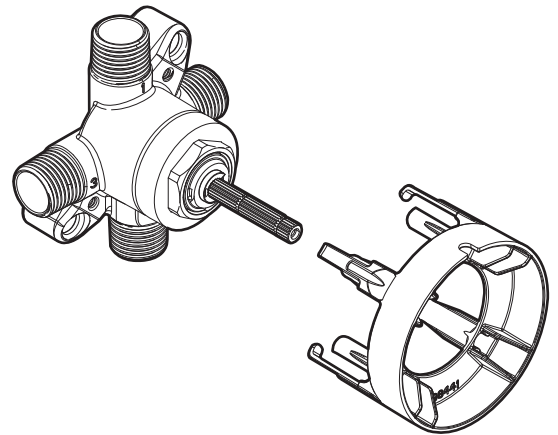
- Ceramic disk cartridge

STANDARDS

- Third party certified to meet ASME A112.18/CSA B125.1 and all applicable requirements therein
- ADA  for lever handle

WARRANTY

- Lifetime limited warranty against leaks, drips and finish defects to the original homeowner
 - 10 year limited warranty when used in a multifamily installation
 - 5 year limited warranty when used in a commercial installation
- Visit www.moen.com/support for complete details and limitations



M-CORE™

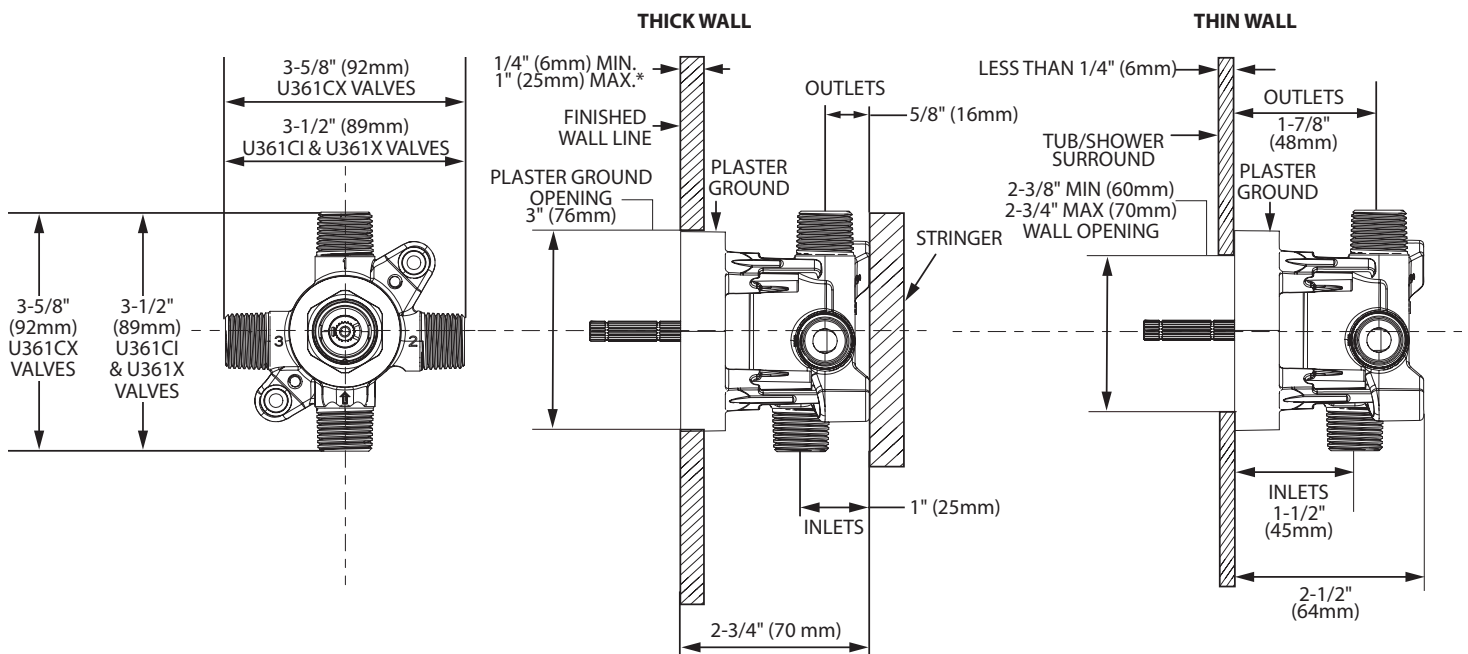
**3 Function (2 independent / 1 shared) or
6 Function (3 independent / 3 shared)
Transfer Valve**

Model

U361CI
U361X
U361CX

Connection

CC IPS
PEX
Cold Expansion PEX



* Walls thicker than 1" (25mm) require optional extension kit.

CRITICAL DIMENSIONS

(DO NOT SCALE)