

KWT310-33/18

33 Inch Dual Mount Workstation Single Bowl Stainless Steel Kitchen Sink

Kräus®

SPECIFICATION SHEET

Sink Dimensions

Overall Dimensions: 33" x 22"

Bowl Dimensions: 31" x 16"

Sink Depth: 9"

Features

- 18 Gauge Stainless Steel Construction
- Dual Mount Installation
- Single Bowl Sink
- Required Minimum Cabinet Size: 36" Left to Right
24" Front to Back
- Rear Off-Set Drain
- 3 1/2" Drain Opening
- NoiseDefend Undercoating and Sound Dampening Pads

Accessories Included

- Strainer ST-1
- Cover Cap STC-2
- Bottom Grid KBG-UN1-33
- Cutting Board KCB-WS103AC
- Colander CS-6
- Soap Dispenser Hole Cap KP22189
- Top Mount Cut-Out Template
- Top Mount Hardware

Optional Accessories

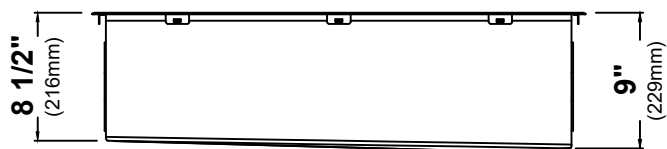
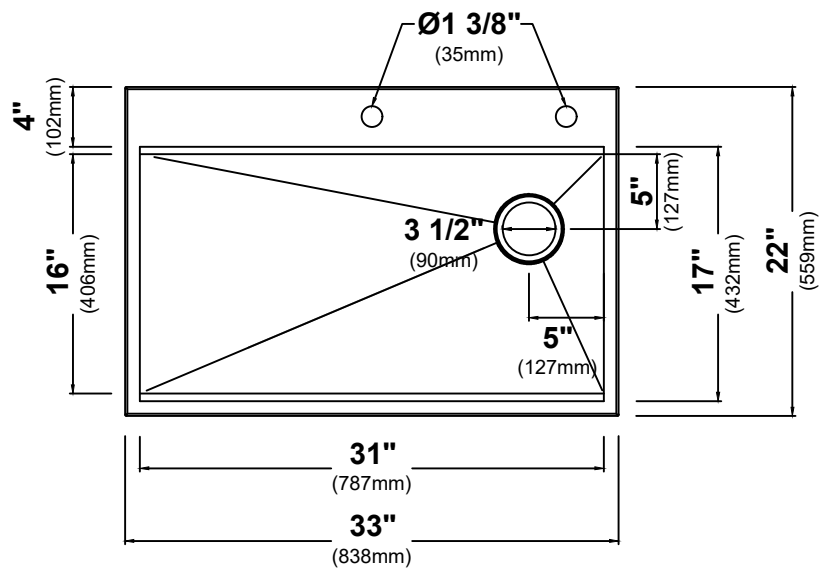
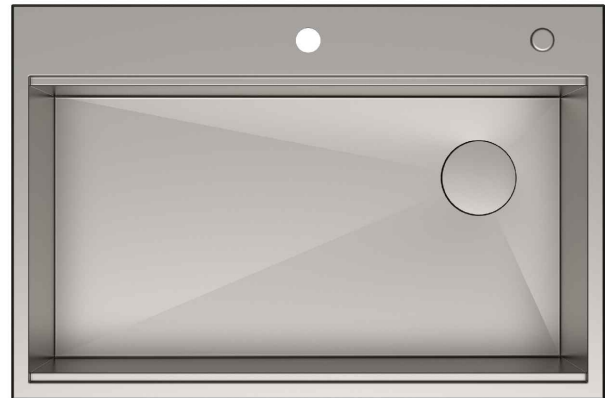
- Undermount Cut-Out Template
- Undermount Hardware

CODES/STANDARDS:

Product Certification

cUPC (ASME A112.19.3/CSA B45.4)

NOTE: Maximum countertop thickness for Top Mount installation is 1 1/2".



Warranty

Kraus Limited Lifetime Warranty

see website for details www.kraususa.com

Kraus USA Customer Service

1.800.775.0703 | customerservice@kraususa.com

REV. August 5, 2020